

B3Round 4836 Acrylic Configurable Shower Base

Model number:

410003

Dimensions: 47.875" x 35.875" x 4"

Installation:

Material: Acrylic

Standard Features:

- Acrylic rectangular shower base with round drain
- Smooth floor
- Center drain
- Certain configurations available with Stabili-T anti-slip bottom meeting ADA, ANSI or CSA standards
- Drain not included
- 3" threshold base

Product characteristics:

- Made in North America
- Utile Compatible
- Bestseller

Warranty:

25 Years



Standard Colors:



White (001)



Bone (004)



Biscuit (007)

Certifications

MAAX products adhere to one or more of the following certifications:



Recommended products (Visit our website for a complete list of our recommended products)

| No | Description |
|---------------------------------|--|
| <input type="checkbox"/> 136671 | Reveal 71 44-47 x 71 ½ in. 8mm Pivot Shower Door for Alcove Installation |
| <input type="checkbox"/> 138465 | Vela 44 ½-47 x 78 ¾ in. 8mm Sliding Shower Door with Towel Bar for Alcove Installation |
| <input type="checkbox"/> 137504 | Edge Duo 42 x 75 in. 8 mm Pivot Shower Shield |

B3Round 4836 Acrylic Configurable Shower Base

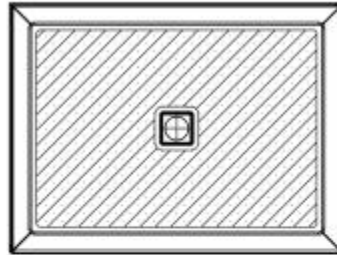
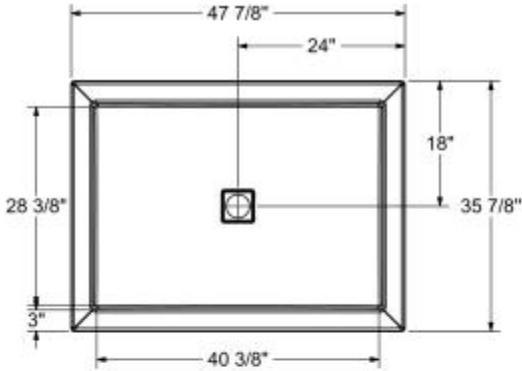
Model number:

410003

Dimensions: 47.875" x 35.875" x 4"

Installation:

Material: Acrylic



The hatched area represent the anti-slip surface

Dimensions

48 x 36 x 4 In.
(1216 x 911 x 102 mm)

Weight

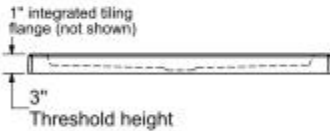
47 lbs - 21.32 kg

Shape

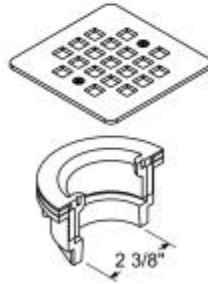
Rectangular

Drain location:

Center



DRAIN INCLUDED ON B3 SQUARE ONLY



This technical drawing is universal for every 4836 configuration.

Integrated tiling flange : 1" height x 1/4" thick (not shown)
Tiling flange position is determined by chosen configuration.

All dimensions are approximate. Structure measurements must be verified against the unit to ensure proper fit.

Project:

Contractor:

Representative:

Date:

Tel:

Notes: