

# B3Round 4832 Acrylic Configurable Shower Base

**Model number:**

410001

**Dimensions:** 47.875" x 31.875" x 4"

**Installation:**

**Material:** Acrylic

## Standard Features:

- Acrylic rectangular base with round drain
- Smooth floor
- Center drain
- Certain configurations available with Stabili-T anti-slip bottom meeting ADA, ANSI or CSA standards
- Drain not included
- 3" threshold base

## Product characteristics:

- Made in North America
- Utile Compatible
- Bestseller

## Warranty:

25 Years



## Standard Colors:



White (001)



Bone (004)



Biscuit (007)

## Certifications

MAAX products adhere to one or more of the following certifications:



## Recommended products (Visit our website for a complete list of our recommended products)

No	Description
<input type="checkbox"/> 134674	Kameleon SC 43-47 x 71 in. 8 mm Sliding Shower Door for Alcove Installation
<input type="checkbox"/> 137504	Edge Duo 42 x 75 in. 8 mm Pivot Shower Shield
<input type="checkbox"/> 138992	Luminescence 44 1/2-47 x 70 1/2-72 in. 6mm Sliding Shower Door for Alcove Installation

# B3Round 4832 Acrylic Configurable Shower Base

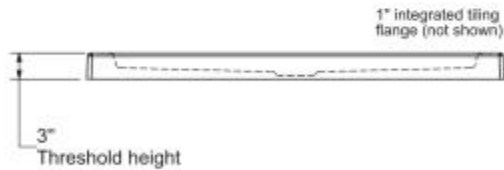
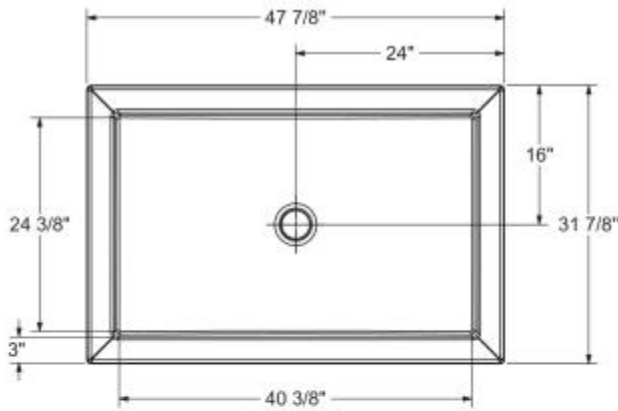
**Model number:**

410001

**Dimensions:** 47.875" x 31.875" x 4"

**Installation:**

**Material:** Acrylic



## Dimensions

48 x 32 x 4 In.  
(1216 x 810 x 102 mm)

## Weight

41 lbs - 18.59 kg

## Shape

Rectangular

## Drain location:

Center

This technical drawing is universal for every 4832 configuration.

Integrated tiling flange : 1" height x 1/4" thick (not shown)  
Tiling flange position is determined by chosen configuration.

All dimensions are approximate. Structure measurements must be verified against the unit to ensure proper fit.

Project:

Contractor:

Representative:

Date:

Tel:

Notes: