

B3Round 3636 Acrylic Configurable Shower Base

Model number:

410000

Dimensions: 35.875" x 35.875" x 4"

Installation:

Material: Acrylic

Standard Features:

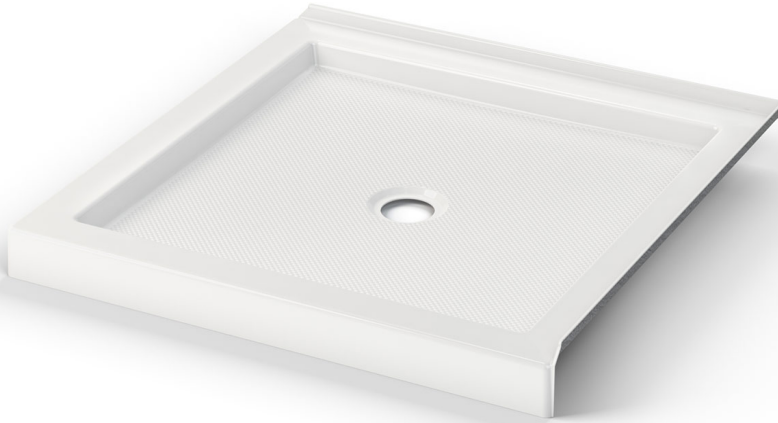
- Acrylic square base with round drain
- Smooth floor
- Center drain
- Certain configurations available with Stabili-T anti-slip bottom meeting ADA, ANSI or CSA standards
- Drain not included
- 3" threshold base

Product characteristics:

- Made in North America
- Low Threshold
- Bestseller

Warranty:

25 Years



Standard Colors:



White (001)



Bone (004)



Biscuit (007)

Certifications

MAAX products adhere to one or more of the following certifications:



Recommended products (Visit our website for a complete list of our recommended products)

No	Description
<input type="checkbox"/> 136450	Kleara 2-panel 33 ½-36 ½ x 69 in. 6mm Pivot Shower Door for Alcove Installation
<input type="checkbox"/> 136676	Reveal 71 32 ½-35 ½ x 71 ½ in. 8mm Pivot Shower Door for Alcove Installation
<input type="checkbox"/> 105417	Madono 31 ½-33 ½ x 67 in. 6mm Pivot Shower Door for Alcove Installation

B3Round 3636 Acrylic Configurable Shower Base

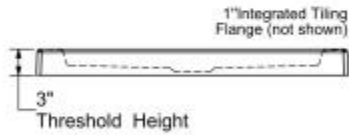
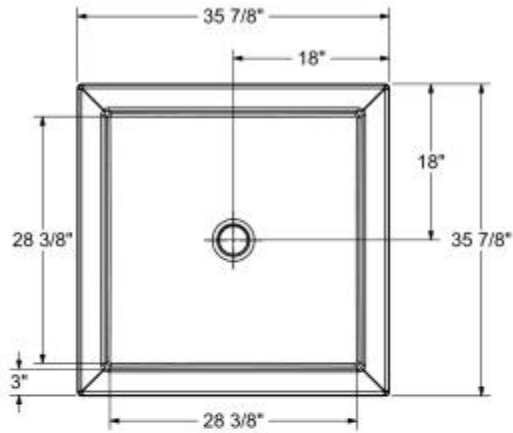
Model number:

410000

Dimensions: 35.875" x 35.875" x 4"

Installation:

Material: Acrylic



Dimensions

36 x 36 x 4 In.
(911 x 911 x 102 mm)

Weight

35 lbs - 15.87 kg

Shape

Square

Drain location:

Center

This technical drawing is universal for every 3636 configuration.

Integrated tiling flange : 1" height x 1/4" thick (not shown)
Tiling flange position is determined by chosen configuration.

All dimensions are approximate. Structure measurements
must be verified against the unit to ensure proper fit.

Project:

Contractor:

Representative:

Date:

Tel:

Notes: