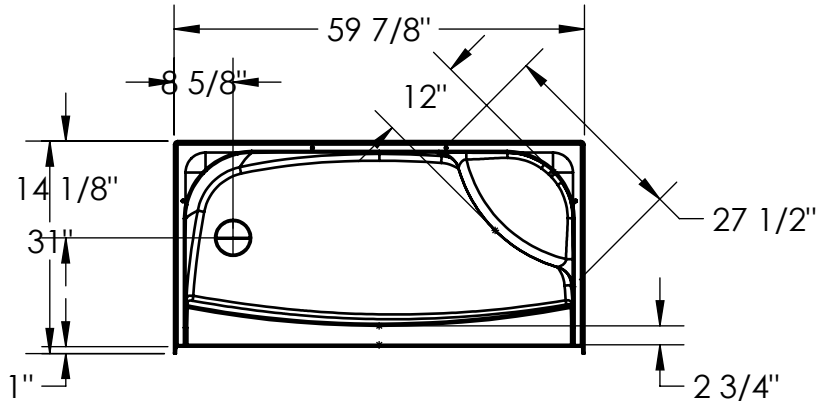
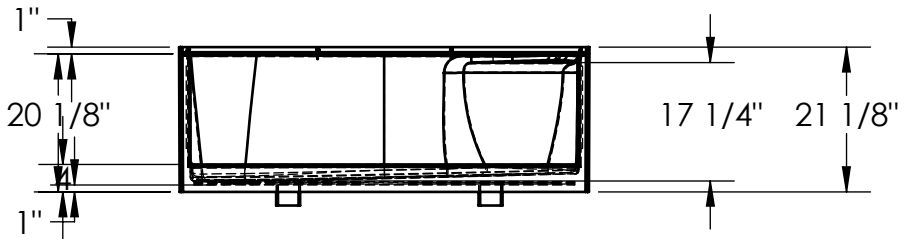


**RIGHT SEAT SHOWN
LEFT SEAT SYMMETRICAL**



NOT ABOVE THE FLOOR



All dimensions are approximate. Structure measurements must be verified against the unit to ensure proper fit.