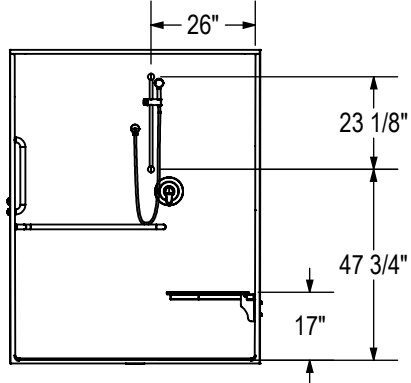
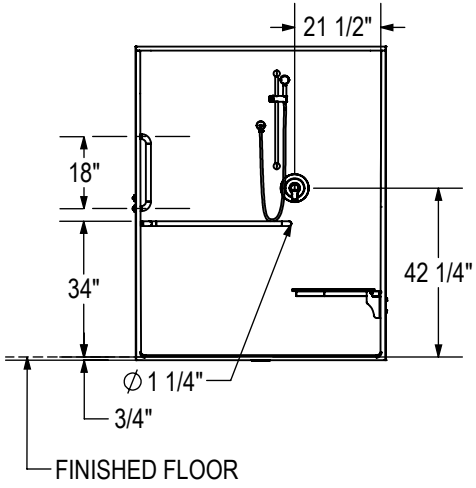
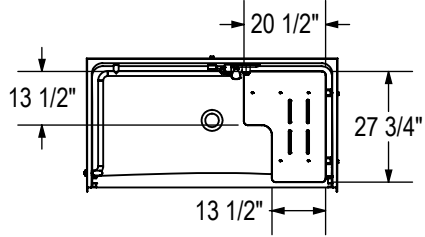
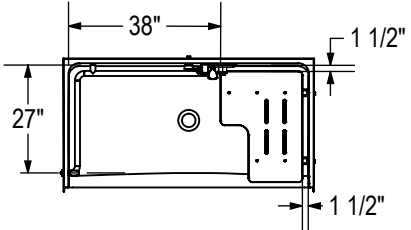


ANSI COMPLIANT MODEL
 LEFT SIDE SHOWN
 RIGHT SIDE SYMMETRICAL



All dimensions are approximate. Structure measurements must be verified against the unit to ensure proper fit.