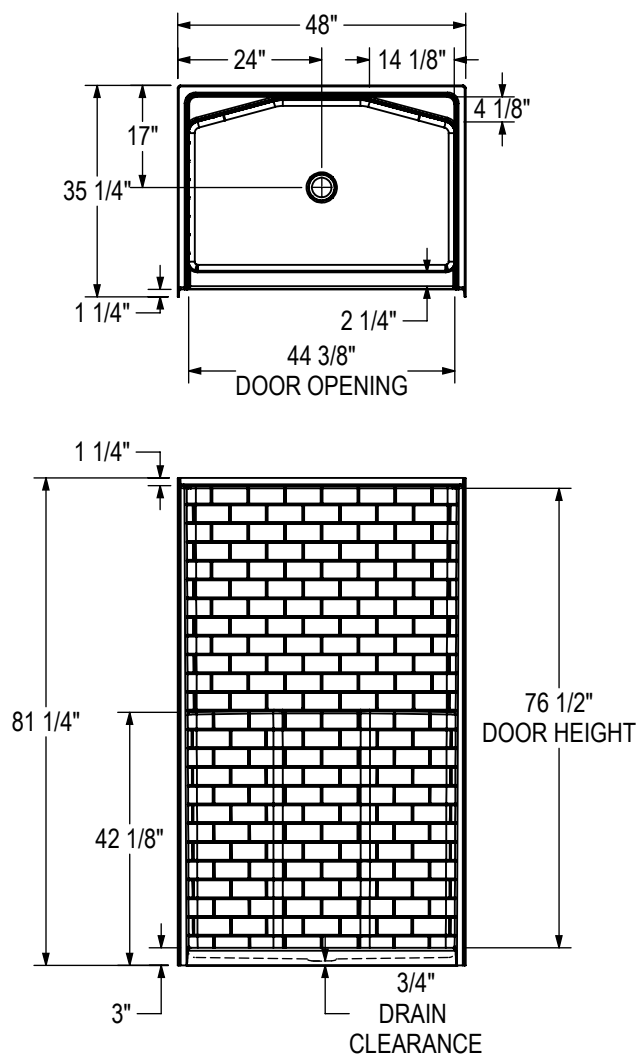
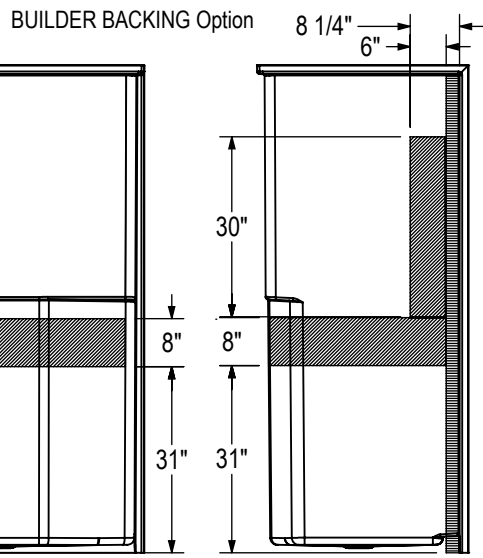


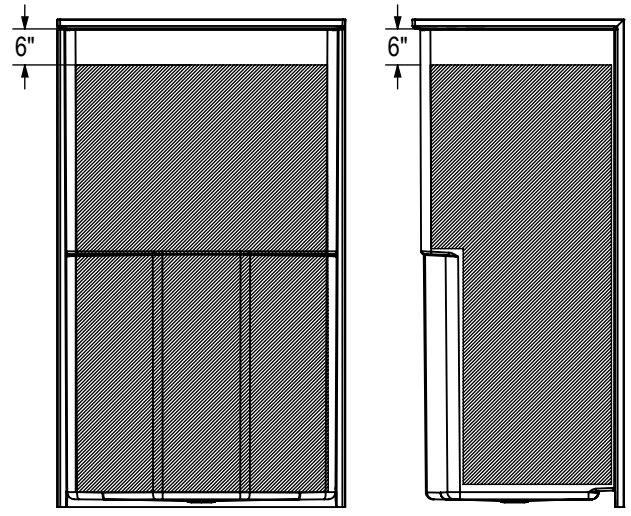
# STANDARD MODEL



# REINFORCEMENT BACKING



# FULL WALL Reinforcement Option SINGLE WALL Reinforcement Option



All dimensions are approximate. Structure measurements must be verified against the unit to ensure proper fit.