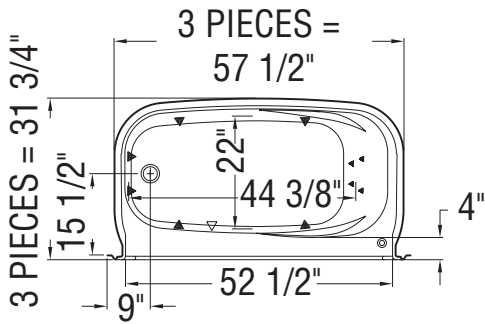
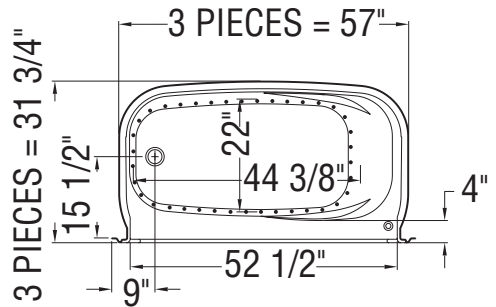


MICRO-JETS SYSTEM



AIR SYSTEM



- (▲): Indicates whirlpool and backjets positioning
- (△): Indicates suction positioning
- (●): Indicates airjets positioning

All dimensions are approximate. Structure measurements must be verified against the unit to ensure proper fit.