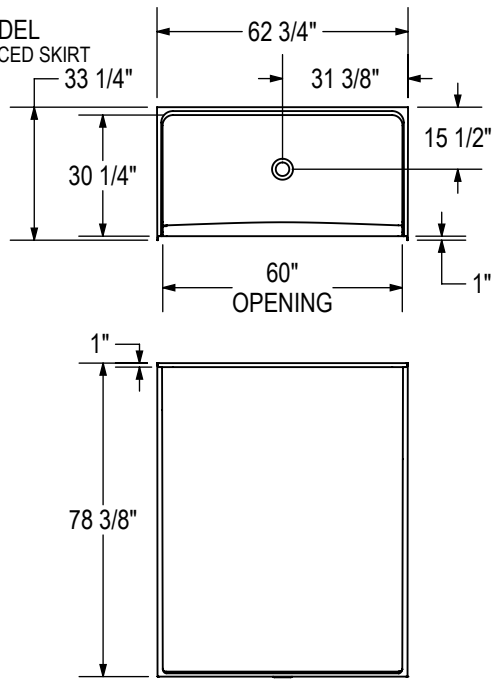
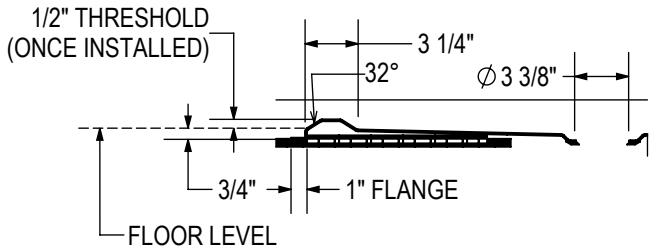


**BASE MODEL WITH REDUCED SKIRT**

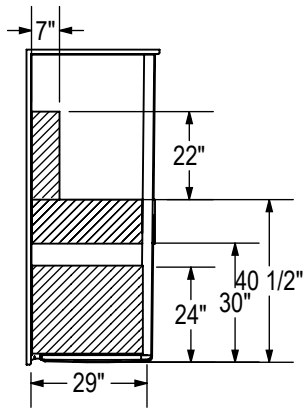


**THRESHOLD DETAIL (REDUCED SKIRT)**

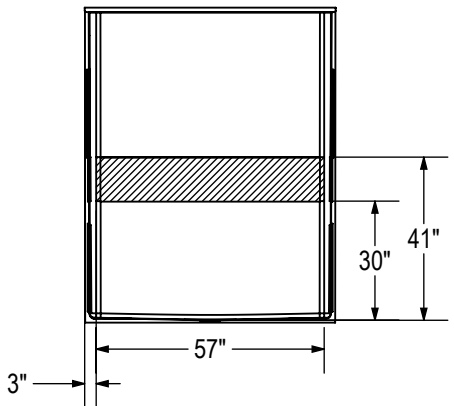


**REINFORCEMENT BACKING**

RIGHT WALL SHOWN  
LEFT WALL SYMMETRICAL



BACK WALL



**All dimensions are approximate. Structure measurements must be verified against the unit to ensure proper fit.**