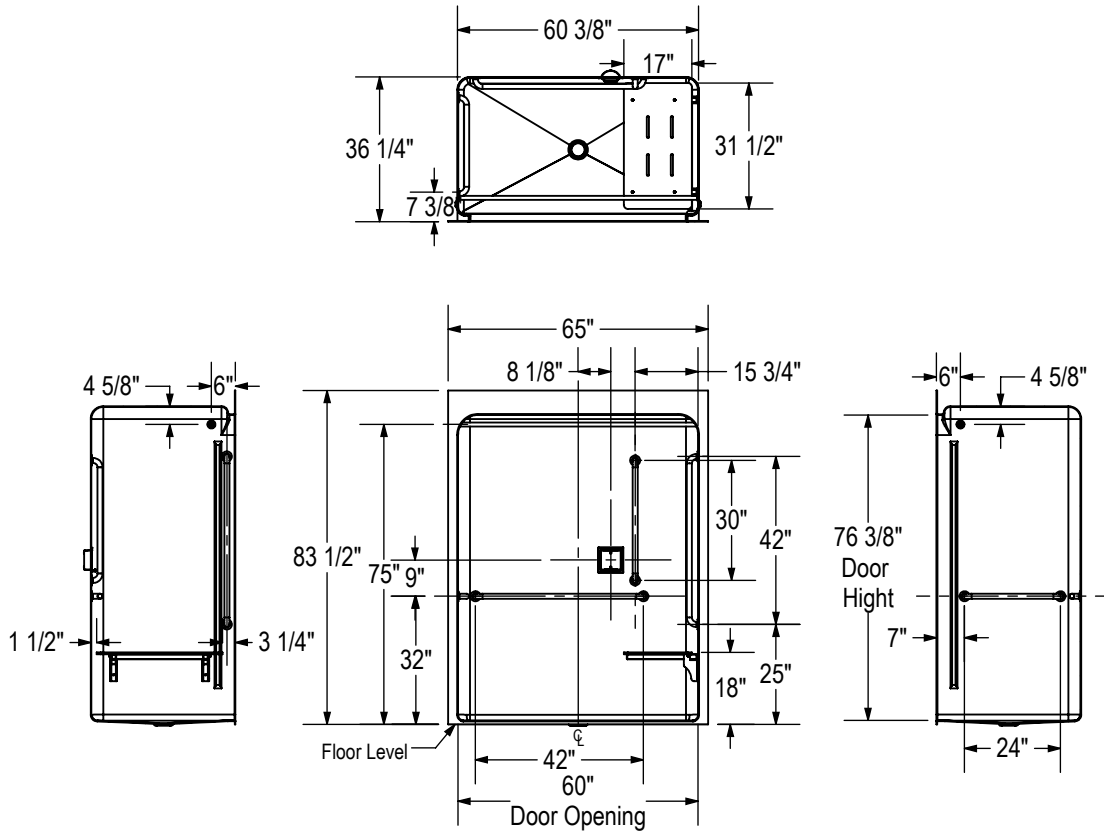


BASE MODEL, CSA COMPLIANT

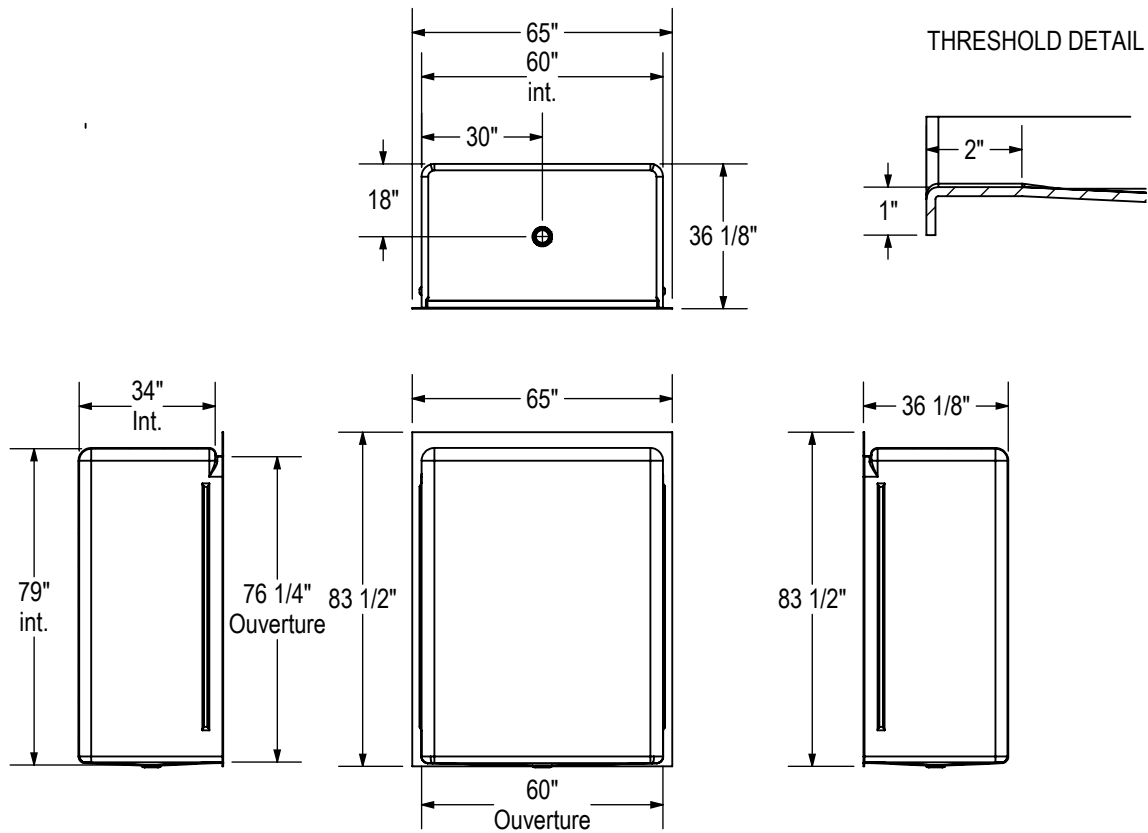
Right side shown

Left side symmetrical



All dimensions are approximate. Structure measurements must be verified against the unit to ensure proper fit.

BASE MODEL



All dimensions are approximate. Structure measurements must be verified against the unit to ensure proper fit.