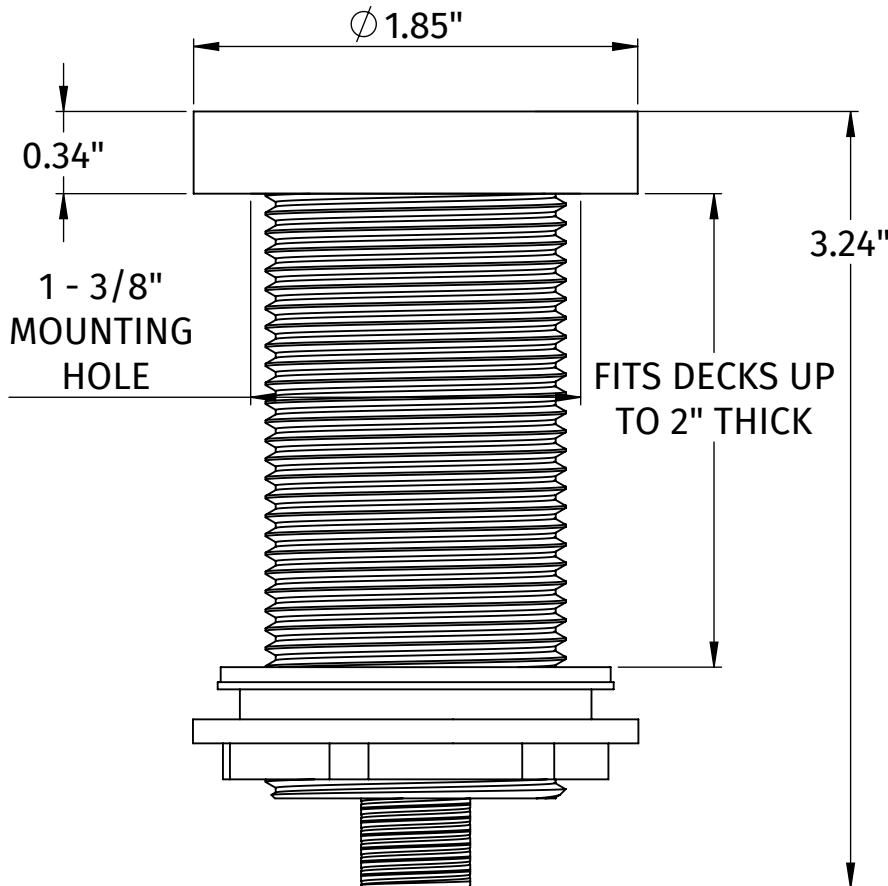


MT958

REPLACEMENT ROUND "DELUXE" FLUSH WASTE DISPOSER AIR SWITCH BUTTON

SPECIFICATION SHEET



- REQUIRES $\phi 1 - 3/8''$ MOUNTING HOLE
- WILL FIT UP TO 2" THICK DECK
- AIR ACTUATED
- BOX MOUNTING HARDWARE AND AIR HOSE NOT INCLUDED
- REPLACEMENT AIR SWITCH FOR MT957, MT951, MT953, AND OTHER MANUFACTURERS
- NO TOOLS REQUIRED FOR INSTALLATION
- SOLID BRASS CONSTRUCTION

WARRANTY

FOR WARRANTY INFO PLEASE VISIT WWW.MOUNTAINPLUMBING.COM/PAGE/RESOURCES/WARRANTY

FINISH CARE & MAINTENANCE

NEVER USE ANY HARSH ALKALI, ACID BASED DETERGENTS OR CLEANERS SUCH AS SOFT SCRUB®, SCRUBBING BUBBLES® OR COMET® TO CLEAN. DO NOT USE BRILLO® OR SCOTCH BRITE® PADS. THESE WILL ALL HARM THE FINISH. TO CLEAN, USE ONLY A DAMP SOFT CLOTH AND WIPE GENTLY. STANDARD WINDEX® CAN ALSO BE USED SPARINGLY. IT IS NOT NECESSARY TO WIPE HARD TO REMOVE SPOTS. TO MAINTAIN THE FINISH, WIPE WITH A SOFT DRY CLOTH AFTER USE. AN OCCASIONAL COAT OF PURE CARNAUBA WAX WITHOUT CLEANERS WILL HELP PROTECT THE FINISH.

SPECIFICATIONS SUBJECT TO CHANGE WITHOUT NOTICE