

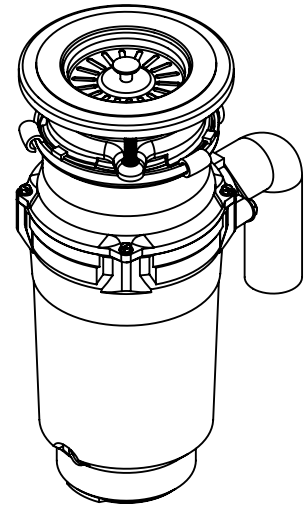
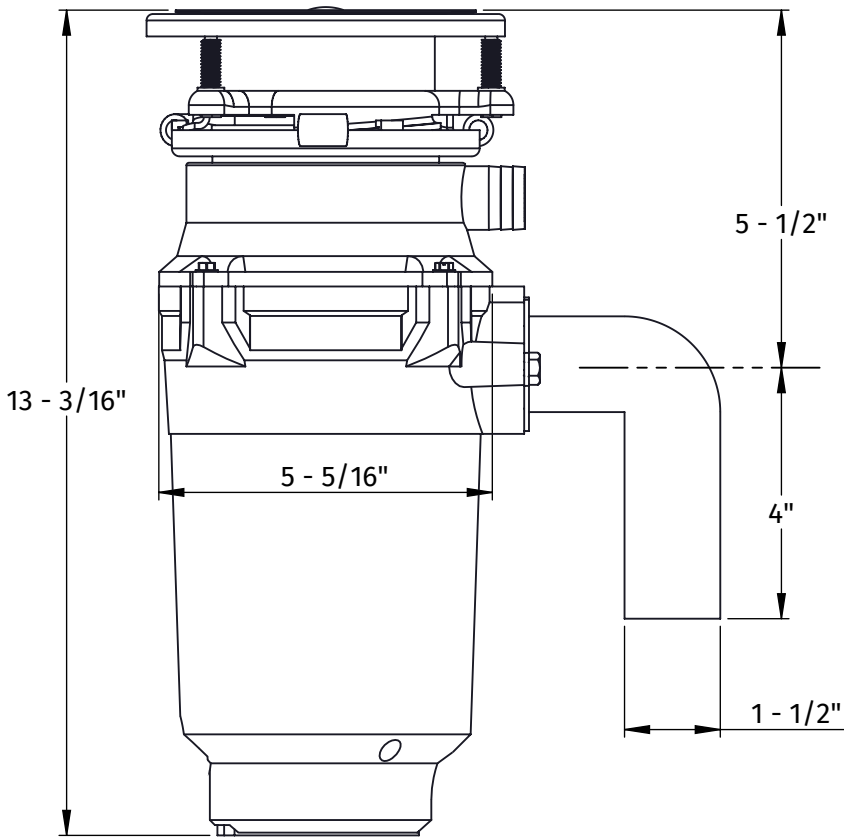
STEALTH750

3/4 HP CONTINUOUS FEED FOOD WASTE DISPOSER



A McAlpine Company
Mountain
Plumbing Products

SPECIFICATION SHEET



SPECIFICATIONS

HP	3/4
Motor Type	Permanent Magnet
Feed	Continuous
Volts	110V
Frequency	50/60 Hz
Wattage	550 W
Amperage	5.0A
Motor Speed	3600 RPM
Hopper Capacity	29 oz
Balance Level	G 0.4
Turntable	Stainless Steel
Grind Rings	Stainless Steel
Sink Flange	Stainless Steel
Stopper	Stainless Steel
Drain Elbow	ABS
Bearings	Permanently Lubricated, Sleeve Type
Manual Reset Protector	Protection for Overload & Temp
Shipping Weight	11.5 lb

FEATURES:

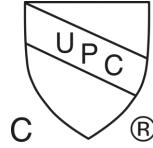
- Permanent Magnet High RPM Means High Torque & Fewer Jams
- Removable Splash Guard
- Stainless Steel Turntable & Grind Rings (Compared to Competitor's Cold-Rolled or Galvanized Steel)
- Factory Installed Power Cord with Plug
- Safe for Properly Sized Septic Tanks
- 3-Bolt Mounting System

WARRANTY

THE 3/4 HP MOUNTAIN PERFECT GRIND WASTE DISPOSER COMES WITH A LIFETIME WARRANTY AGAINST ANY MECHANICAL OR MATERIAL DEFECT. IN ADDITION TO THE ABOVE WARRANTY, ALL PERFECT GRIND DISPOSERS COME WITH A LIFETIME WARRANTY AGAINST CORROSION. LABOR NOT INCLUDED.

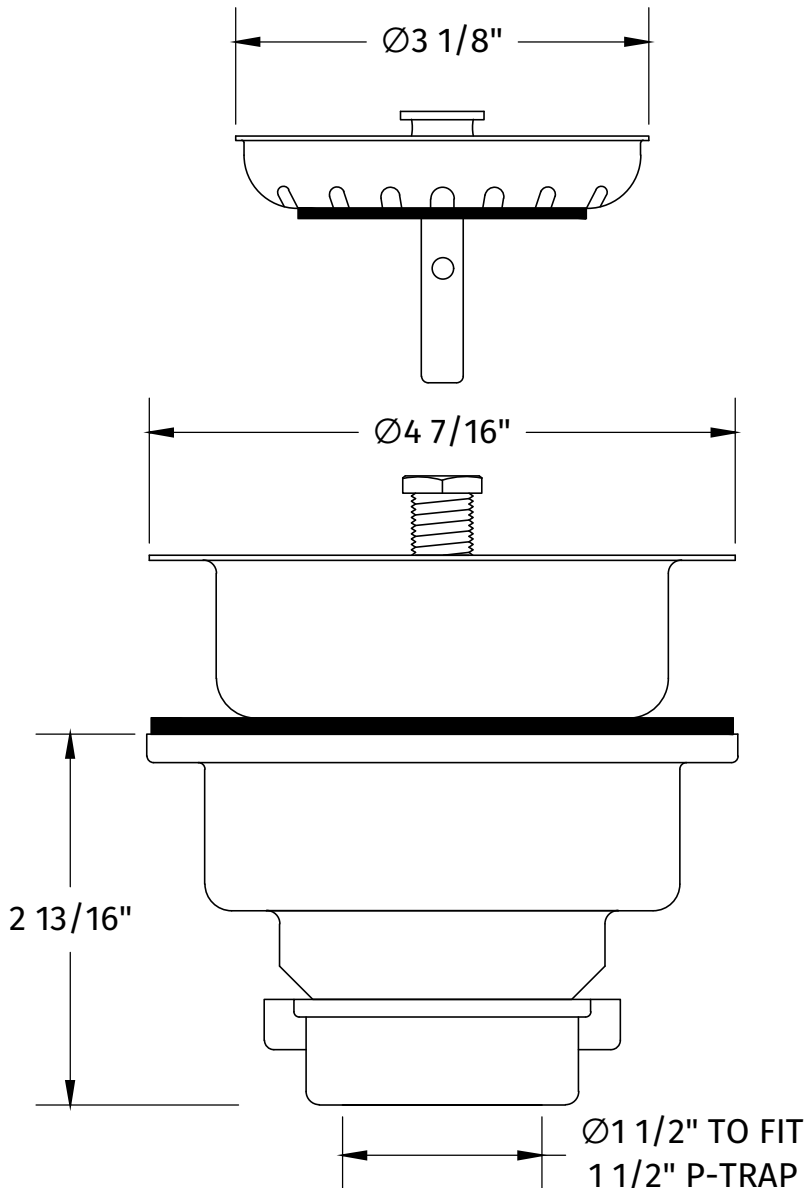
MT300

3-1/2" DELUXE STEMBALL KITCHEN SINK STRAINER



A McAlpine Company
Mountain
Plumbing Products

SPECIFICATION SHEET



- WILL FIT STANDARD Ø3 1/2" DRAIN OPENING
- BRASS OR STAINLESS STEEL FLANGE DEPENDING ON FINISH
- POLYPROPYLENE STRAINER BODY WON'T CORRODE
- SPRING-LOADED STAINLESS STEEL POST ALLOWS FOR SMOOTH OPERATION
- FITS SINKS UP TO 1-3/16" THICK (FOR THICKER SINKS, ORDER BRBOLT/90 TO ALLOW UP TO 2 3/4" THICKNESS)

WARRANTY

FOR WARRANTY INFO PLEASE VISIT WWW.MOUNTAINPLUMBING.COM/PAGE/RESOURCES/WARRANTY

FINISH CARE & MAINTENANCE

NEVER USE ANY HARSH ALKALI, ACID BASED DETERGENTS OR CLEANERS SUCH AS SOFT SCRUB®, SCRUBBING BUBBLES® OR COMET® TO CLEAN. DO NOT USE BRILLO® AND SCOTCH BRITE® PADS. THESE WILL ALL HARM THE FINISH. TO CLEAN, USE ONLY A DAMP SOFT CLOTH AND WIPE USING A SOFT CLOTH. STANDARD WINDEX® CAN ALSO BE USED SPARINGLY. IT IS NOT NECESSARY TO WIPE HARD TO REMOVE SPOTS. TO MAINTAIN THE FINISH, WIPE WITH A SOFT DRY CLOTH AFTER USE. AN OCCASIONAL COAT OF PURE CARNAUBA WAX WITHOUT CLEANERS WILL HELP PROTECT THE FINISH.

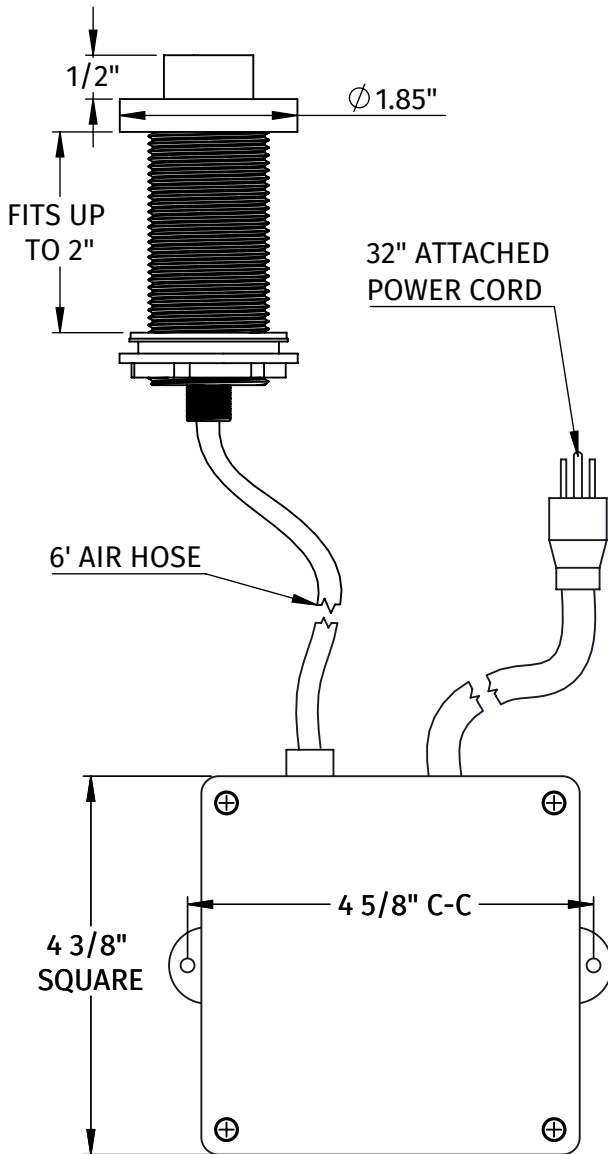
SPECIFICATIONS SUBJECT TO CHANGE WITHOUT NOTICE

MT957R

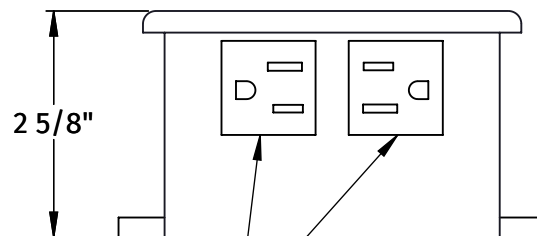
ROUND "DELUXE" RAISED WASTE DISPOSER AIR SWITCH WITH FREEDOM MOUNT



SPECIFICATION SHEET



- REQUIRES $\phi 1 - 3/8"$ MOUNTING HOLE
- WILL FIT UP TO 2" THICK DECK
- FREEDOM TO MOUNT BOX ANYWHERE
- UL APPROVED
- AIR ACTUATED
- BOX MOUNTING HARDWARE NOT INCLUDED



ALTERNATING OUTLETS LOCATED
ON BOTTOM SIDE OF BOX

WARRANTY

FOR WARRANTY INFO PLEASE VISIT WWW.MOUNTAINPLUMBING.COM/PAGE/RESOURCES/WARRANTY

FINISH CARE & MAINTENANCE

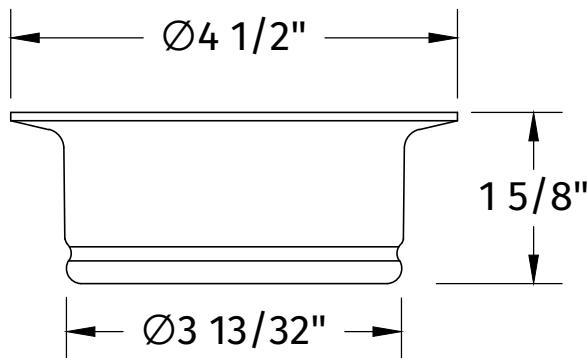
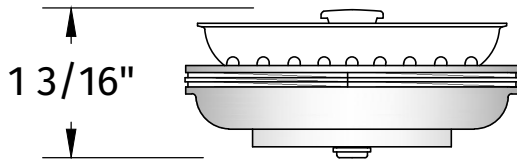
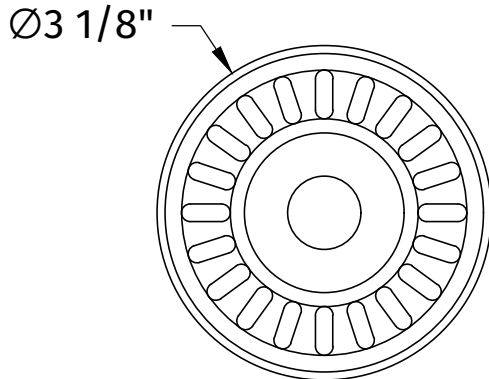
NEVER USE ANY HARSH ALKALI, ACID BASED DETERGENTS OR CLEANERS SUCH AS SOFT SCRUB®, SCRUBBING BUBBLES® OR COMET® TO CLEAN. DO NOT USE BRILLO® OR SCOTCH BRITE® PADS. THESE WILL ALL HARM THE FINISH. TO CLEAN, USE ONLY A DAMP SOFT CLOTH AND WIPE GENTLY. STANDARD WINDEX® CAN ALSO BE USED SPARINGLY. IT IS NOT NECESSARY TO WIPE HARD TO REMOVE SPOTS. TO MAINTAIN THE FINISH, WIPE WITH A SOFT DRY CLOTH AFTER USE. AN OCCASIONAL COAT OF PURE CARNAUBA WAX WITHOUT CLEANERS WILL HELP PROTECT THE FINISH.

SPECIFICATIONS SUBJECT TO CHANGE WITHOUT NOTICE

MT200EV

WASTE DISPOSER TRIM WITH STOPPER / STRAINER

SPECIFICATION SHEET



- INTENDED FOR CONTINUOUS FEED 3-BOLT MOUNT DISPOSERS WITH 3 3/8" I.D.
- WILL FIT A SINK UP TO 5/8" THICK
- COMPATIBLE WITH THE FOLLOWING DISPOSERS:
 - MOUNTAIN PLUMBING PERFECT GRIND® 3-BOLT MOUNT
 - INSINKERATOR (ISE) OLD & NEW MODELS
 - FRANKE 3-BOLT MOUNT
 - KENMORE
 - WHIRLPOOL
 - KITCHENAID
 - MOEN

WARRANTY

FOR WARRANTY INFO PLEASE VISIT WWW.MOUNTAINPLUMBING.COM/PAGE/RESOURCES/WARRANTY

FINISH CARE & MAINTENANCE

NEVER USE ANY HARSH ALKALI, ACID BASED DETERGENTS OR CLEANERS SUCH AS SOFT SCRUB®, SCRUBBING BUBBLES® OR COMET® TO CLEAN. DO NOT USE BRILLO® AND SCOTCH BRITE® PADS. THESE WILL ALL HARM THE FINISH. TO CLEAN, USE ONLY A DAMP SOFT CLOTH AND WIPE USING A SOFT CLOTH. STANDARD WINDEX® CAN ALSO BE USED SPARINGLY. IT IS NOT NECESSARY TO WIPE HARD TO REMOVE SPOTS. TO MAINTAIN THE FINISH, WIPE WITH A SOFT DRY CLOTH AFTER USE. AN OCCASIONAL COAT OF PURE CARNAUBA WAX WITHOUT CLEANERS WILL HELP PROTECT THE FINISH.

SPECIFICATIONS SUBJECT TO CHANGE WITHOUT NOTICE