

# MT3K-HF

## MOUNTAIN PURE® FULL FLOW FILTER SYSTEM



### SPECIFICATION SHEET

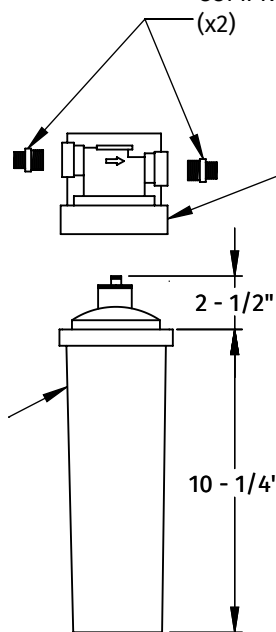
20" BRAIDED HOSE W/  
3/8" COMPRESSION  
CONNECTIONS

3/8" NPT TO 3/8"  
COMPRESSION ADAPTER  
(x2)

FILTER HEAD W/  
MOUNTING BRACKET

MT3K-HF/RFC  
(REPLACEMENT FILTER  
CARTRIDGE)

MOUNTING  
SCREWS x2  
(#12 X 5/8")

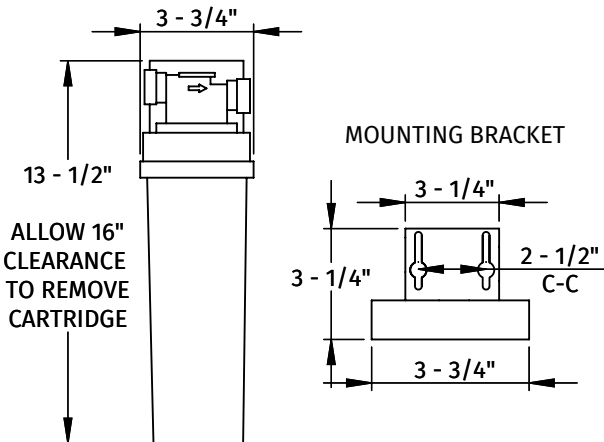


#### NSF CERTIFIED TO REMOVE THE FOLLOWING IMPURITIES:

- LEAD
- SEDIMENT
- ALGAE
- FOUL ODORS & TASTES
- IRON
- MOLDS
- RUST

#### ADDITIONAL IMPURITIES

- REMOVED:**
- VOC
  - PESTICIDES
  - HYDROGEN SULFIDE
  - ALUMINUM CHLORINE
  - TURBIDITY
  - PATHOGENIC CYSTS
  - TRICHALOMETHANES
  - PATHOGENIC BACTERIA
  - ASBESTOS FIBERS
  - SUSPENDED SOLIDS
  - SUB-MICRON ASBESTOS
  - MTBE



- **FLOW RATE:** CONTROLLED AT 1.67 GPM
- **TEMPERATURE:** 35 - 100 °F (2-38 °C) COLD WATER USE ONLY
- **PRESSURE:** 10-125 PSI (0.7-8.6 BAR) NON SHOCK
- **CAPACITY:** 3000 GALLONS (11,356 L)
- 1/4 TURN AUTOMATIC SHUTOFF VALVE ALLOWS FOR EASIER CARTRIDGE CHANGES
- UTILIZES POWDERED ACTIVATED CARBON AND LEAD ABSORBENT MEDIA
- ANTI-MICROBIAL AGENT INCORPORATED TO REDUCE BACTERIA
- ANTI-SCALE MEDIA TO PROTECT AGAINST SCALE BUILD UP IN FAUCET AND HOT TANK (SOLD SEPARATELY)
- 3,000 GALLON CAPACITY (APPROX. 6 MONTHS BASED ON AVERAGE USAGE)
- OPERATES WITHOUT WASTING WATER LIKE R.O. SYSTEMS
- 20" HOSE AND MOUNTING HARDWARE INCLUDED
- NSF CERTIFIED STANDARDS 42 AND 53

#### WARRANTY

FOR WARRANTY INFO PLEASE VISIT [WWW.MOUNTAINPLUMBING.COM/PAGE/RESOURCES/WARRANTY](http://WWW.MOUNTAINPLUMBING.COM/PAGE/RESOURCES/WARRANTY)

#### FINISH CARE & MAINTENANCE

NEVER USE ANY HARSH ALKALI, ACID BASED DETERGENTS OR CLEANERS SUCH AS SOFT SCRUB®, SCRUBBING BUBBLES® OR COMET® TO CLEAN. DO NOT USE BRILLO® OR SCOTCH BRITE® PADS. THESE WILL ALL HARM THE FINISH. TO CLEAN, USE ONLY A DAMP SOFT CLOTH AND WIPE GENTLY. STANDARD WINDEX® CAN ALSO BE USED SPARINGLY. IT IS NOT NECESSARY TO WIPE HARD TO REMOVE SPOTS. TO MAINTAIN THE FINISH, WIPE WITH A SOFT DRY CLOTH AFTER USE. AN OCCASIONAL COAT OF PURE CARNAUBA WAX WITHOUT CLEANERS WILL HELP PROTECT THE FINISH.

SPECIFICATIONS SUBJECT TO CHANGE WITHOUT NOTICE