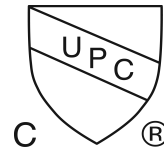


MT304X

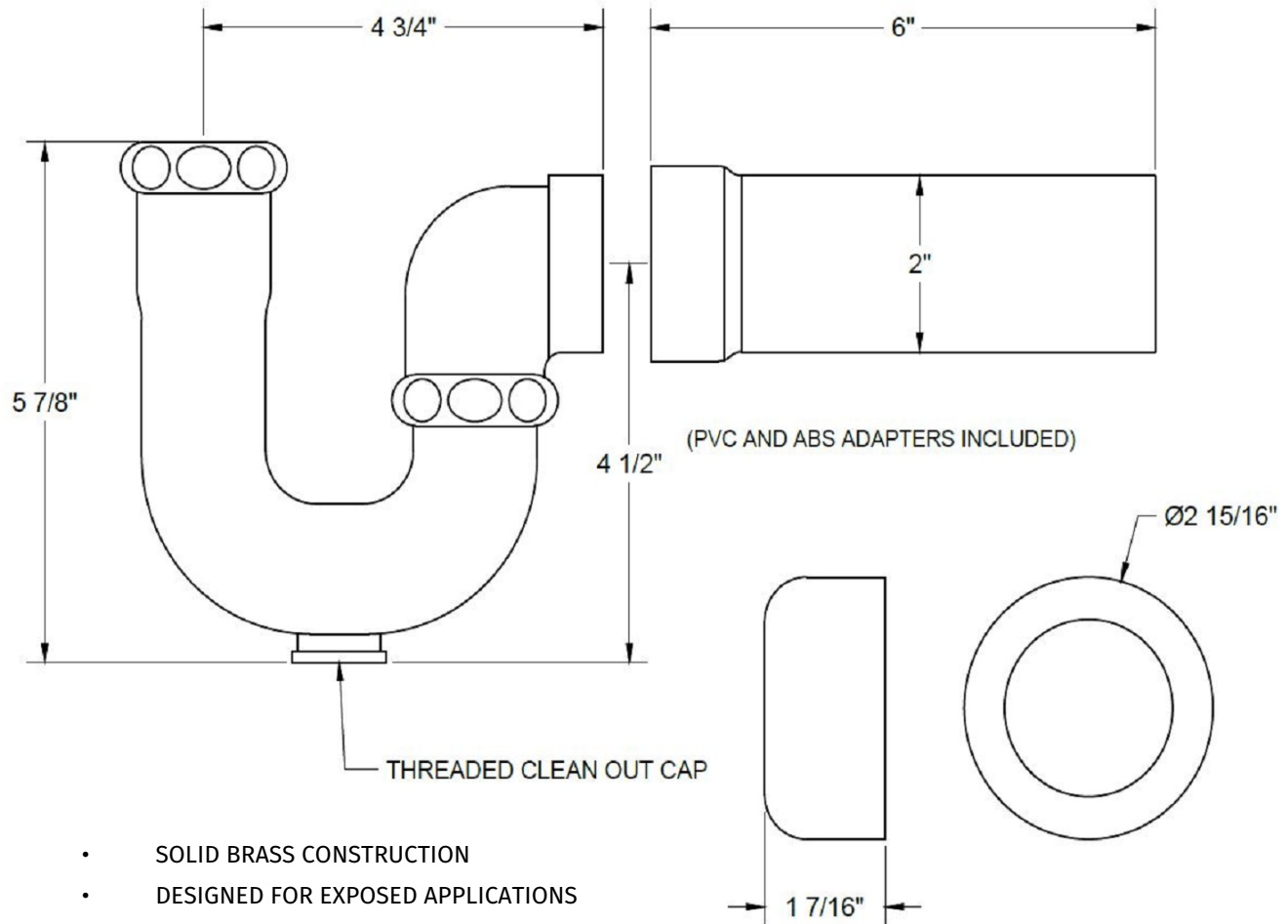
1-1/2" P-TRAP
NEW ENGLAND/MASSACHUSETTS

SPECIFICATION SHEET



A McAlpine Company

Mountain
Plumbing Products



- SOLID BRASS CONSTRUCTION
- DESIGNED FOR EXPOSED APPLICATIONS
- INCLUDES REDUCING WASHER FOR 1-1/4" TAILPIECE
- INCLUDES HIGH BOX FLANGE FOR WALL
- DESIGNED TO MEET REQUIREMENTS OF THE COMMONWEALTH OF MASSACHUSETTS PLUMBING CODES

WARRANTY

FOR WARRANTY INFO PLEASE VISIT WWW.MOUNTAINPLUMBING.COM/PAGE/RESOURCES/WARRANTY

FINISH CARE & MAINTENANCE

NEVER USE ANY HARSH ALKALI, ACID BASED DETERGENTS OR CLEANERS SUCH AS SOFT SCRUB®, SCRUBBING BUBBLES® OR COMET® TO CLEAN. DO NOT USE BRILLO® OR SCOTCH BRITE® PADS. THESE WILL ALL HARM THE FINISH. TO CLEAN, USE ONLY A DAMP SOFT CLOTH AND WIPE GENTLY. STANDARD WINDEX® CAN ALSO BE USED SPARINGLY. IT IS NOT NECESSARY TO WIPE HARD TO REMOVE SPOTS. TO MAINTAIN THE FINISH, WIPE WITH A SOFT DRY CLOTH AFTER USE. AN OCCASIONAL COAT OF PURE CARNAUBA WAX WITHOUT CLEANERS WILL HELP PROTECT THE FINISH.

SPECIFICATIONS SUBJECT TO CHANGE WITHOUT NOTICE