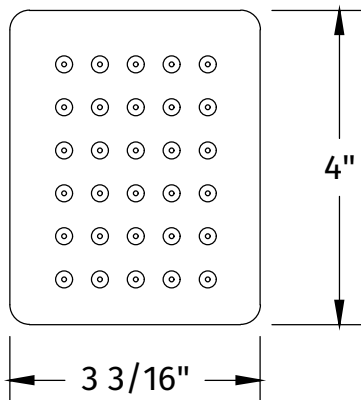
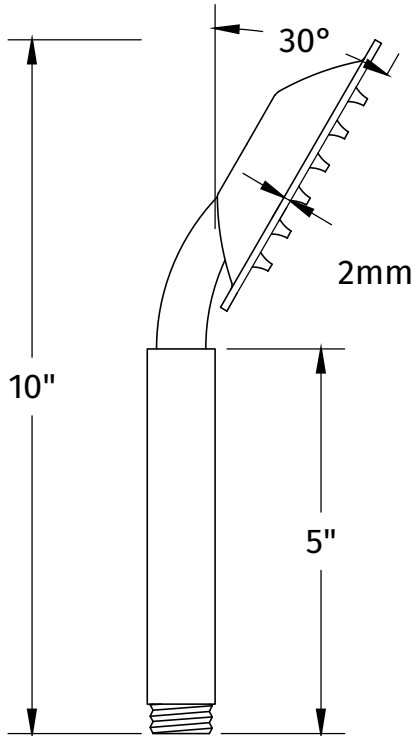


MT11HS

MOUNTAIN RE-VIVE™ SQUARE BENT HAND SHOWER

SPECIFICATION SHEET



- STAINLESS STEEL SEAMLESS CONSTRUCTION
- INLET: 1/2 MALE IPS
- ULTRA SLIM 2.4mm
- ERGONOMIC 30° BEND
- CLOG-FREE NOZZLES
- FEATURES REMOVABLE SILICONE SLEEVE TO PROTECT EDGE
- 1.6 GPM FLOW RATE

WARRANTY

FOR WARRANTY INFO PLEASE VISIT WWW.MOUNTAINPLUMBING.COM/PAGE/RESOURCES/WARRANTY

FINISH CARE & MAINTENANCE

NEVER USE ANY HARSH ALKALI, ACID BASED DETERGENTS OR CLEANERS SUCH AS SOFT SCRUB®, SCRUBBING BUBBLES® OR COMET® TO CLEAN. DO NOT USE BRILLO® AND SCOTCH BRITE® PADS. THESE WILL ALL HARM THE FINISH. TO CLEAN, USE ONLY A DAMP SOFT CLOTH AND WIPE USING A SOFT CLOTH. STANDARD WINDEX® CAN ALSO BE USED SPARINGLY. IT IS NOT NECESSARY TO WIPE HARD TO REMOVE SPOTS. TO MAINTAIN THE FINISH, WIPE WITH A SOFT DRY CLOTH AFTER USE. AN OCCASIONAL COAT OF PURE CARNAUBA WAX WITHOUT CLEANERS WILL HELP PROTECT THE FINISH.

SPECIFICATIONS SUBJECT TO CHANGE WITHOUT NOTICE