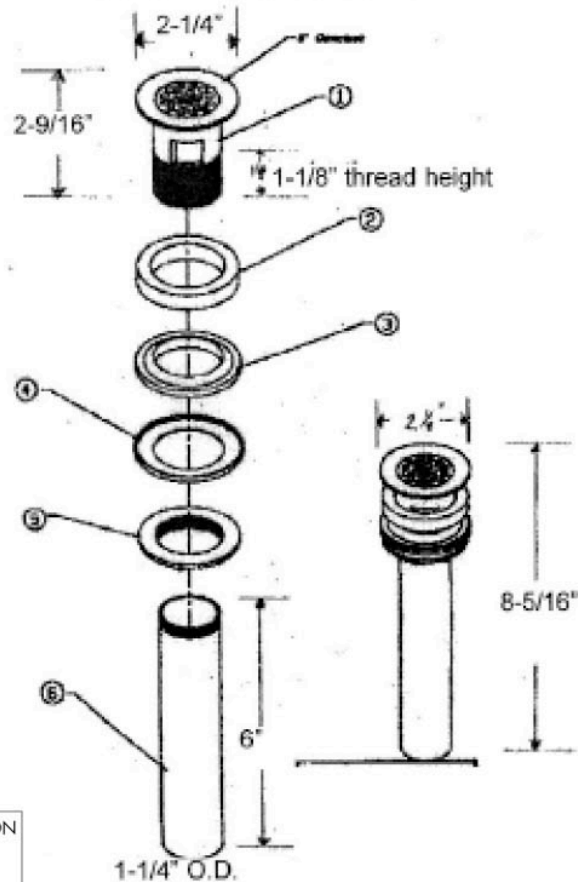


INSTALLATION DIMENSIONS

This model offers you the following features & benefits:

- 19 hole 1-1/4" lavatory drain with overflow
- 2" maximum sink thickness
- Available in over 14 finishes
- Can be used with MT1000 decorative bottle trap
- ASME A1121.18.2 and CSA B125-1 certifid
- Heavy completely plated brass

ITEM	PART NUMBER	DESCRIPTION	MATERIAL	FINISH	QTY
①	4006-01A	WASTE SEAT	BRASS	C.P.	1
②	8000-20	FOAM WASHER	EVA	WHITE	1
③	8009-06	CARBET	RUBBER	BLACK	1
④	4008-04	WASHER	SS41	S.P.	1
⑤	4008-04	NUT	BRASS	C.P.	1
⑥	4005-02	WASTE TUBE 6"	BRASS	C.P.	1



Warranty

*ALL MOUNTAIN PRODUCTS CARRY A 1 YEAR WARRANTY ON ALL WORKING PARTS.(except disposers)

*MOST SPECIAL FINISHES HAVE A 1 YEAR WARRANTY IF INSTRUCTIONS ARE FOLLOWED PROPERLY. ORB, EB, MHB, WCP, AND TB HAVE A 90 DAY WARRANTY IF INSTRUCTIONS ARE FOLLOWED PROPERLY.

*ALL PVD FINISHES COME WITH A LIFETIME WARRANTY IF INSTRUCTIONS ARE FOLLOWED PROPERLY

*ALL XENYO COLORED PRODUCTS HAVE A LIFETIME WARRANTY

*USE OF PLUMBERS PUTTY ON PRODUCTS VOIDS WARRANTY

Specifications subject to change without notice.