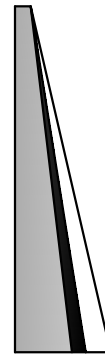
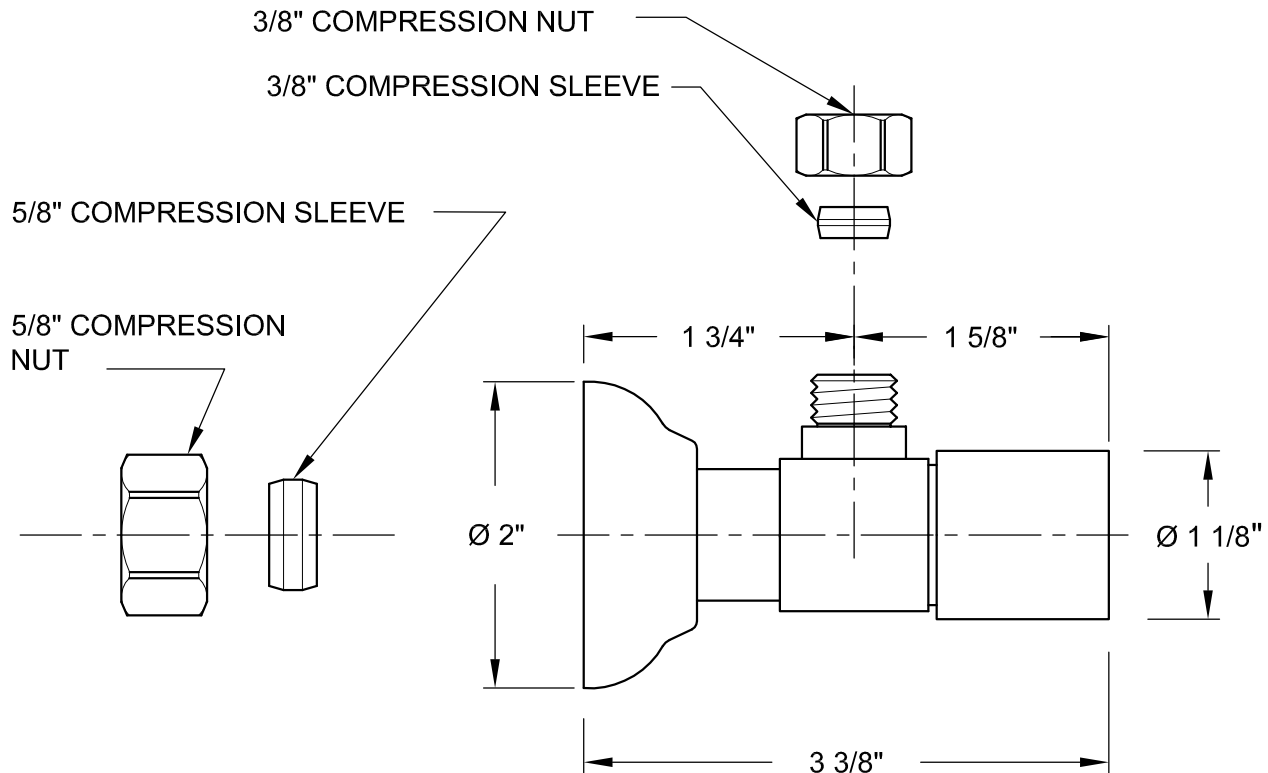


MT6004 SPECIFICATIONS

CONTEMPORARY ROUND HANDLE
ANGLE VALVE WITH 1/4 TURN
CERAMIC DISC CARTRIDGE



Mountain
PLUMBING PRODUCTS
A McAlpine Company



**THIS ANGLE VALVE OFFERS
THE FOLLOWING FEATURES & BENEFITS:**
SLEEK CONTEMPORARY STYLING
1/4 TURN LONG LIFE CERAMIC DISC CARTRIDGE
3/8" O.D. COMPRESSION OUTLET
5/8" O.D. COMPRESSION INLET
LARGE ESCUTCHEON COVERS HOLE IN WALL

**THIS ANGLE VALVE IS AVAILABLE
IN THE FOLLOWING FINISHES:**
CPB - POLISHED CHROME
SC - SATIN CHROME
PN - POLISHED NICKEL
BRN - BRUSHED NICKEL
PEW - PEWTER
ORB - OIL RUBBED BRONZE

**ONE YEAR WARRANTY ON
PLATED FINISHES
LIFETIME WARRANTY ON
PVD FINISHES.**