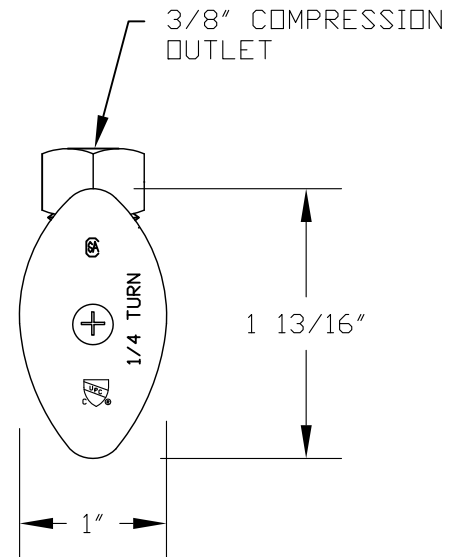
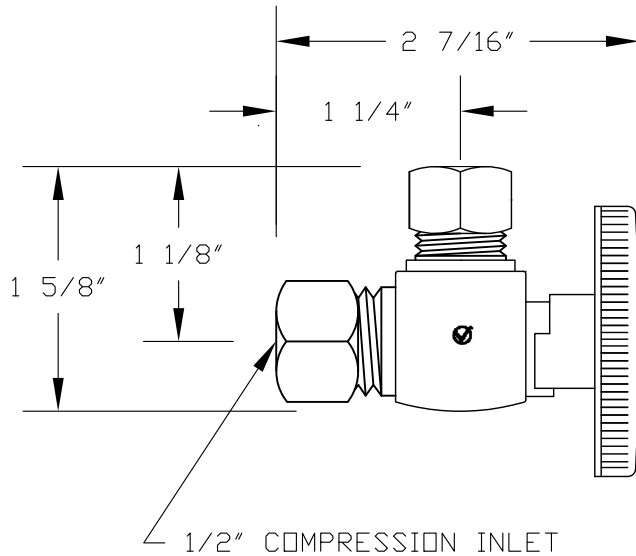


MT403-NL SPECIFICATIONS

TRADITIONAL OVAL HANDLE NO LEAD*
ANGLE BALL VALVE 1/2" COMPRESSION INLET
X 3/8" COMPRESSION OUTLET



Mountain
PLUMBING PRODUCTS
A McALPINE COMPANY



THIS TRADITIONAL SUPPLY VALVE OFFERS THE FOLLOWING FEATURES:

- QUALITY OVAL BRASS HANDLE
- 1/4 TURN LONG LIFE BALL VALVE WITH TEFLON SEATS
- OFFERED IN MANY FINISHES
- OTHER FINISHES AVAILABLE UPON REQUEST

WARRANTY

ONE YEAR WARRANTY ON PLATED FINISHES, 90 DAY WARRANTY ON ORB, EB, MHB, TB AND WCP AND LIFETIME ON PVD PROVIDED PROPER CARE HAS BEEN USED. ONE YEAR WARRANTY ON ALL PARTS. APPLIES TO ORIGINAL PURCHASER. CLAIMS REQUIRE PROOF OF PURCHASE.

FINISH CARE & MAINTENANCE

NEVER USE ANY HARSH ALKALI, ACID BASED DETERGENTS OR CLEANERS SUCH AS SOFT SCRUB®, SCRUBBING BUBBLES® OR COMET® TO CLEAN. DO NOT USE BRILLO® AND SCOTCH BRITE® PADS. THESE WILL ALL HARM THE FINISH. TO CLEAN, USE ONLY A DAMP SOFT CLOTH AND WIPE USING A SOFT CLOTH. STANDARD WINDEX CAN ALSO BE USED SPARINGLY. TO MAINTAIN THE FINISH, WIPE WITH A SOFT DRY CLOTH. AN OCCASIONAL COAT OF PURE CARNUBA WAX WITHOUT CLEANERS WILL HELP PROTECT THE FINISH.

* LESS THAN 0.25% LEAD