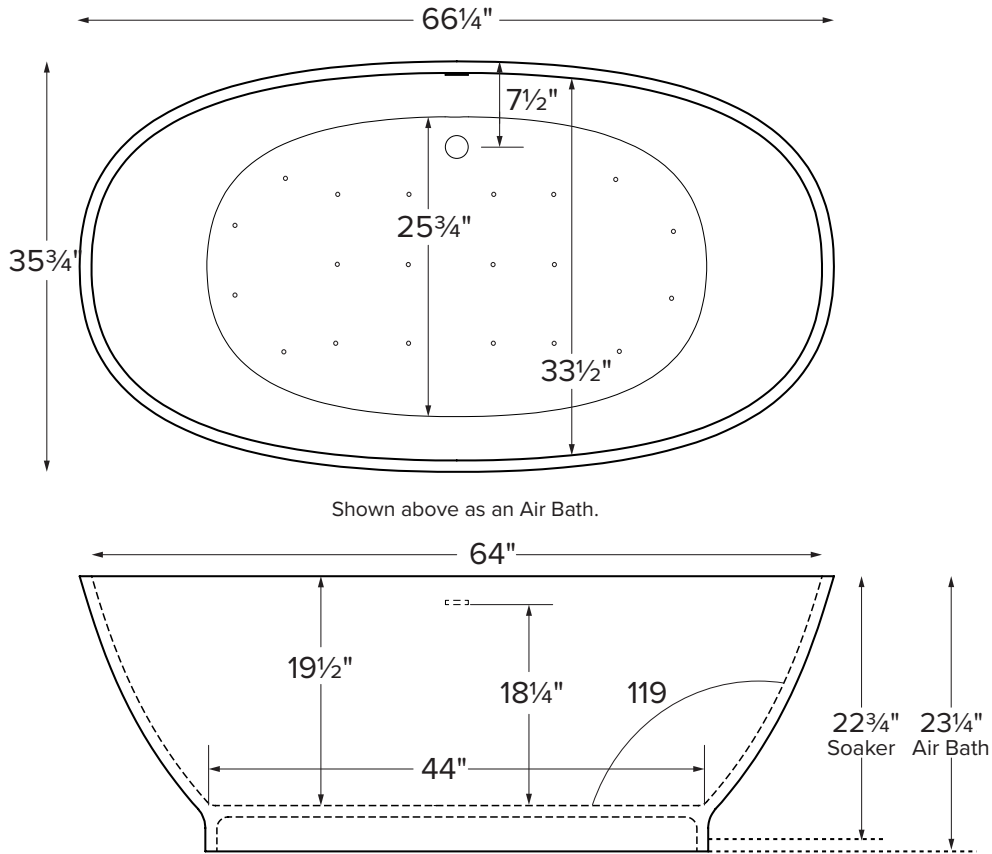


Alissa



Features an integrated overflow.

MODEL 234
66.25" x 35.75" x 22.75"/23.25"
FREESTANDING 95 gal to overflow
SculptureStone®
280 lbs / 127 kg soaker 310 lbs / 141 kg airbath
Filling this tub to the maximum may require an above average size or dedicated water heater.



Shown above as an Air Bath.

ELECTRICAL COMPONENTS & SPECIFICATIONS		
Required Electrical Service - 110 Volt		
Hydrotherapy Package	Components Included	GFCI
Air Massage	heated blower	1-15 amp
Electrical requirements may change with the addition of optional therapy components. See specific option details or installation information. CSA Certified C/US; ANSI Z124.1 and ANSI 112.19.7 and ANSI 112.19.7		

See the Installation & Operation Manual for more details.
MTI's Customer Service: Monday-Friday 8am-6pm EST
800-783-8827 or service@mtibaths.com

IMPORTANT ORDERING & INSTALLATION INFORMATION

- Before ordering or installing, please consider future access to equipment.
- Includes an integrated overflow with toe tap drain in chrome finish. May be specified without an overflow (see local codes before ordering without an overflow).
- Air baths require job site preparation for remote installation of the blower and required check valve. Check valve must be installed higher than the rim of the tub.
- Waterproof remote control included with air bath. Keypad shipped loose may be remote mounted on nearby surface/wall.
- Faucet valves cannot be mounted on this tub model.

• Before discarding tub crate, check for accessories that may be packaged inside.
• All product measurements are ±1/2".
• Specifications and configurations are subject to change without notice.
• Measurements herein supersede all others published prior to publication date below.



For more information on options and accessories go to SculptureStone® Tubs Options on mtibaths.com

Alissa

MODEL #: 234

66.25" x 35.75" x 22.75"/23.25"

- Blower & required check valve for airbath must be remote mounted.
- Check valve must be installed higher than the rim of the tub.
- See the Installation & Operation Manual for more details.

Hydrotherapy	Package Contents	Part #	MSRP
Soaker	Soaking bath - no jets. Includes an integrated slotted overflow with a toe-tap drain kit.	S234	\$8,430
Air Bath	20 air jets, heated air blower, keypad, waterproof remote control, integrated slotted overflow with a toe-tap drain kit.	AST234	\$13,550

Options *Must be ordered at time of purchase*

Quick Ship (QSPRI2) **\$1,025** reduces lead time
Please call for availability

Standard Color White, matte finish
Biscuit Color Upgrade (SSBI) **\$310** matte finish
Additional material colors available for projects only. Please call MTI.

Hand-Polished Deep Gloss Finish (SSGLOSS) **\$1,085** upcharge
For white or biscuit

Exterior Color **\$1,760** (SSCOLTG) Gloss Finish (SSCOLTM) Matte Finish
Must specify color code:
Sapphire Blue (SB), Blue Lagoon (BL), Terracotta (TC),
Onyx (OX), Stratus Gray (TG), Stormgray (SG)
Adds 20 business days to standard lead time

Accessories

Teak Bath Mat (TKMAT3018) **\$815** Measures 30" x 17.5" x 1"
Custom sizes also available. Contact MTI for details.

Floor-Mounted High-Flow Tub Filler
Contemporary
Chrome (FILLC) **\$1,480**
Brushed Nickel (FILLBN) **\$1,710**

SculptureStone® Tub Tray
Without Stemware Holder (SSTRAY1) **\$340**
With Stemware Holder (SSTRAY2) **\$450**
Color and finish will come matched with tub

Teak Tub Tray
Slatted (TK-TRAY1) **\$500** Solid (TK-TRAY2) **\$570**
Order with tub for best fit

Drains & Overflow Kits *Must be ordered at time of purchase*

Toe Tap Drain Cover Finishes
PVC drain - Chrome included
+\$50 upcharge Br. Nickel (WIOBN), Pol. Nickel (WIOPN)
+\$85 upcharge Matte Black (WIOMB)
+\$105 upcharge Oil-Rubbed Bronze* (WIOOR)
+\$640 upcharge Special Finish* (WIOSF)
Send finish sample to MTI Baths for best match.

Boutique Accessories
Packaging / Handling Fee Applies

SculptureStone® Bathroom Table (TABLE) **\$825** matte finish
+\$410 gloss finish upcharge (SSGLOSSNK)
Order with tub for best color match

SculptureStone® Standard Faucet Stand
Small - 3-hole capacity
14¼" w x 20½" h
Matte (STAND) **\$725**
Large - 5-hole capacity
22" w x 21½" h
Matte (STANDL) **\$855**
+\$410 gloss finish upcharge (SSGLOSSNK)

SculptureStone® Premium Faucet Stand

15" w x 39" h Matte (SSFSR3915MT) \$2,365 Gloss (SSFSR3915GL) \$2,720	10" w x 39" h Matte (SSFSR3910MT) \$2,135 Gloss (SSFSR3910GL) \$2,525
20" w x 23" h Matte (SSFSR2320MT) \$1,930 Gloss (SSFSR2320GL) \$2,315	15" w x 23" h Matte (SSFSR2315MT) \$1,825 Gloss (SSFSR2315GL) \$2,180

Toe Tap SculptureStone® Drain Cover Finishes
Upgrade is in lieu of standard chrome to tap drain cover.
White only
+\$90 upcharge Matte Finish (SSWIOMT)
+\$110 upcharge Gloss Finish (SSWIOGL)

Brass Tailpiece (WIOBS) **\$85** in addition to finish charge listed above

Quick Drain Kit (WOQ) **\$460**

* MTI has selected an oil-rubbed bronze finish that is compatible with Delta and many other manufacturers. To ensure best match, order as a Special Finish and submit a sample.
CSA # MTCT-234

* Allow 2-4 weeks lead time for Special Finishes.
Send sample for best match.

