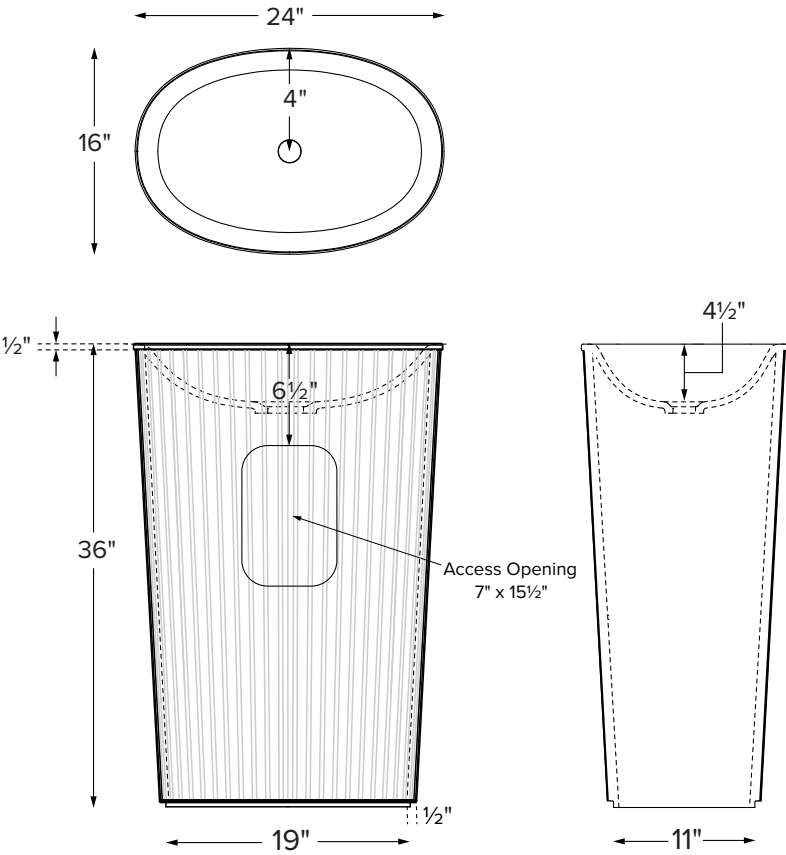


Bowie

MODEL CVP825
24" x 16" x 36"
FREESTANDING PEDESTAL
SculptureStone®
112 lbs / 51 kg
Due to the handcrafted nature of this product, allow for a tolerance of up to ±1/2" for overall dimensions



ORDERING AND INSTALLATION

- Allow for a tolerance of up to ±1/2" for overall dimensions
- 1.5" drain opening
- Rear access opening for drain installation
- Faucet must be wall mounted
- One-piece construction
- Non-porous, stain-, mold- and mildew- resistant SculptureStone®
- Material is approximately 70% organic
- Five-Year Limited Residential Warranty

Finish	Part #	MSRP	
Matte	CVP825MT	\$5,795	Crate / Handling Fee Applies
Options must be ordered at time of purchase			
Colors must specify on order			
White (CWH) matte finish no charge			
Biscuit (CBI) matte finish \$325			
Hand-Polished Deep Gloss Finish Upcharge (SSGLOSSNK2) \$530			
Interior Only For White or Biscuit			
Exterior Color \$1,290 (SSCOLPG) Gloss (SSCOLPM) Matte			
Must specify color code:			
Sapphire Blue (SB), Blue Lagoon (BL), Terracotta (TC), Onyx (OX), Stratus Gray (TG), Stormgray (SG)			
Leveling Feet included			
4 leveling feet no charge			

Drain Kit Ships with sink

- Finger Touch Drain Without Overflow**
- Chrome (DKFGCN) **\$185**
 - Brushed Nickel (DKFGBNN) **\$190**

- Grid Drain Without Overflow**
- Chrome (DKGDCN) **\$115**
 - Brushed Nickel (DKGDBNN) **\$180**

- Fixed Drain Without Overflow**
- Chrome (DKFDC) **\$300**

• Check for accessories before discarding packaging.
 • All product measurements are ±1/2".
 • Specifications and configurations are subject to change without notice.
 • Measurements herein supersede all others published prior to publication date below.

