

**Tile Flange**

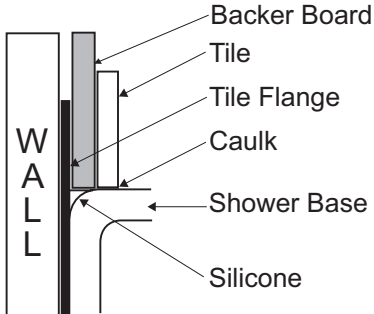
MTI MTI Solutions Collection shower bases include a tile flange to simplify installation. Multiple-threshold shower bases include a rigid ABS tile flange that is factory-installed on up to 3 sides and may also be ordered for installation on the job site, if preferred. All other shower bases include an integral tile flange that is molded into the base.

**ABS Tile Flange for Multiple-Threshold Shower Bases**

Rigid ABS tile flange is chemically bonded to the shower base at the factory. This not only facilitates installation but also enables a watertight seal on any sides specified.



ABS tile flange installed on 3 sides of shower base. Also available on 1 or 2 sides, depending on installation application.



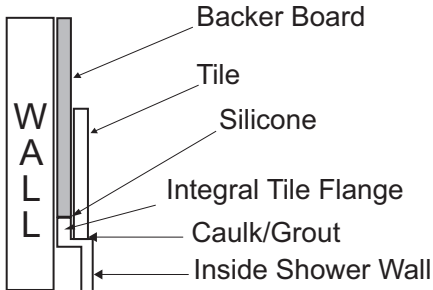
**Integral Tile Flange**

The integral tile flange is a ~3/8" acrylic flange molded into the shower base at the factory and is available only in a 3-sided flange for single-threshold rectangular, square, barrier-free and seated models and 2-sided flange for neo-angle and dual-threshold models. The tile flange is designed to screw to the wall studs and must be pre-drilled at the job site. Backer board will rest on top of the flange to provide an even surface for the tile.

**NOTE:** Integral Tile Flange is not available on multiple-threshold models. See specific shower base specification / price sheet for availability.



Integral Tile Flange

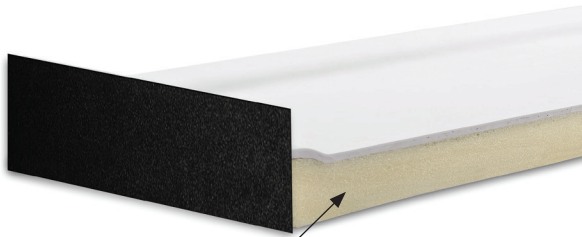


**Pre-Levelled Foam Base**

**Pre-Levelled Foam Base**

All MTI shower bases are available with a factory-installed pre-leveled foam base. This facilitates installation by eliminating the need for using a wet-bed compound to level the base. This foam also acts as a sound dampener and barrier.

MTI uses high-density closed cell foam which will not shrink, crack or deteriorate over time. Field substitutions (e.g., Great Stuff) are not recommended and may void warranty.



Pre-leveled foam base

**Pre-Levelled Foam Base (PLFSB) \$240**

MTI's Customer Service Department is available Monday-Friday 8am-6pm EST  
800-783-8827 or [service@mtibaths.com](mailto:service@mtibaths.com)

