

MBODI6036

59.5" x 35.5" x 18.75"

GENERAL SPECIFICATIONS:

Installation: Drop-In

Material: Acrylic

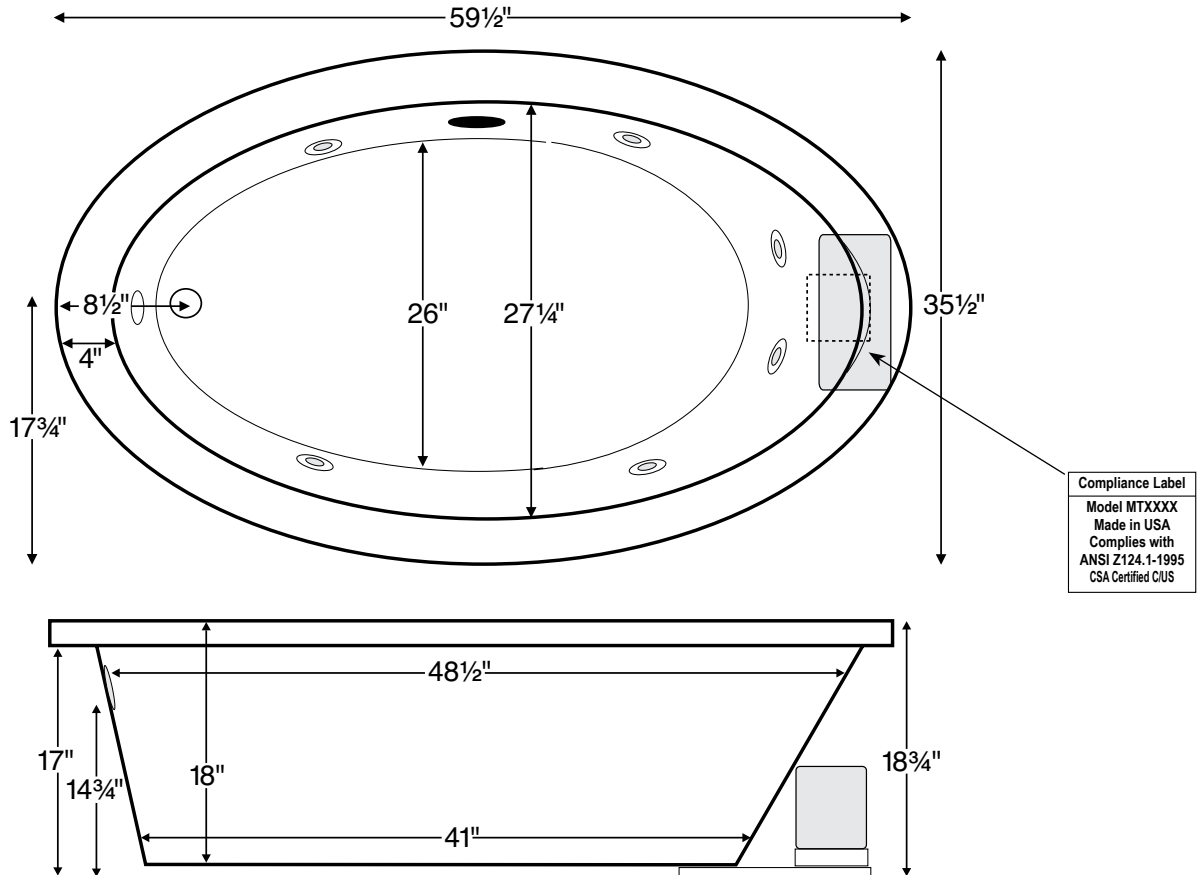
Plumbed Weight: 99 lbs / 45 kg

Soaker Weight: 75 lbs / 34 kg

Average Fill: 41 gal to above jet level

Maximum Fill: 62 gal to overflow

NOTE: Filling this tub to the maximum may require an above average size or dedicated water heater.



Shown with Whirlpool Package

ELECTRICAL SPECIFICATIONS

- Required Electrical Service - 110 Volt
- Air Bath or Whirlpool - 1-15 amp GFCI
- Soaker - Inline Heater - 1-15 amp GFCI
- Air Bath - Inline Heater - 1-15 amp GFCI
- Whirlpool - Inline Heater - 1-15 amp GFCI

CSA Certified C/US; ANSI Z124.1
CSA Certified C/US; ANSI 112.19.7

IMPORTANT ORDERING & INSTALLATION INFORMATION:

- Before ordering or installing, please consider future access to all equipment.
- Please measure tub on-site before building tub decking.
- Add bedding compound to fully level and support bottom of tub.
- Tubs equipped with an air bath or a pre-leveled foam base are designed to rest on the floor without bedding compound, provided the floor is level.
- Overall tub height is increased by approx. 2-3" when tub is equipped with any air bath package or when pre-leveled foam base or framing system is ordered.
- Jet, pump & blower locations are predetermined and cannot be changed.
- Suction and control locations may vary.
- Options listed cannot be combined with Designer Collection options.
- Specifications and configurations are subject to change without notice.
- Measurements are +1/2" and are subject to change without notice.
- Measurements herein supersede all others published prior to publication date shown below.



PACKAGE	PACKAGE CONTENTS	PART #
Soaker	Soaking bath - No jets. Includes an integral front skirting, 3-sided integral tile flange, pre-leveled foam base.	MBSODI6036
Air Bath	12 air jets, heated air blower, integral front skirting, 3-sided integral tile flange, pre-leveled foam base	MBAODI6036
Whirlpool	6 point-massage jets, 1-bhp pump, integral front skirting, 3-sided integral tile flange, pre-leveled foam base	MBWODI6036

COLOR AND FINISH OPTIONS

NOTE: Part codes for all options listed in parenthesis.

Color Upgrade: Biscuit (MTISCOLOR)

STANDARD OPTIONS

NOTE: Part codes for all options listed in parenthesis.

Quick Ship / Priority

Soaker & Whirlpool (QSHIPMTIS)
Airbath (QSHIPMTISA)

Inline Heater

For Whirlpool (HTRMTIS)
Heater with Recirculating Pump
for Soaker & Air Bath (MBHTISOAK)

Lift and Turn Drain & Overflow

Chrome (MBWOC)
Brushed Nickel (MBWOBN)
White (MBWOW)

Pre-Leveled Foam Base

5' Tubs (MBPLFOAM)
5.5' & 6' Tubs (MBPLFOAM2)

