



### Design features:

- Heavy duty, rough brass, chrome plated
- Brass dual handle faucet (wall mount)
- Top reinforcing bar and pail hook on spout
- Eccentric inlets on 8" Centers
- Vacuum breaker
- Flowrate: 6 GPM

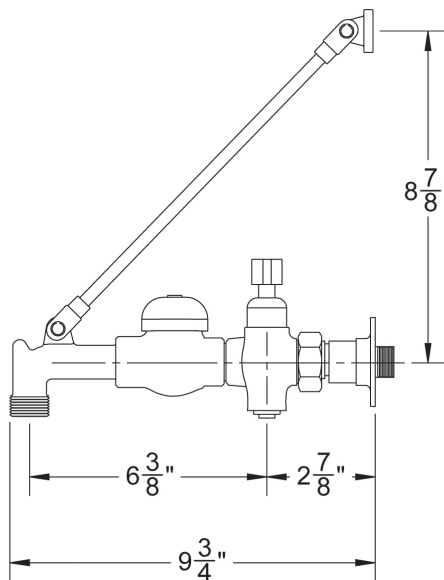
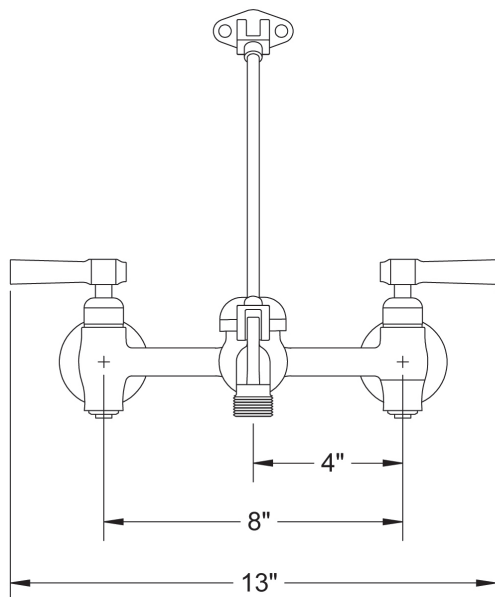
### Code Accepted

Mustee service faucets meet or exceed performance requirements:

- CUPC Approved  
Complies with ASME A112.18.1-2012/CSA B125.1-12

### Specifications

Model No.	Color	UPC	Dimension	Length	Width	Height*	
63.600A	Chrome	6 71031 00277 8	Overall	9 3/4"	13"	8 7/8"	*Height is from the screw holes of the Stabilizer Assembly to the center of the Inlet/Flange Assembly



**General:** Chrome plated brass service sink faucet, 1/2" pipe eccentric inlets on 8" centers. Vacuum breaker integral stops, chrome plated (H&C) handles, 3/4" hose end spout with pail hook, top reinforcing bar and mounting bracket. Install as shown on plans and in accordance with local codes.

