

iDream Package®

Innovation, luxury, and ease are at the core of MrSteam’s flagship iDream Package. All the components of an exquisite steam system combine to create the convenience and comfort of a home spa retreat.

BOX CONTENT

MS iDREAM PACKAGE

For models MS90 to MSSUPER3

- iSteam3 Touch Control
- Matching iSteam Steamhead
- SteamLinX
- AutoFlush®
- Condensation Pan
- AromaSteam Oil Delivery System
- ChromaSteam3 Mood Lighting System
- AudioSteam3 Sound System
- Pair of In-shower MusicTherapy® Square Speakers
- Liter Eucalyptus Oil

MAX iDREAM PACKAGE

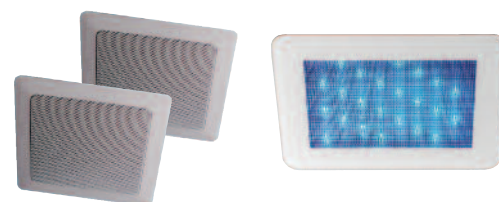
For model MX4, MX5 and MX6.

Same as iDream Package except with an additional Steamhead, MAX AutoFlush, and Condensation Pan.

NOTE: When ordered with the Linear Steamhead, standard steamhead(s) are replaced with 104216 Linear Steamhead(s).



SteamLinX Mobile App



FOR ILLUSTRATIVE PURPOSES ONLY. IMPORTANT NOTE: FOR SAFE AND TROUBLE FREE INSTALLATION

visit mrsteam.com before installation to download the Installation, Operation and Maintenance Manual or refer to the manual provided with the unit.

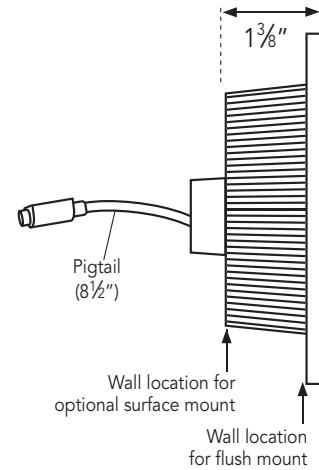
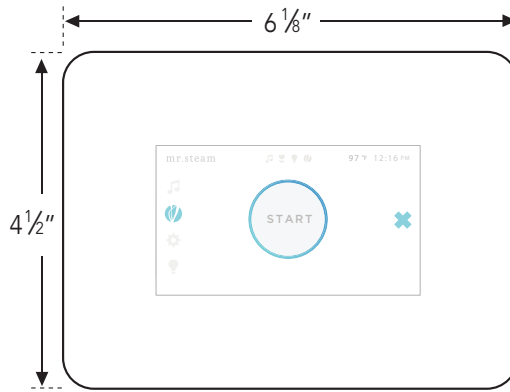
MODEL	FINISH	PROJECT INFORMATION	
<input type="checkbox"/> MSi3Dream	<input type="checkbox"/> Black	Location:	Contractor:
<input type="checkbox"/> MAXi3Dream	<input type="checkbox"/> White	Architect:	Submitted By:
OPTIONS: <input type="checkbox"/> Linear Steamhead		Engineer:	Date:
Notes:			

iSteam®3

Box Contents:

- iSteam3
- Owner's Manual
- Control Cable (30 ft.)
- Rough-In Box
- Steamhead
- Optional Surface
- Tube of Silicone Sealant Mount Gasket

Dimensional Information



iSteam controls flush mount in the steam/shower enclosure through a 5-1/4" wide x 3-9/16" high hole. iSteam controls can also be surface mounted. They are suitable for use with SteamLinx™ mobile app control.

iSteam controls are suitable for use inside or outside the steam/shower enclosure, featuring:

- Full color LCD touch screen
- Programmable temperature
- Programmable time
- Eight user presets
- AromaSteam, ChromaSteam3 and AudioSteam3 controls
- Passcode to prevent unintentional use of steam bath
- Includes AromaSteam Steamhead in white or black
- Compatible with SteamLinx
- Low voltage operation

The iSteam controls are designed to be installed inside or outside the steam room but is primarily installed inside the steam room. If the control is installed inside the steam room the control must be located:

- 4-5 feet above the floor
- In a location representative of the desired steam bathing temperatures near the bather seating area. Do not locate the control above or near the steamhead or direct steam emissions.
- On a vertical wall

The control cable length is 30 feet. Insure that the control and/ or steam generator are located accordingly. An optional 60 ft. cable is available if required, PN 104117-60. If the control is installed outside the steam room a Remote Temperature Probe Part Number MST5 must be installed inside the steam room.

FOR ILLUSTRATIVE PURPOSES ONLY. IMPORTANT NOTE: FOR SAFE AND TROUBLE FREE INSTALLATION

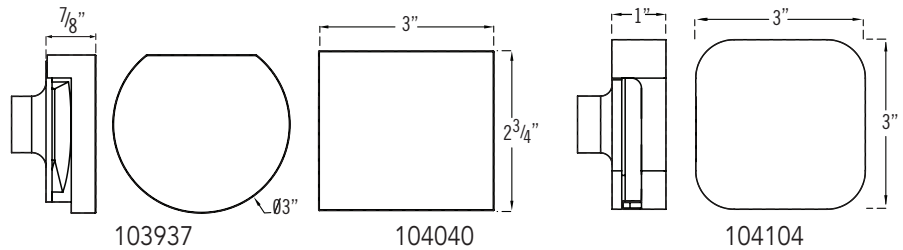
visit mrsteam.com before installation to download the Installation, Operation and Maintenance Manual or refer to the manual provided with the unit.

MODEL	FINISH	PROJECT INFORMATION	
iSteam3	<input type="checkbox"/> Black	Location:	Contractor:
	<input type="checkbox"/> White	Architect:	Submitted By:
		Engineer:	Date:
Notes:			

AromaSteam Steamhead

Round 103937, Square 104040, 104104

- Even distribution of steam while remaining cool to the touch
- No field assembly required
- No moving parts
- Integrated aromatherapy oil well for in shower use



Round & Square Steamhead Installation (1/2" NPT)

IMPORTANT: Do not disassemble steamhead. MrSteam's steam head is shipped fully assembled and requires no additional assembly.

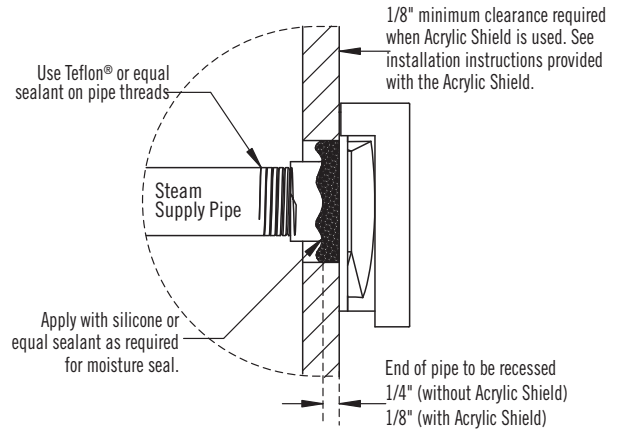
CAUTION Because the steamhead and direct steam emissions are very hot, locate the steamhead where incidental contact by bather with the steamhead or direct steam emission cannot occur.

NOTE: A 1.5" clearance hole around the steam pipe is needed to mount the steamhead.

Locate steamhead 6-12 inches above floor, except for:

- Tub/shower enclosures, install 6 inches above tub top edge.
- For enclosures with acrylic or other non-heat resistant flooring install Acrylic Shield Part Number 103938/10398SQ

IMPORTANT NOTE: To preserve steamhead finish, do not use wrench or other tools to tighten. DO NOT use abrasive cleansers or chemicals. Use only water with mild soap and a non-abrasive sponge.



CAUTION Consult with supplier of acrylic, fiberglass and other non-heat resistant enclosures for recommended steamhead location. Use Acrylic Shield PN 103938/103938SQ. See instructions provided with steam shield. (An acrylic shield is not available for the iSteam steamhead.)

FOR ILLUSTRATIVE PURPOSES ONLY. IMPORTANT NOTE: FOR SAFE AND TROUBLE FREE INSTALLATION visit mrsteam.com before installation to download the Installation, Operation and Maintenance Manual or refer to the manual provided with the unit.

MODEL	FINISH**	PROJECT INFORMATION
<input type="checkbox"/> 103937-Round	<input type="checkbox"/> BB Brushed Bronze	Location:
<input type="checkbox"/> 104040-Square	<input type="checkbox"/> BN Brushed Nickel	Architect:
<input type="checkbox"/> 104104*	<input type="checkbox"/> ORB Oil Rubbed Bronze	Engineer:
	<input type="checkbox"/> PB Polished Brass	Contractor:
	<input type="checkbox"/> SB Satin Brass	Submitted By:
	<input type="checkbox"/> PC Polished Chrome	Date:
	<input type="checkbox"/> PN Polished Nickel	Notes:
	<input type="checkbox"/> BLK Black***	
	<input type="checkbox"/> WH White***	
	<input type="checkbox"/> MB Matte Black	
	<input type="checkbox"/> RAW Custom Plating	

* 104104 Steamhead is used for AirTempo, iSteam and black/white fascia iTempo and iTempoPlus.

** For AirTempo select black or white with a decorative finish

***iSteam, black/white fascia iTempo and iTempoPlus are provided with matching glass face and chrome trim only.

SteamLinx™

BOX CONTENT

- SteamLinx Generator Module
- SteamLinx Router Module
- 6 foot Ethernet Cord
- Power Adapter

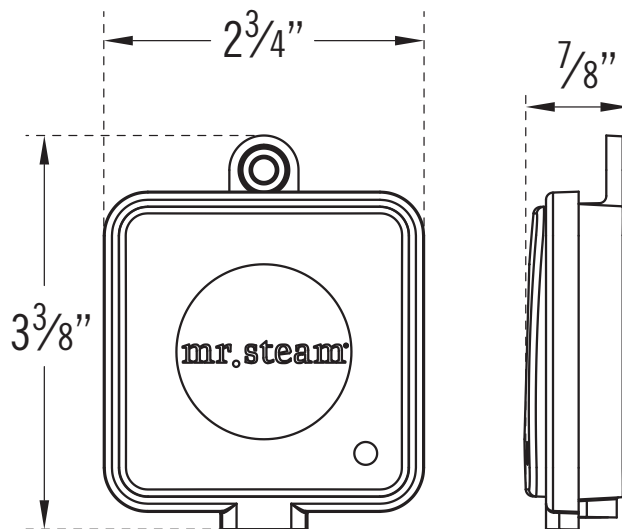
SteamLinx

Introducing the latest Mobile Steam Room Technology, the SteamLinx Mobile System. SteamLinx allows for seamless control of essential steam room functionality using your smart phone or mobile device.

Included in all Dream & Butler Packages.

Works with all MrSteam Controls

App available for download from Google Play and the App Store



FOR ILLUSTRATIVE PURPOSES ONLY.

IMPORTANT NOTE: FOR SAFE AND TROUBLE FREE INSTALLATION visit mrsteam.com before installation to download the Installation, Operation and Maintenance Manual or refer to the manual provided with the unit.

MODEL	PROJECT INFORMATION	
SteamLinx	Location:	Contractor:
	Architect:	Submitted By:
	Engineer:	Date:
Notes:		

AutoFlush®

Box Contents

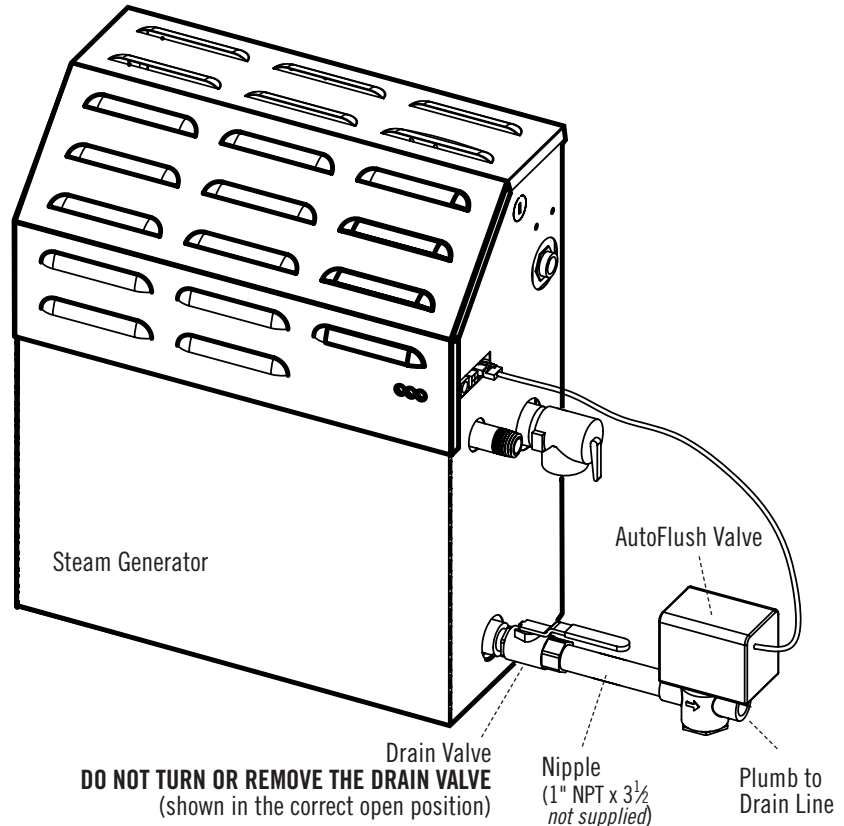
- AutoFlush Valve with Cord
- Installation instructions

Operation

The optional AutoFlush System feature automatically drains the MrSteam system following each use. A time delay allows the water to cool down (about two hours) before it drains by gravity for a safe and gentle operation.

Note: If the Express Steam® option has been installed, the AutoFlush will drain for ten minutes then refill with fresh water to begin the pre-heat cycle.

AutoFlush Shown Fully Assembled



Our exclusive AutoFlush automatically and electronically drains the system, providing CleanSteam... Every Time® and introduces fresh water.

FOR ILLUSTRATIVE PURPOSES ONLY. IMPORTANT NOTE: FOR SAFE AND TROUBLE FREE INSTALLATION visit mrsteam.com before installation to download the Installation, Operation and Maintenance Manual or refer to the manual provided with the unit.

MODEL	PROJECT INFORMATION	
MS 81500E	Location:	Contractor:
	Architect:	Submitted By:
	Engineer:	Date:
Notes:		

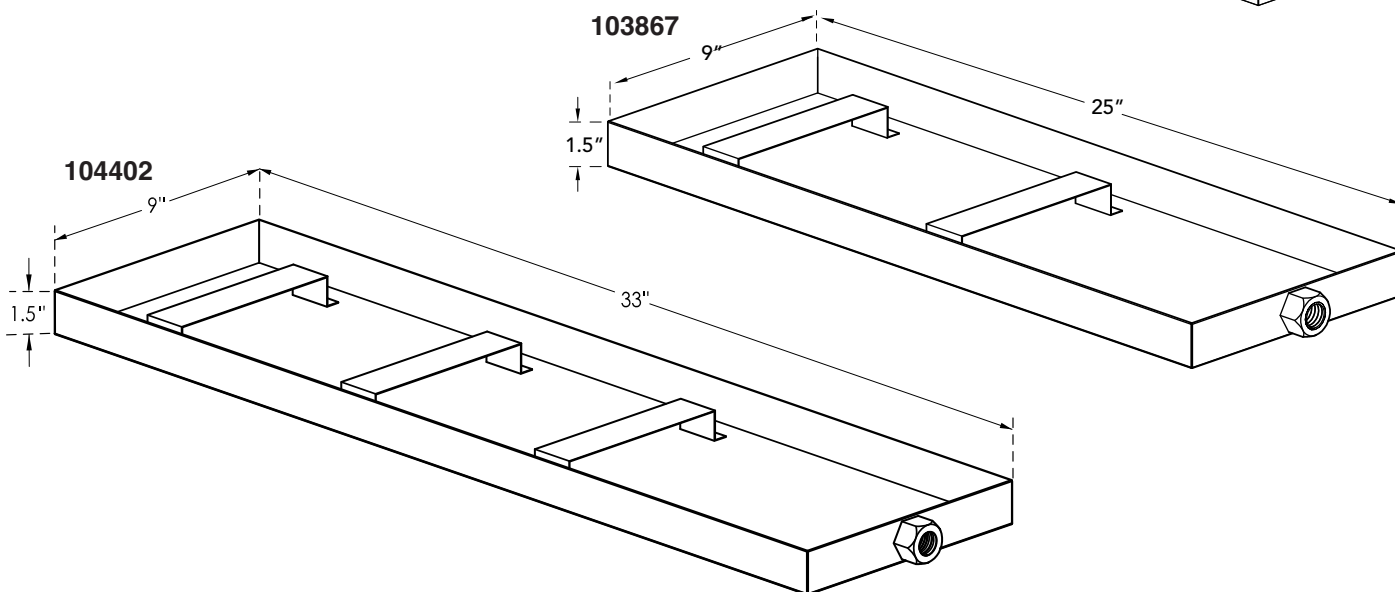
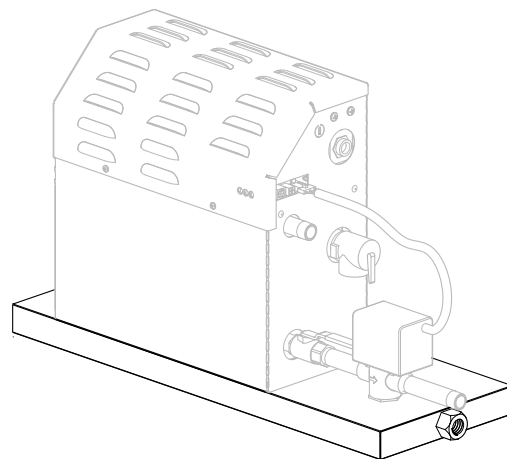
Condensation Pan

103867 & 104402

Mr.Steam strongly recommends the use of a condensation pan in the unlikely event of a plumbing leak.

Locate the condensation pan on a solid level surface and place the steam generator inside the condensation pan. Insure the steam generator is level.

All plumbing shall be performed by a qualified licensed plumber and in accordance with applicable national and local codes. Check local plumbing code for receptor, trap and vent requirements. Condensation pans drain by gravity. The condensation pan is equipped with an integral 3/4" NPT fitting.



NOTE: For MX4E, MX5E and MX6E use model 104402

FOR ILLUSTRATIVE PURPOSES ONLY. IMPORTANT NOTE: FOR SAFE AND TROUBLE FREE INSTALLATION visit mrsteam.com before installation to download the Installation, Operation and Maintenance Manual or refer to the manual provided with the unit.

MODEL	PROJECT INFORMATION	
<input type="checkbox"/> 103867	Location:	Contractor:
<input type="checkbox"/> 104402	Architect:	Submitted By:
	Engineer:	Date:
Notes:		

AromaSteam

CONTENTS:

- 6 feet of pressure hose
- 2 feet of suction hose
- Filter
- Atomizing Nozzle
- Installation and Operation Manual

- Electronic oil delivery system evenly infuses scent into steam
- Complete with hoses, fittings and oil atomizer
- Can be controlled directly from an iSteam® or iTempoPlus®
- AromaSteam System oils available in one-liter bottles
- The AromaSteam is rated 0.5 Amps at 120 VAC
- cULus Listed

NOTE: AromaSteam is for use with iSteam® or iTempoPlus® only.

Mr. Steam offers special formulated & packaged oils for use with the AromaSteam in the following fragrances:

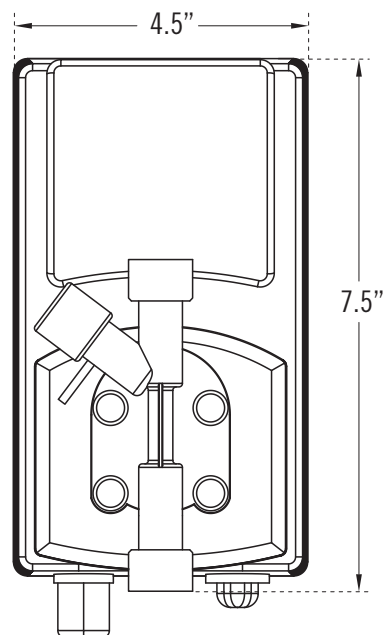
MS OIL 1: Eucalyptus

MS OIL 2: Lavender

MS OIL 3: Evergreen

MS OIL 4: Energizing Mint

MS OIL 5: Breathe



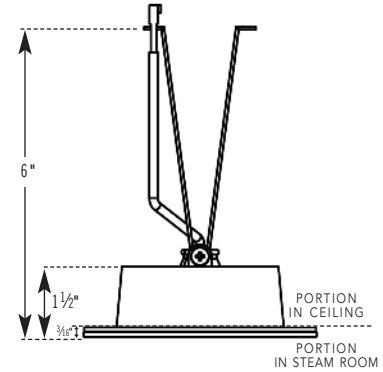
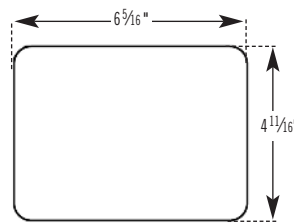
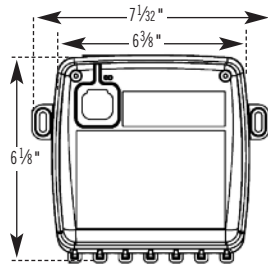
Dimensions:	7.5"W x 4.5"H x 4.5"D
Weight:	5 pounds
Motor voltage	120 VAC, 50/60 Hz
Current Draw	0.5 Amps

! WARNING Not for use in acrylic or fiberglass rooms.

FOR ILLUSTRATIVE PURPOSES ONLY. IMPORTANT NOTE: FOR SAFE AND TROUBLE FREE INSTALLATION visit mrsteam.com before installation to download the Installation, Operation and Maintenance Manual or refer to the manual provided with the unit.

MODEL	PROJECT INFORMATION	
MS AROMA	Location:	Contractor:
	Architect:	Submitted By:
	Engineer:	Date:
Notes:		

ChromaSteam3® ChromaSteam3 is only for use with iSteam3



BOX CONTENTS

MSCHROMA3 includes:

- (1) Light Fixture, LED Controller
- (1) Tube of Silicone
- (1) 30 ft. cable
- (1) Rough-in Box
- (1) Installation and Operation Manual

MSCHROMA3 DUO includes:

- (2) Light Fixtures, LED Controller
- (2) Tubes of Silicone
- (1) 30 ft. cable
- (1) Duo Cable
- (2) Rough-in Boxes
- (1) Installation and Operation Manual

IMPORTANT NOTE: The ChromaSteam System is for mood lighting only and not a substitute for general illumination.

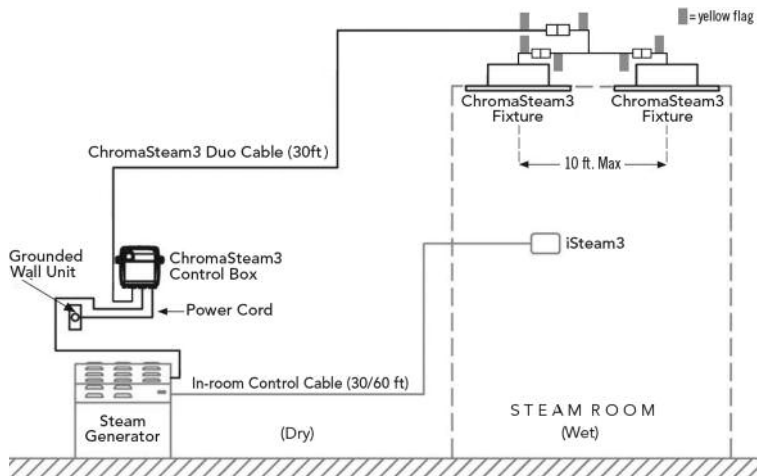
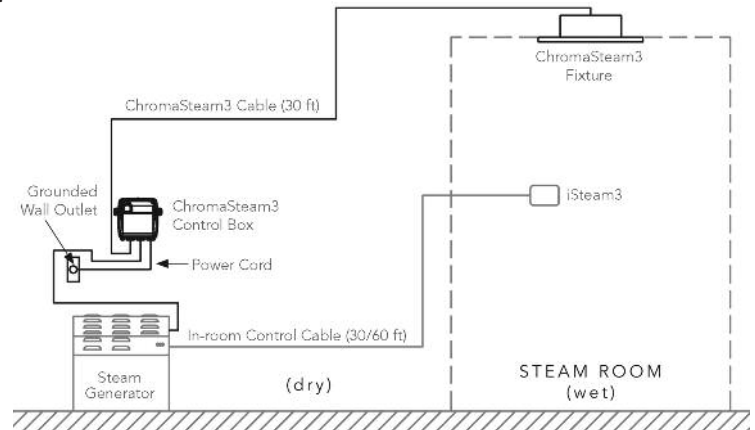
ChromaSteam3 is rated 0.4 amps at 120 VAC

The ChromaSteam3 System allows you to select color and modes directly from the iSteam3 control. The built-in color microprocessor allows you to choose one color from the color selection wheel and set color intensity. Included low voltage power supply. Available in white or black.

For mood lighting only.

FOR ILLUSTRATIVE PURPOSES ONLY.

IMPORTANT NOTE: FOR SAFE AND TROUBLE FREE INSTALLATION visit mrsteam.com before installation to download the Installation, Operation and Maintenance Manual or refer to the manual provided with the unit.



MODEL	BEZEL COLOR	PROJECT INFORMATION	
<input type="checkbox"/> MSCHROMA3	<input type="checkbox"/> BK Black	Location:	Contractor:
<input type="checkbox"/> MSCHROMA3DUO	<input type="checkbox"/> WH White	Architect:	Submitted By:
		Engineer:	Date:
Notes:			

AudioSteam & Audio@Home

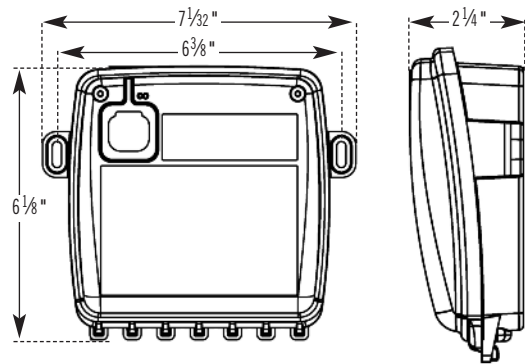
The MusicTherapy® sound system is the perfect way to introduce music into your steam room or shower. The MusicTherapy is easy to install and is compatible with many audio sources such as portable music players and smart phones equipped with Bluetooth®.

The AudioSteam can be controlled with the iSteam3 steambath control. Audio@Home is controlled by a smart phone or tablet.

Just pair your Bluetooth® device and start playing your favorite music. Digital files or internet radio from your audio device will be streamed wirelessly.

⚠ WARNING DO NOT connect speaker ground wires together.
DO NOT bridge channels

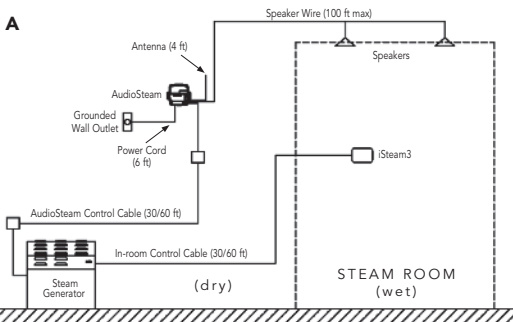
Dimensions



Control Options for the AudioSteam

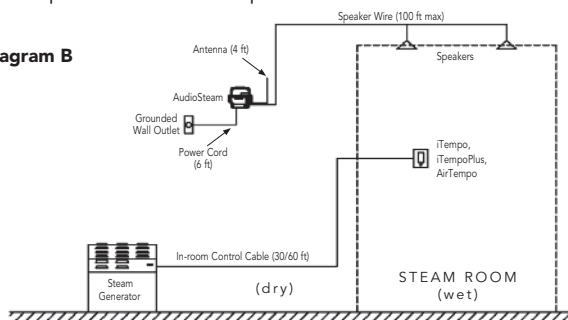
A. Operating the AudioSteam with the iSteam3 control.

Diagram A



B. Operating the AudioSteam with the iTempo, iTempoPlus and AirTempo stand-alone control.

Diagram B



Locating the AudioSteam / Audio@Home

- The AudioSteam control cable is 30ft and the power cord is 6ft, ensure the and AudioSteam are located accordingly. Only Audio@Home has a 6 ft. power cord.
- Locate in a dry location where the wireless signal will not be interrupted.
- Test Bluetooth® signal before mounting AudioWizard.

⚠ WARNING ELECTRIC SHOCK HAZARD!

To reduce the risk of fire or electric shock, do not expose this apparatus to rain or moisture. **DO NOT** install AudioSteam in the steam room or any location where it may become wet.

Environmental Ratings

Operating temperature: -4 °F to 140 °F
Storage temperature: -22 °F to 185 °F
Humidity: 70% max
Water resistance: IPX5

Subwoofer output only available on AudioSteam Model MSAS3

Mechanical

Weight: 3.6 lb
Dimensions (W x H x D): 9.81" x 2.58" x 8.88"

Line Input

Input Voltage: 100-240 VAC 50-60Hz

Auxiliary Inputs

Maximum number of inputs: 1
Connection Type: 1/8" (3.5mm) stereo jack

Maximum voltage: 2.2 Vpp
Impedance: 100 Kohms

Audio Outputs

Max number of speakers: 4
Max number of subwoofers: 1
Audio Amplifier Type: Class D
Output Power (speaker): 25 WRMS, 50W PEAK
Output Power (subwoofer): 50 WRMS, 100W PEAK
Output Impedance (speaker): 4-8 Ohm
Output Impedance (subwoofer): 2-4 Ohm
Harmonic Distortion (speaker): 0.015% at 1W (1KHz)
Harmonic Distortion (subwoofer): 0.015% at 1W (100Hz)
Frequency response (speaker): 5Hz to 20 KHz F
Frequency response (subwoofer): 10Hz to 200 Hz

FOR ILLUSTRATIVE PURPOSES ONLY. IMPORTANT NOTE: FOR SAFE AND TROUBLE FREE INSTALLATION visit mrsteam.com before installation to download the Installation, Operation and Maintenance Manual or refer to the manual provided with the unit.

MODEL	PROJECT INFORMATION	
<input type="checkbox"/> MSAS3 (for use with iSteam3 only)	Location:	Contractor:
<input type="checkbox"/> MSAH (stand alone)	Architect:	Submitted By:
	Engineer:	Date:
Notes:		

MusicTherapy® Speakers, Round & Square

- Designed for use inside or outside the shower enclosure
- Ceiling, flush mount
- Square 7.06" x 7.06" Round: 6.5" diameter
- Two-way marine-grade speakers, polypropylene cones
- ABS frames with white powder-coated grills
- Suitable for most sources of audio input
- Rated 60W peak power with full range sound
- 30 watts RMS and 8 ohm impedance
- For use in any shower



FOR ILLUSTRATIVE PURPOSES ONLY. IMPORTANT NOTE: FOR SAFE AND TROUBLE FREE INSTALLATION visit mrsteam.com before installation to download the Installation, Operation and Maintenance Manual or refer to the manual provided with the unit.

MODEL	SHAPE	FINISH	PROJECT INFORMATION	
MS Speakers	<input type="checkbox"/> RD Round	<input type="checkbox"/> BK Black	Location:	Contractor:
	<input type="checkbox"/> SQ Square	<input type="checkbox"/> WH White	Architect:	Submitted By:
			Engineer:	Date:
Notes:				

Linear Steamhead

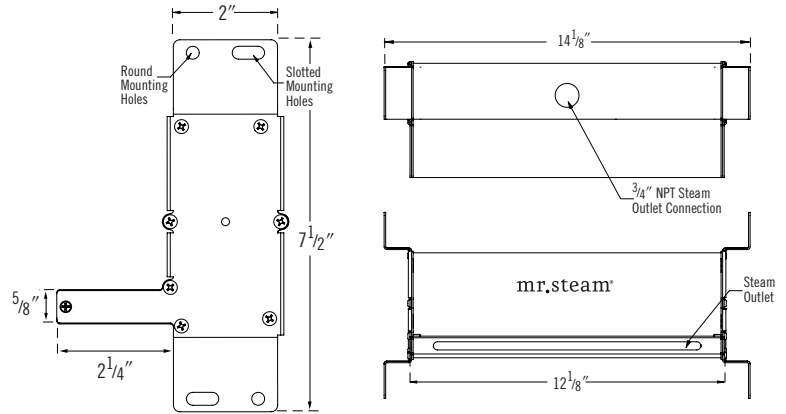
- Quiet, even distribution of steam
- No field assembly required
- No moving parts
- Minimal profile

Linear Steamhead Installation

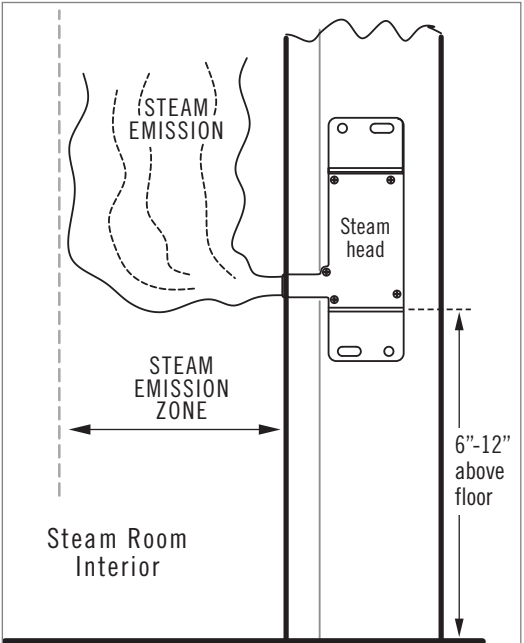
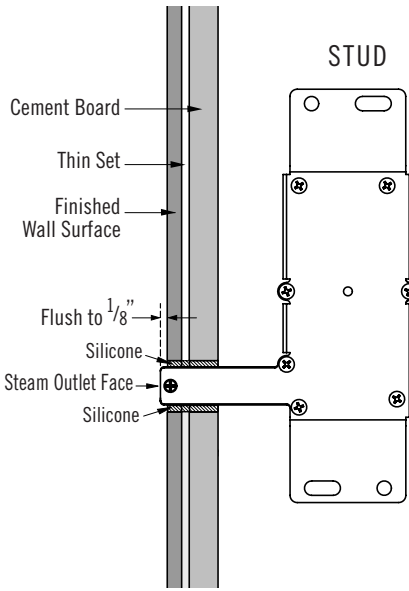
(3/4" NPT)

IMPORTANT: Do not disassemble steamhead. MrSteam's steamhead is shipped fully assembled and requires no additional assembly.

Locate steamhead 6-12 inches above floor, except for tub/shower enclosures; install 6 inches above tub top edge.



- CAUTIONS**
- Because the steamhead and direct steam emissions are very hot, locate the steamhead where incidental contact by bather with the steamhead or direct steam emission cannot occur.
 - Linear Steam Head model 104216 is suitable for MrSteam generator models MS90-400, MSSUPER1-3 and CT6-CT15.
 - Two 104216 linear steamheads must be used for models MX4, 5 & 6.
 - Using model 104216 for any steam generator model larger than the MSSUPER3, or for any non MrSteam brand generators may result in an improper installation or hazardous condition.
 - For residential and Day Spa use only.
 - Install in a horizontal orientation only. Installation in a vertical orientation may concentrate the steam and result in excessive temperatures.



Generator Model	Steam Emission Zone
MS90 – MS400, CT6, CT9	18"
SUPER 1 – SUPER3; CT12, CT15	24"
MX4 -MX6 (two required)	24"

FOR ILLUSTRATIVE PURPOSES ONLY. IMPORTANT NOTE: FOR SAFE AND TROUBLE FREE INSTALLATION visit mrsteam.com before installation to download the Installation, Operation and Maintenance Manual or refer to the manual provided with the unit.

MODEL	PROJECT INFORMATION	
104216 For MS90 - MSSUPER3 and CT6-CT15 Two required for MX4, MX5 and MX6.	Location:	Contractor:
	Architect:	Submitted By:
	Engineer:	Date:
Notes:		