



Installation, Operation and Maintenance Manual

iDream/iDream2/ iDreamX/Linear

iSteam3 Control	PUR100514	07-17
AromaSteam SteamHead	PUR100421	10-15
Linear Steamhead	PUR100561-1	02-19
SteamLinx Mobile App	PUR100518	07-19
AudioSteam3 System	PUR100533	05-19
Square Speakers	PUR100401SQ	09-19
ChromaSteam3 System	PUR100515	01-19
AromaSteam System	PUR100402	05-19
MS / Super AutoFlush	PUR100200E	10-15
MX AutoFlush	PUR100532	02-19
Condensation Pan	TS0012	12-19

mr.steam® | Feel Good Inc.®



Installation, Operation & Maintenance Manual

iSteam[®] 3 Control

mr.steam[®] | Feel Good Inc.

READ ME FIRST!

!WARNING As you follow these instructions, you will notice warning and caution symbols. This blocked information is important for the safe and efficient installation and operation of this generator. These are types of potential hazards that may occur during installation and operation:

!WARNING Indicates a potentially hazardous situation, which, if not avoided, could result in death or serious injury.

!CAUTION Indicates a potentially hazardous situation, which, if not avoided may result in minor or moderate injury or product damage.

IMPORTANT NOTE: This highlights information that is especially relevant to a problem-free installation.

All information in these instructions is based on the latest product information available at the time of publication. Sussman-Automatic Corporation reserves the right to make changes at any time without notice.

When installing and using this electrical equipment, basic safety precautions should always be followed, including the following:

IMPORTANT SAFETY INSTRUCTIONS

1. READ AND FOLLOW ALL INSTRUCTIONS

2. **!WARNING** Do not permit children under the age of 16 to use this steambath.
3. **!WARNING** Steam is hot and can cause injury or death if improperly used. Steam rooms contain steam and elevated temperatures. Please read and observe all warnings in this manual before installing or using a steam room.
4. **!WARNING** To reduce the risk of injury:
 - A. The wet surfaces of steam enclosures may be slippery. Use care when entering or leaving.
 - B. The steam head is hot. Do not touch the steamhead and avoid the steam near the steamhead.
 - C. Prolonged use of the steam system can raise excessively the internal human body temperature and impair the body's ability to regulate its internal temperature (hyperthermia). Limit your use of steam to 10-15 minutes until you are certain of your body's reaction.
 - D. Excessive temperatures have a high potential for causing fetal damage during the early months of pregnancy. Pregnancy or possibly pregnant women should consult a physician regarding correct exposure.
 - E. Obese persons and persons with a history of heart disease, low or high blood pressure, circulatory system problems, or diabetes should consult a physician before using a steambath.
 - F. Persons using medication should consult a physician before using a steambath since some medication may induce drowsiness while other medications may affect heart rate, blood pressure and circulation.

SAVE THESE INSTRUCTIONS

HYPERTHERMIA occurs when the internal temperature of the body reaches a level several degrees above the normal body temperature of 98.6° F. The symptoms of hyperthermia include an increase in the internal temperature of the body, dizziness, lethargy, drowsiness, and fainting. The effects of hyperthermia include:

- a) Failure to perceive heat;
- b) Failure to recognize the need to exit the steambath;
- c) Unawareness of impending risk;
- d) Fetal damage in pregnant women;
- e) Physical inability to exit the steambath; and
- f) Unconsciousness.

!WARNING

The use of alcohol, drugs, or medication can greatly increase the risk of hyperthermia.

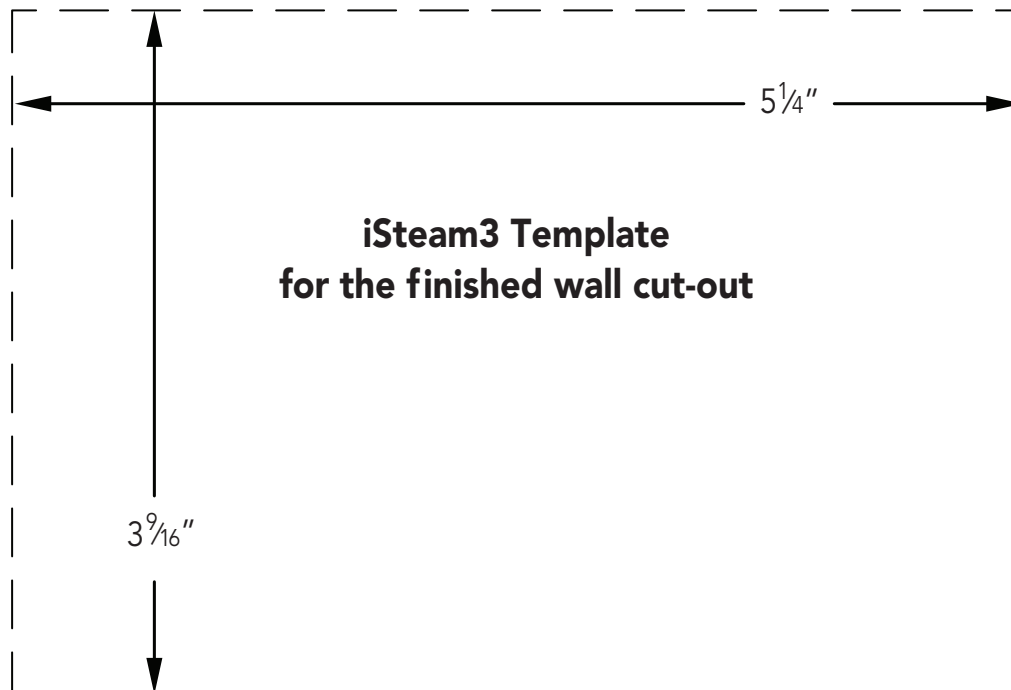


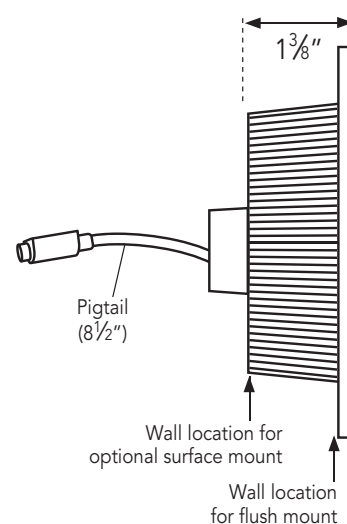
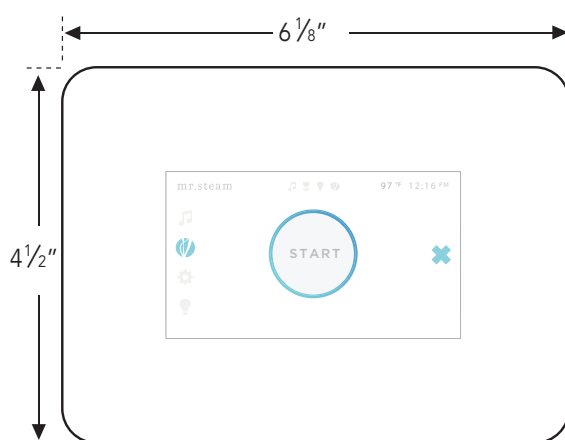
Table of Contents:

Important Safety Instructions.....	2
INSTALLER INFORMATION	
Installation Template	2
Box Content	3
Dimensional Information	3
Before Installing.....	4
Locating the Control.....	5
Installation with Rough-In Box.....	5-6
Installation without Rough-In Box	6
iSteam®3 Installation	7-8
USER/HOMEOWNER INFORMATION	
Operating Instructions	
Stand-By, Start, Dashboard, Set Timer.....	9
Set Temperature, User Settings	10
ChromaSteam®.....	10
AudioSteam, AromaSteam	11
Optional Accessories	11
Settings: System Setting, Date and Time	12
AutoStart, Passcode, About	13
System Log	13
Care Tips, Safety & Operating Info	14
Warranty.....	14

Box Contents:

- iSteam®3 Control
- Control Cable (30 ft.)
- Steamhead
- Tube of Silicone Sealant
- Owner's Manual
- Rough-In Box

Dimensional Information



Before Installing

!WARNING To avoid unintentional steambath operation, do not locate the control where other controls, accessories, shower heads, valves, body sprays or similar within the shower could cause confusion or interfere with the MrSteam control's intended use and function.

!CAUTION

- To prevent possible injury Do Not use the iSteam®3 control without reading and understanding the MrSteam steam generator Installation and Operation Manual.
- A peel and stick warning sticker is provided in the MrSteam steam generator Installation, Operation and Maintenance Manual. This manual is provided with every steam generator. The warning sticker must be read and permanently affixed in a conspicuous location near the steam room. Failure to read and affix this warning sticker in a conspicuous location may result in serious injury or death. Please call MrSteam at 800 767-8326 for a free replacement or if you have any questions regarding the warning sticker.

! WARNING	
REDUCE THE RISK OF OVERHEATING AND SCALDING	
1. EXIT IMMEDIATELY IF UNCOMFORTABLE, DIZZY OR SLEEPY. STAYING TOO LONG IN A HEATED AREA IS CAPABLE OF CAUSING OVERHEATING.	
2. CHILDREN UNDER THE AGE OF 16 SHOULD NOT USE THE STEAM BATH.	
3. CHECK WITH A DOCTOR BEFORE USE IF PREGNANT, DIABETIC, IN POOR HEALTH OR UNDER MEDICAL CARE.	
4. BREATHING HEATED AIR IN CONJUNCTION WITH CONSUMPTION OF ALCOHOL, DRUGS, OR MEDICATION IS CAPABLE OF CAUSING UNCONSCIOUSNESS.	
5. DO NOT CONTACT STEAM HEAD OR STEAM AT THE STEAM HEAD.	
REDUCE THE RISK OF SLIPPING AND FALL INJURY	
1. USE CARE WHEN ENTERING OR EXITING THE STEAM ROOM. FLOOR MAY BE SLIPPERY	
NOTE: FOR ADDITIONAL SAFETY CONSIDERATIONS SEE OWNER'S MANUAL WHICH IS KEPT.	
THE OWNER'S MANUAL CAN BE FOUND AT WWW.MRSTEAM.COM OR BY SCANNING THE QR CODE.	
USE OF STEAM ROOM IN CONJUNCTION WITH CONSUMPTION OF ALCOHOL CAN BE DANGEROUS AND CAN RESULT IN INJURY THROUGH SLIP AND FALL OR OTHERWISE.	
mr.steam® 43-20 34th Street, Long Island City NY 11101 1 800 76 STEAM www.mrsteam.com PUR100378 7/14	

Not actual size

- If an iSteam3 control is installed outside the steam room a Remote Temperature Probe (PN MST5) must be installed inside the steam room per installation instructions supplied with the Remote Temperature Probe. Failure to install according to instructions will result in an inoperative control and overheating of the steam room.

!CAUTION Do not route iSteam3 control wiring inside conduit together with power lines or close to hot water or steam piping. Doing so may result in an inoperative or hazardous installation. Do not alter or modify any Mr. Steam products including the steam generator or iSteam3 control. Doing so may result in an inoperative or hazardous installation and will void the warranty.

IMPORTANT NOTES:

- The iSteam3 Control is designed to be flush mounted. However, the control may be surface mounted when conditions permit. Consult a MrSteam Customer Service or Technical Service representative to determine if the iSteam3 control can be surface mounted.
- Turn power to the steam generator OFF before connecting the control to the generator. Failure to turn the power off will result in an inoperable control.
- Do not operate the iSteam3 control with other than a MrSteam iSteam3 compatible steam generator. MrSteam residential steam generators with serial numbers lower than 1174000, or any other brand of steam generator are not to be operated with iSteam3 controls. Doing so may result in an inoperative installation. If your generator's serial number is lower than 1174000 contact MrSteam Technical Service for upgrade options and components to enable your steam generator to function with iSteam3.
- This document contains important safety, operation and maintenance information. Leave this document with the homeowner. Do not discard this document.
- Discontinue use of the steam generator or control if the steam generator is damaged or otherwise not functioning properly. Doing so may result in an inoperative or hazardous installation
- Refer to the Steambath Generator Installation, Operation and Maintenance Manual for locating and installing the steamhead.

!WARNING Do Not alter or modify any MrSteam products. Doing so may result in an inoperative or hazardous installation and will void the warranty.

Locating the Control

Determine the desired installation location of the control. The iSteam®3 controls are designed to be installed inside or outside the steam room as a matter of personal preference. If the control is installed inside the steam room:

- Locate the control 4-5 feet above the floor near the bather seating area.
- The control features an integral temperature sensor. Locate the control in a location representative of the desired steam bathing temperatures. Do not locate the control above or near the steam head or direct steam emissions.
- Locate the control on a vertical wall.
- The control cable is 30 feet. Insure that the control and steam generator are located accordingly.

IMPORTANT NOTES:

- If required, contact MrSteam to purchase an optional 60' iSteam3 control cable part number 104117-60.
- If the control is installed outside the steam room a Remote Temperature Probe Part Number MSTS must be installed inside the steam room. Refer to the MSTS installation manual before installing the control.
- Insure MrSteam steam generator is iSteam3 compatible and has a serial number 1174000 or higher.

Installation with Optional Rough-In Box

A rough-in box is supplied with iSteam3 for new construction. The rough-in box will allow precise location of the iSteam3 control and provide a secure and easily identifiable place for the cable while the steam room is being constructed.

STEP 1 Take the rough-in box out of the package. Remove the two screws (1a) and place them in the top and bottom wings of the rough-in box (1b).

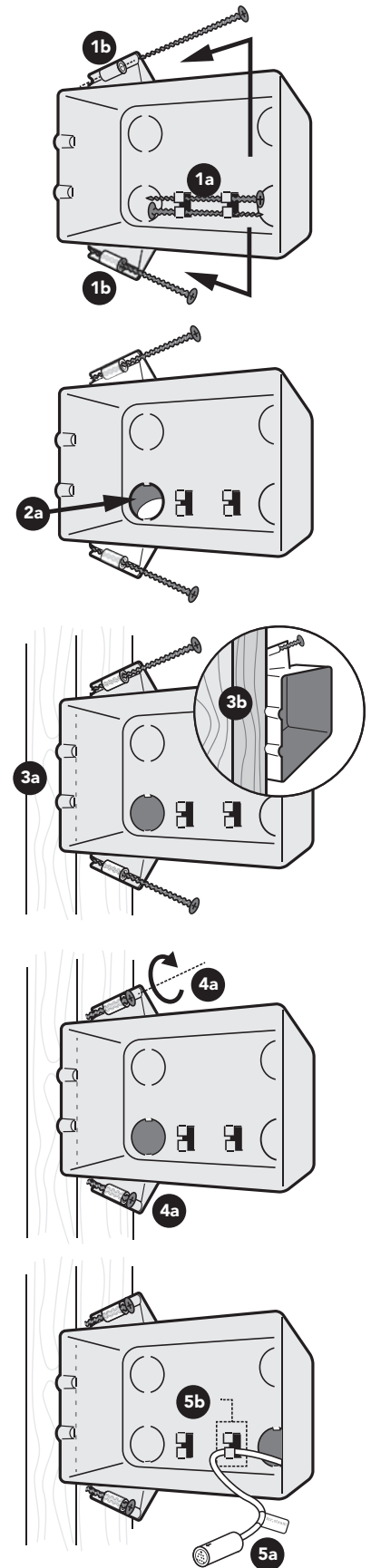
STEP 2 Select a KNOCK-OUT (2a) to route the control cable into the box.

STEP 3 Line up the two TABS (3a) on the right side of the box against a stud. These TABS help locate the box to sit PROUD of the stud (3b).

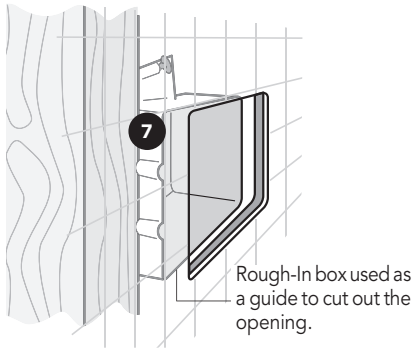
STEP 4 SCREW (4a) the two supplied screws into the stud.

STEP 5 Route the CONTROL CABLE (5a) through the back of the rough-in box and clip it under one of the TABS (5b) that previously held the screws. The two ends of the control cable are the same.

IMPORTANT NOTE: The control cable should be run in a dedicated 1" conduit to facilitate installation and service.



Installation with Optional Rough-In Box (cont.)



IMPORTANT NOTE: Be careful not to strain, staple, pinch or otherwise damage the cables. Route cables as required to permit replacement. Do not route cables inside conduit together with power lines or close to hot water or steam piping.

STEP 6

Use the rough-in box as a guide to cut out the (3⁹/₁₆" x 5¹/₄") opening in the wall.

Finish the iSteam®3 installation using the instructions on page 7.

Installation without Rough-In Box

STEP 1

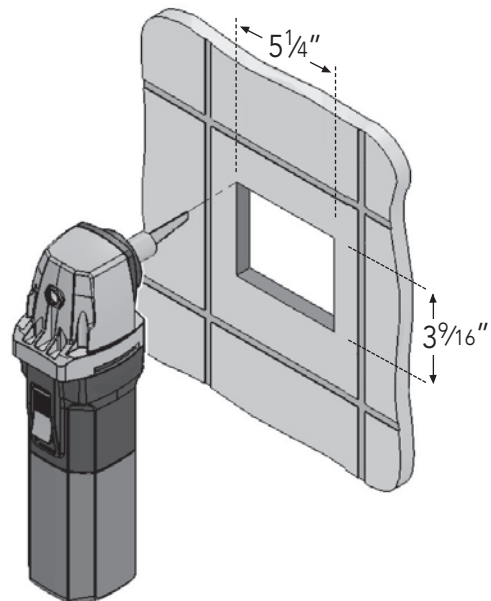
Make a 3⁹/₁₆" x 5¹/₄" cut-out in the desired location using the template provided on page 2 of this manual.

STEP 2

Route the control cable from the wall cutout to the steam generator. Connect one end of the cable to the steam generator connector. The two ends of the control cable are the same.

IMPORTANT NOTE: Be careful not to strain, staple, pinch or otherwise damage the control cable. Route cable as required to permit replacement. Do not route cable inside conduit together with power lines or close to hot water or steam piping.

Finish the iSteam3 installation using the instructions on page 7.



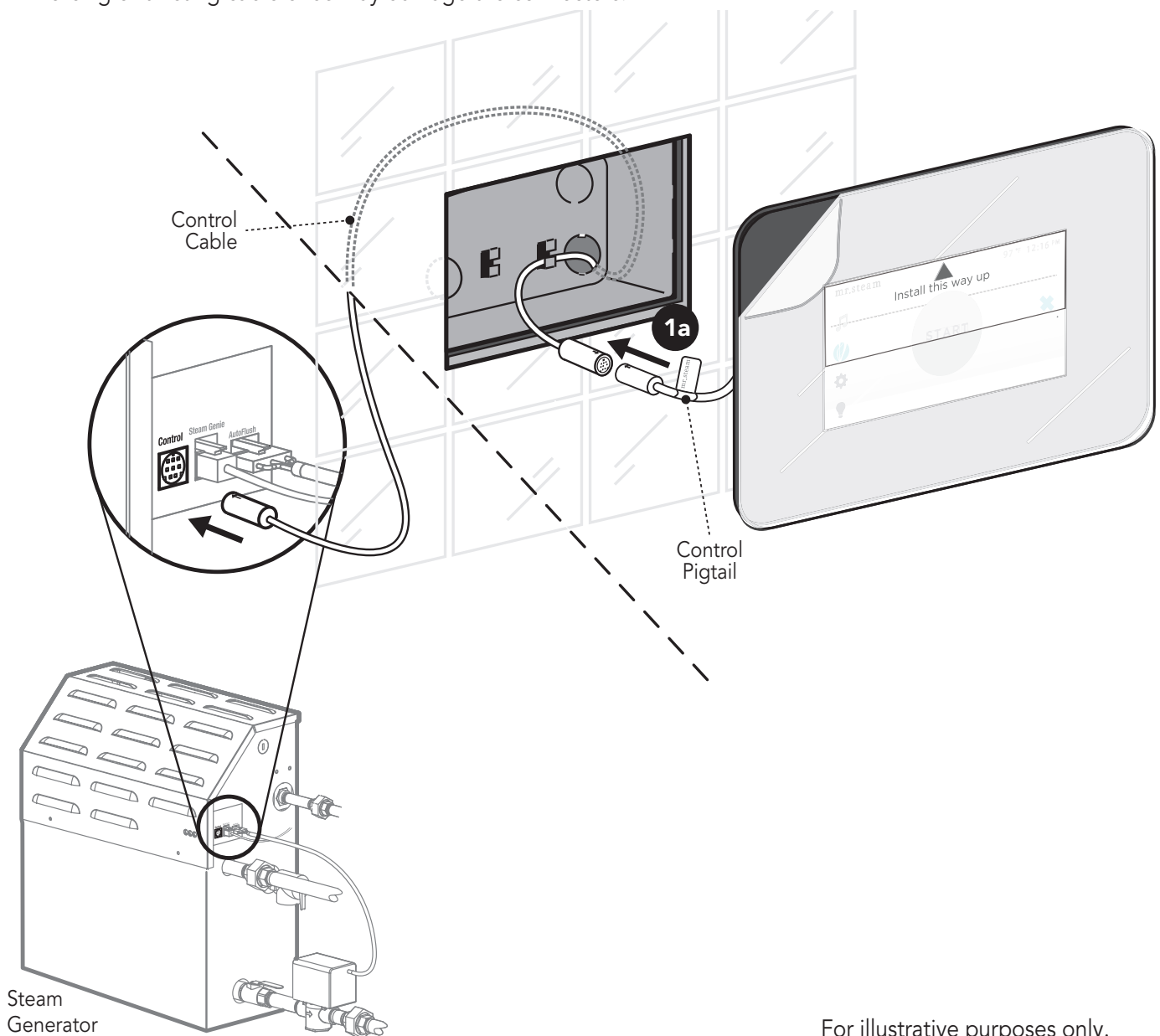
Installation Instructions for iSteam®3

STEP 1

PLUG the 30' control cable into the iSteam3 control pigtail (1a).

Turn the generator on and test the control to verify correct connection. With proper function, proceed to Step 2.

! CAUTION Do not force or twist cable ends together. Forcing or twisting cable ends may damage the connectors.



For illustrative purposes only.

Installation Instructions for iSteam®3 (cont.)

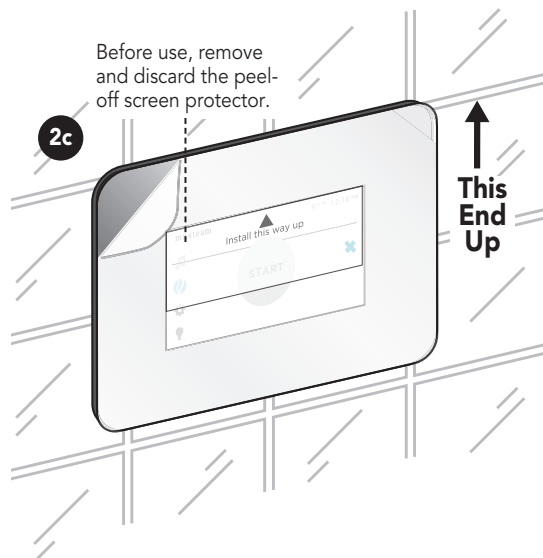
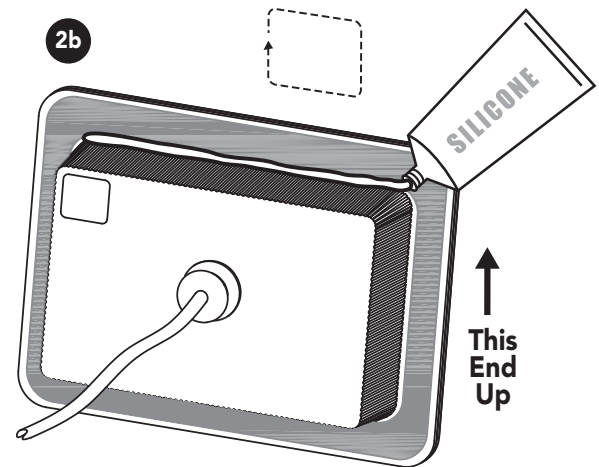
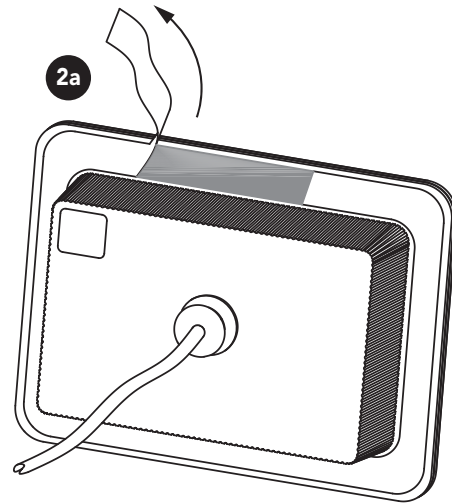
STEP 2

Peel the double stick adhesive off the back of the iSteam3 control (2a). Apply a bead of silicone around the rear of the iSteam3 control to create a moisture seal (2b). Carefully feed the cables into the rough-in box and secure the control to the wall. Care must be taken to not pinch the cables. Ensure the control is level.

IMPORTANT NOTE: The control must be installed with the arrow on the Peel-Off screen protector facing up. If the Peel-Off screen protector has been removed see the drawing in Step 2b for the proper orientation. The control display can be flipped 180 degrees in the settings menu if installed upside down.

NOTE: The silicone supplied by MrSteam can be used to meet a variety of sealing and gasketing. It cures to silicone rubber and adheres to glass, wood, metal, porcelain, ceramic tile, painted surfaces, many plastics and rubber. Surfaces must be clean and dry. Apply thin layer of product. Fit together and support if necessary. Allow excess material to cure, then trim with a sharp blade. Sealant "skins" in 5 minutes, dries to touch in 1 hour. Fully cures and bonds in 24 hrs.

IMPORTANT NOTE: Do not apply excessive amounts of silicone. Do not apply silicone to any other parts of the control including the adhesive gasket. Insure the mounting surface is clean and dry as required for good adhesion. Hold the control with the arrow on the screen protector facing up and press the control against the wall until the adhesive sticks and holds firmly. Control may have to be supported or secured until the silicone has cured for 24 hours.



READ ME FIRST!

! WARNING As you follow these instructions, you will notice warning and caution symbols. This blocked information is important for the safe and efficient installation and operation of this generator. These are types of potential hazards that may occur during installation and operation:

! WARNING Indicates a potentially hazardous situation, which, if not avoided, could result in death or serious injury.

! CAUTION Indicates a potentially hazardous situation, which, if not avoided may result in minor or moderate injury or product damage.

IMPORTANT NOTE: This highlights information that is especially relevant to a problem-free installation.

All information in these instructions is based on the latest product information available at the time of publication. Sussman-Automatic Corporation reserves the right to make changes at any time without notice.

When installing and using this electrical equipment, basic safety precautions should always be followed, including the following:

IMPORTANT SAFETY INSTRUCTIONS

1. READ AND FOLLOW ALL INSTRUCTIONS

2. **! WARNING** Do not permit children under the age of 16 to use this steambath.
3. **! WARNING** Steam is hot and can cause injury or death if improperly used. Steam rooms contain steam and elevated temperatures. Please read and observe all warnings in this manual before installing or using a steam room.
4. **! WARNING** To reduce the risk of injury:
 - A. The wet surfaces of steam enclosures may be slippery. Use care when entering or leaving.
 - B. The steam head is hot. Do not touch the steamhead and avoid the steam near the steamhead.
 - C. Prolonged use of the steam system can raise excessively the internal human body temperature and impair the body's ability to regulate its internal temperature (hyperthermia). Limit your use of steam to 10-15 minutes until you are certain of your body's reaction.
 - D. Excessive temperatures have a high potential for causing fetal damage during the early months of pregnancy. Pregnancy or possibly pregnant women should consult a physician regarding correct exposure.
 - E. Obese persons and persons with a history of heart disease, low or high blood pressure, circulatory system problems, or diabetes should consult a physician before using a steambath.
 - F. Persons using medication should consult a physician before using a steambath since some medication may induce drowsiness while other medications may affect heart rate, blood pressure and circulation.

SAVE THESE INSTRUCTIONS

HYPERTHERMIA occurs when the internal temperature of the body reaches a level several degrees above the normal body temperature of 98.6° F. The symptoms of hyperthermia include an increase in the internal temperature of the body, dizziness, lethargy, drowsiness, and fainting. The effects of hyperthermia include:

- a) Failure to perceive heat;
- b) Failure to recognize the need to exit the steambath;
- c) Unawareness of impending risk;
- d) Fetal damage in pregnant women;
- e) Physical inability to exit the steambath; and
- f) Unconsciousness.

! WARNING The use of alcohol, drugs, or medication can greatly increase the risk of hyperthermia.

! WARNING The peel and stick warning label located in the steam bath generator manual is an essential part of providing a safe environment for steam room users. The peel and stick warning label must be applied to the wall of the shower or steam enclosure, at a point that is visible to all users. Failure to install this sticker may result in serious injury or death.

The location where this owner's manual is kept shall be written in the space provided on the label using permanent ink.

For a replacement warning label contact MrSteam customer service at 1-800-76-STEAM or hello@mrsteam.com

 WARNING
REDUCE THE RISK OF OVERHEATING AND SCALDING
<ol style="list-style-type: none"> 1. EXIT IMMEDIATELY IF UNCOMFORTABLE, DIZZY OR SLEEPY. STAYING TOO LONG IN A HEATED AREA IS CAPABLE OF CAUSING OVERHEATING. 2. CHILDREN UNDER THE AGE OF 16 SHOULD NOT USE THE STEAM BATH. 3. CHECK WITH A DOCTOR BEFORE USE IF PREGNANT, DIABETIC, IN POOR HEALTH OR UNDER MEDICAL CARE. 4. BREATHING HEATED AIR IN CONJUNCTION WITH CONSUMPTION OF ALCOHOL, DRUGS, OR MEDICATION IS CAPABLE OF CAUSING UNCONSCIOUSNESS. 5. DO NOT CONTACT STEAM HEAD OR STEAM AT THE STEAM HEAD.
REDUCE THE RISK OF SLIPPING AND FALL INJURY
<ol style="list-style-type: none"> 1. USE CARE WHEN ENTERING OR EXITING THE STEAM ROOM. FLOOR MAY BE SLIPPERY
<p>NOTE: FOR ADDITIONAL SAFETY CONSIDERATIONS SEE OWNER'S MANUAL WHICH IS KEPT: _____</p> <p>THE OWNER'S MANUAL CAN BE FOUND AT WWW.MRSTEAM.COM</p>
<p>USE OF STEAM ROOM IN CONJUNCTION WITH CONSUMPTION OF ALCOHOL CAN BE DANGEROUS AND CAN RESULT IN INJURY THROUGH SLIP AND FALL OR OTHERWISE.</p>
<p>mr,steam® 43-20 34th Street · Long Island City NY 11101 1 800 76 STEAM · www.mrsteam.com PUR100378 7.14</p>

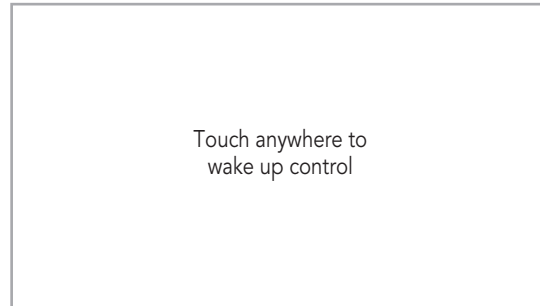
Not actual size.

Operating Instructions

!WARNING Set the steam bathing duration and temperature according to personal preference, however it is highly recommended to begin steam bathing at a low temperature setting to gauge comfort and safety levels. Set the duration at 10 minutes max. to gauge comfort and safety levels. This will allow the steam generator to heat up and begin producing steam.

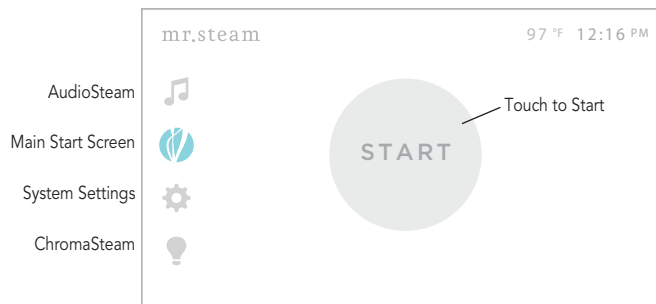
Stand-By Screen

Touch anywhere on the clock screen to enter the Start Screen.



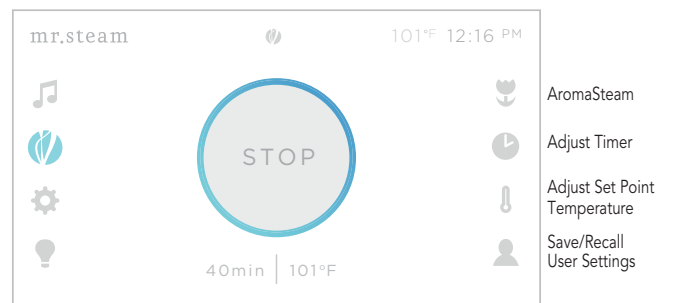
Start Screen

Press the START button to turn the steam generator ON and to display the Dashboard screen. Steam will begin to flow a few minutes after the START button is pressed. The time required for the steam room to reach steam bathing temperatures depends on the steam room construction and steam generator specifications.



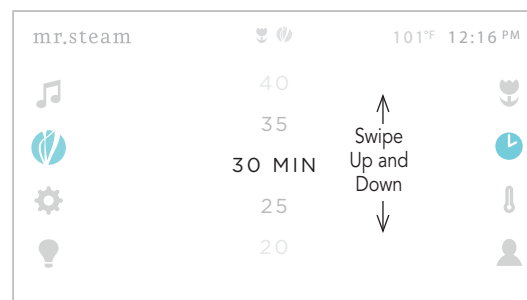
Dashboard Screen

The Dashboard displays key steam bathing features and optional accessories in one convenient screen. The key features include TIME, TEMPERATURE and USER settings. The optional accessories include the ChromaSteam®, AromaSteam and AudioSteam.



Set Timer Screen

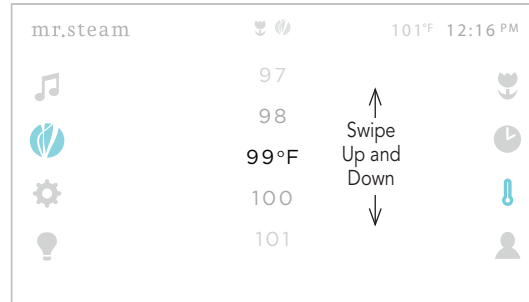
Press the TIMER button on the Dashboard to access the SET TIMER screen. Swipe your finger up/down to select the desired time (1-60 minutes). The control will turn off when the steambath session times out. Then the START screen will be displayed.



Set Temperature Screen

Press the TEMPERATURE button on the Dashboard to access the SET TEMPERATURE screen.

The control is preset and will display a temperature setting of 110°F (default setting). Swipe your finger up and down to adjust the desired temperature (80° - 120° F) in one degree increments.



User Settings

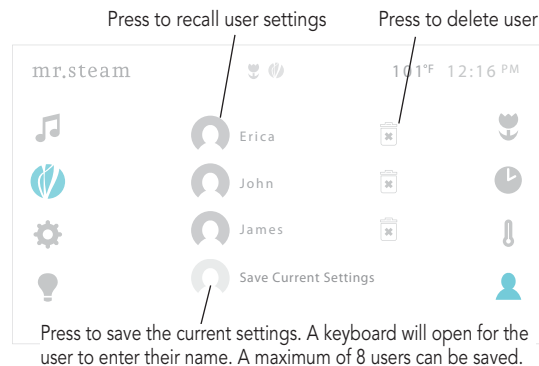
Press the SAVE/RECALL user settings button.

To save the settings press the SAVE CURRENT SETTINGS button. A keyboard will pop up where the user name can be entered.

To recall the user settings press the user's name.

To remove the settings press the delete icon.

A maximum of 8 user settings can be saved.

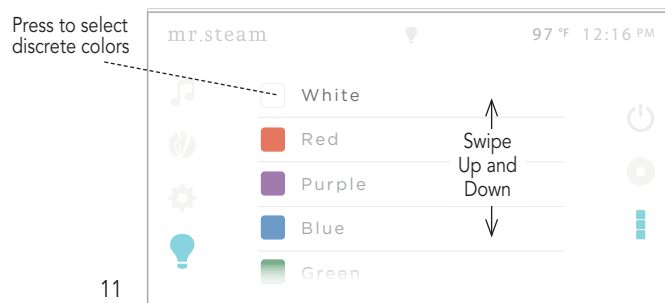
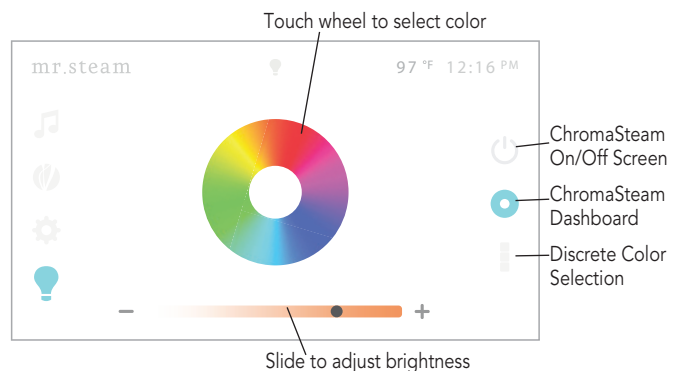
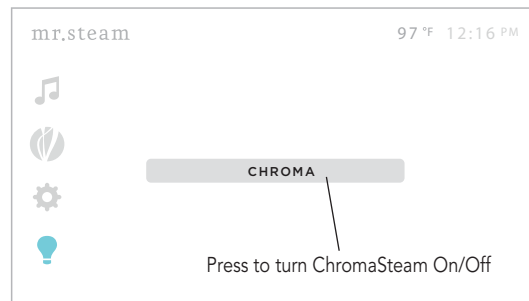


ChromaSteam® !


The ChromaSteam is an optional accessory that activates colored lights in the steam room. Press the CHROMA button to turn it ON. When ChromaSteam is on, press the CHROMA button to turn it off.

Press the ChromaSteam Dashboard button to bring up the color wheel. Touch anywhere on the wheel to select that color. To adjust the brightness, use the slider on the bottom of the ChromaSteam Dashboard. The slider will change color to show current color selection. (Note: Brightness cannot be adjusted in automatic color changing modes)





Press the Discrete Color Selection button to pick a preselected list of colors, have white light, or slow or fast changing color modes.



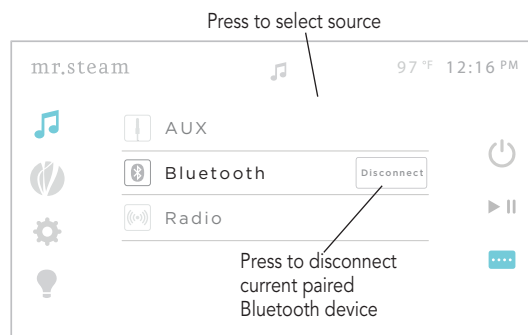
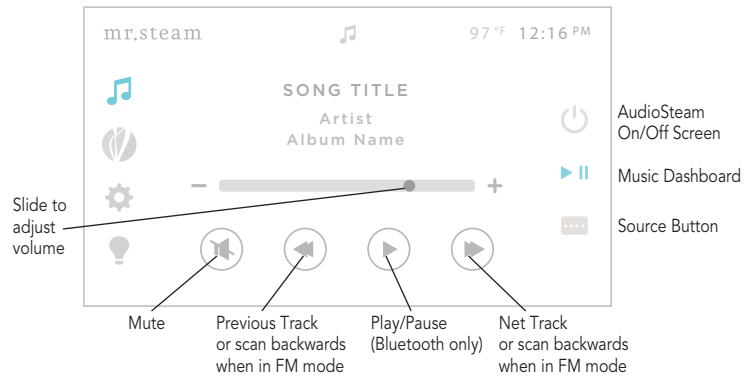
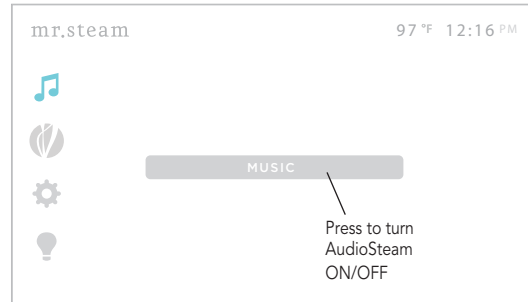
AudioSteam

Press the music icon  to access the AudioSteam screen.
 Press the MUSIC button to turn on AudioSteam.
 When AudioSteam is ON, pressing the MUSIC button will turn it OFF.

Press the AudioSteam Dashboard button to control the music. When paired to a Bluetooth® device, iSteam®3 will display the song title, artist and album name. If listening to the FM radio, the station number will be shown. This space is blank if playing music from a hard wired source.

-  Mute
-  Previous Track or scan backwards when in FM mode
-  Play/Pause (Bluetooth only)
-  Next Track or scan backwards when in FM mode

If you are using a Bluetooth audio source, it must be connected for functions to work. Please refer to the Bluetooth pairing instructions in the AudioSteam IOM.
 Press the Source button to select hardwired AUX source, Bluetooth source or the FM radio. To unpair the current connected Bluetooth device, press the DISCONNECT button.



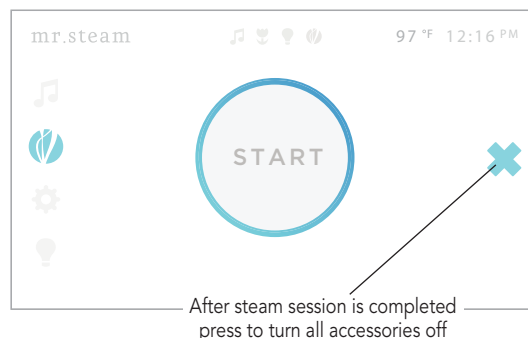
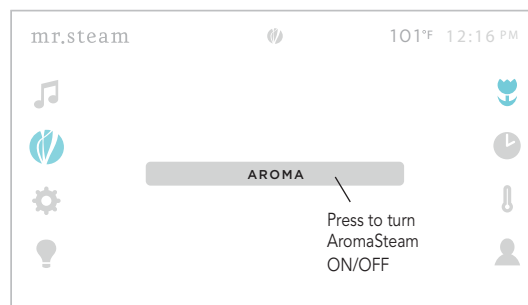
AromaSteam

The AromaSteam is optional accessory that automatically infuses aromatic oils into the steam flow. Press the AromaSteam icon to bring up the AromaSteam Dashboard. Press the AROMA button to turn it ON.

The AromaSteam turns OFF automatically when the steam generator stops.

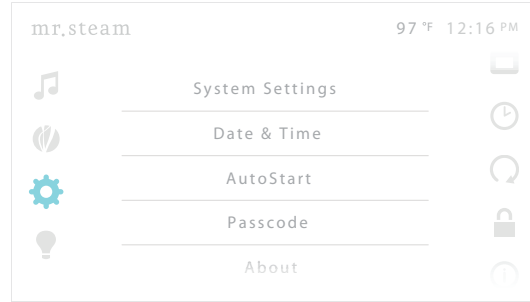
Press the AROMA button to turn it OFF during a steam session.

After the steam session has ended the AudioSteam and ChromaSteam® will remain ON. They can be turned OFF individually by navigating to each's power button, or both can be turned OFF by pressing the OFF icon that appears on the START screen.








Settings Screen

The Setting Screen allows access to less frequently used screens.

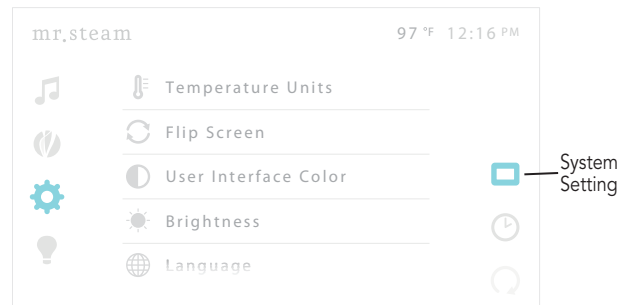


System Setting

Scroll through the System Settings list and select which to adjust.

-  Temperature Units. Adjust between °F and °C
-  Flip Screen. Rotates the screen 180° in case the control was installed upside down
-  User Interface Color: Toggle between a white and black background
-  Brightness: Adjust the screen brightness
-  Language: Change the language used in the user interface

Once the setting is changed, press the System Setting button in the menu on the right to exit



Date and Time

Scroll up and down to select the date and time. Once selected, press the Set Date and Time button in the menu on the right to exit



AutoStart

!WARNING AutoStart will automatically turn the steam generator on at your preset time. Activating the steam in an occupied room may subject persons to the hazards described in this manual. Only activate the steambath if the steam room door is closed. Activating or using the steambath with an open door may cause property damage or injury to persons outside of the steam bath.

The AutoStart feature can be used to turn on the steambath at a predetermined time. Select the day(s) of the week and the time of day you would like to turn the steam bath on.

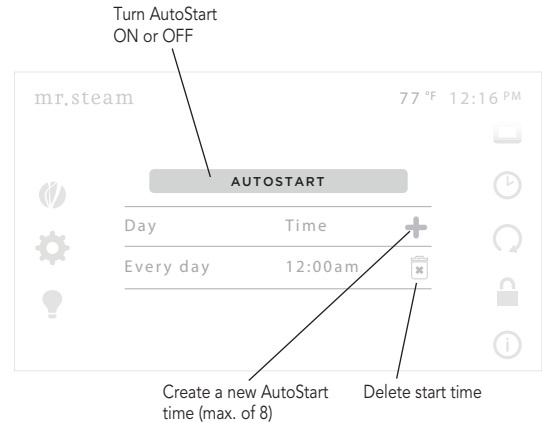
When AutoStart starts your steambath it will allow the steambath to run for only 10 minutes. To continue steam bathing press the continue button. If the continue button is pressed, AutoStart will remain active for the next scheduled start time.

To stop the steam bath press the STOP button.

If the STOP button or 10 minute time out turns the steam generator off, AutoStart will automatically be deactivated.

To create an AutoStart time, press the **+** icon. Select the start time to adjust the day and time for AutoStart. A maximum of 8 start times can be programmed. To delete a start time, press the trash can icon.

To turn AutoStart ON, press the AutoStart button above the start time list.



Passcode

The Passcode feature can help prevent unintentional use of the steambath. Please refer to the steam generator Installation, Operation and Maintenance manual before using the steambath. The Passcode feature cannot insure unintentional use of the steambath.

To turn the Passcode lock ON or OFF, press the lock icon.

Enter a 4 digit passcode using the keypad. Press the entire button to SAVE the passcode. The next time the iSteam3 control is turned on the user will be prompted to enter the passcode. Press the Back button to exit without storing the passcode lock.

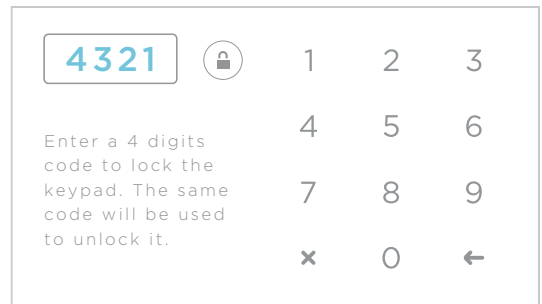
If you forget your passcode, power should be turned off at the circuit breaker. After 1 minute turn the breaker back on. The passcode lock will automatically be turned OFF.

About Screen

Press ABOUT to view the accessories connected to the steam generator.

System Log

Press SYSTEM LOG to view an error log created by the steam generator.



!WARNING To prevent injury and/or equipment damage all troubleshooting is to be performed by qualified licensed electrician or plumber. Contact MrSteam technical support at 1-800-727-8326 (East coast) or 1-800-727-8326 (West coast) in the event that iSteam®3 displays an error code.

Care Tips

Use only mild soap and water on a soft cloth to clean the control. Do not use abrasive cleansers.

Safety and Operating Information

!WARNING A peel and stick warning sticker is provided in the MrSteam steam generator Installation, Operation and Maintenance Manual. This manual is provided with every steam generator. The warning sticker must be read and permanently affixed in a conspicuous location near the steam room. Failure to read and affix this warning sticker in a conspicuous location may result in serious injury or death. Please call MrSteam at 800 767-8326 for a free replacement or if you have any questions regarding the warning sticker.

!WARNING Set the steam bathing duration and temperature according to personal preference, however it is highly recommended to begin steam bathing at a low temperature setting to gauge comfort and safety levels. Set the duration at 10 minutes max. to gauge comfort and safety levels. This will allow the steam generator to heat up and begin producing steam.

!CAUTION Do not use any iSteam®3 control without reading and understanding the MrSteam steam generator Installation and Operation Manual (PN 100472). Failure to read and understand these instructions may result in an inoperative or hazardous installation.

!CAUTION If an iSteam3 control is installed outside the steam room a Remote Temperature Probe (PN MST5) must be installed inside the steam room per installation instructions supplied with the Remote Temperature Probe. Failure to install according to instructions will result in an inoperative control and overheating of the steam room.

Warranty

To view or download the MrSteam Control Warranty and register your product go to: [**blog.mrsteam.com/wr**](http://blog.mrsteam.com/wr)

mr.steam[®]

Feel Good Inc.[®]

www.mrsteam.com

Products, information and specifications are subject to change without notice. For more information call Sales & Support at 1.800.76.STEAM (East Coast) or 1.800.72.STEAM (West Coast) for more information.

mr.steam[®] Sussman-Automatic Corporation[®] | hello@mrsteam.com | www.mrsteam.com
43-20 34th Street, Long Island City, NY 11101 | 9410 S. La Cienega Blvd. Inglewood CA 90301
1 800 767 8326 FAX: 718 472 3256 | 1 800 72 STEAM FAX: 310 216 2944

2017 © Sussman-Automatic Corporation | MrSteam and des., A Lifetime of Pleasure, AirTempo, AromaFlo, AudioWizard, AutoFlush, Butler Package, ChromaSteam, Clean Steam...Every Time, Club Therapy, Digital 1, Express Steam, Feel Good Inc., From Bathroom to Spa, iButler, iGenie, iSizing, iSteam, Making Wellness a Way of Life, Music Therapy, Spa Package, Steam on Demand, Steam@Home, iTempo, iTempo/Plus, SmartSizing, SteamStart, SteamStop, SteamTherapy, Sussman, Tala, Bath & Body Therapy, The Intelligent Steambath, Valet Package, Virtual Spa System, Voice Genie and Voice Wizard are registered trademarks of Sussman-Automatic Corporation.

PUR 100514 REV 7.17

INSTALLATION INSTRUCTIONS

IMPORTANT: See the Installation and Operation Manual provided with the steam generator for additional important steamhead & control installation and operation information.

Installation: Steam Head (1/2" NPT)

CAUTION INSTALLER: Because the steam head and direct steam emissions are very hot, locate the steam head where incidental contact by bather with the steam head or direct steam emission cannot occur.

STEP 1 Locate steam head 6-12 inches above floor, except for:

1. Tub/shower enclosures, install 6 inches above tub top edge.
2. For enclosures with acrylic or other non-heat resistant flooring install Acrylic Shield Part Number MS-103938.
3. To prevent door seals from deteriorating do not locate the steam head where direct steam emission would contact door seals.

STEP 2 Install steamhead with the oil well facing up as shown. Hand tightening is sufficient when teflon or equal pipe thread sealing compound is used.

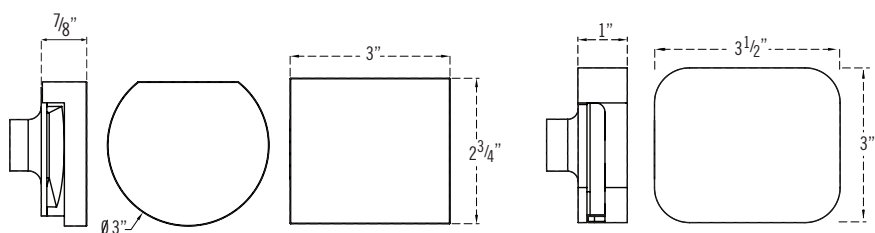
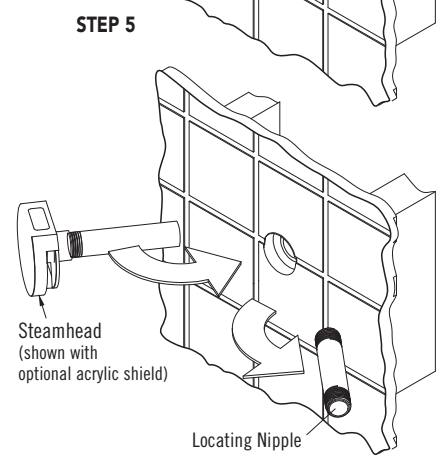
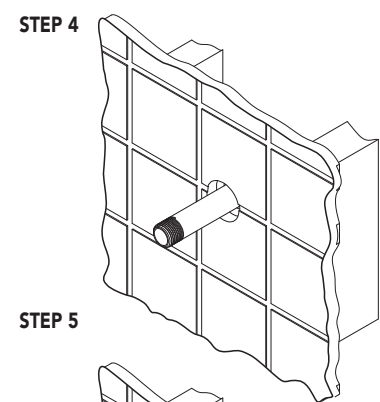
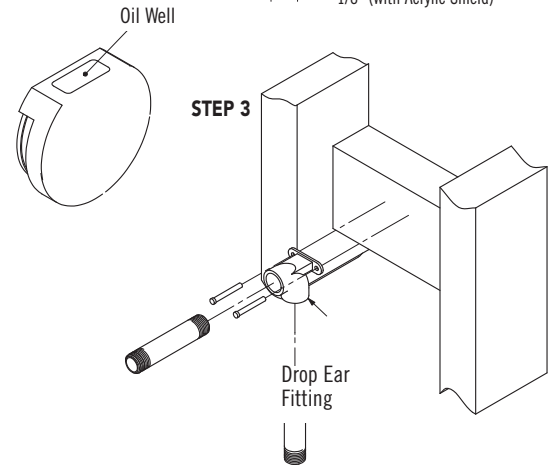
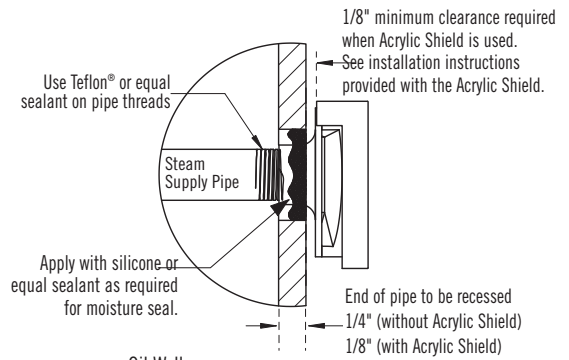
IMPORTANT NOTE: to preserve steam head finish, do not use wrench or other tools to tighten. DO NOT use abrasive cleansers or chemicals. Use only water with mild soap and a non-abrasive sponge.

CAUTION Consult with supplier of acrylic, fiberglass and other non-heat resistant enclosures for recommended steamhead location. Use Acrylic Shield part number MS-103938. See instructions provided with steam shield.

STEP 3 Secure a bronze drop ear fitting to a header and run a 1/2" copper steamline from the steam generator to the drop ear fitting. Install a temporary nipple (6" or longer) in the drop ear fitting to locate the steamhead after the wall is finished.

STEP 4 After the wall has been finished, mark on the nipple where the surface of the wall is. Remove the nipple and measure the portion that was in the wall (the end to your mark). Subtract 1/4" from that dimension and select a brass nipple of that length to finish the installation.

STEP 5 Wrap teflon tape around the threads of the new nipple and screw the nipple into the steamhead. Do not use wrenches or tools which would damage the steamhead's finish. Wrap teflon tape around the threads of the nipple and screw the nipple and steamhead assembly you just made into the drop ear fitting in the wall. The steamhead should be flush with the wall and the well must be facing up.



All drawings are for illustrative purposes only

READ ME FIRST!

As you follow these instructions, you will notice warning and caution symbols. This information is important for the proper, safe and trouble free installation of the Linear Steam Head. These are types of potential hazards that may occur if installation instructions are not carefully followed.

CAUTION This signals a situation where injury or property damage may occur if you do not follow instructions.

IMPORTANT NOTE: This highlights information that is especially relevant to a problem-free installation.

All information in these instructions is based on the latest information available at the time of publication. Sussman-Automatic Corporation reserves the right to make changes at any time without notice.

CAUTIONS

- Linear Steam Head model 104216 is suitable for MrSteam generator models MS90 – MS400, MSSUPER1–MSSUPER3, MX4 – MX6 and CT6 – CT15.
Do not use Linear Steam Head model 104216 for any other MrSteam steam generator. Do not use the Linear Steam Head with any steam generator that is not a MrSteam steam generator. Failure to follow these instructions may result in a leak within the wall cavity and cause problems associated with leaks, moisture and property damage from leaks.
- Do not use the Linear Steam Head with any steam generator that is not a MrSteam steam generator. Failure to follow these instructions result in steam head operation where incidental contact by the bather with direct steam emission cannot occur. Do not locate the steam head in any location where the steam emission zone is near a seat, bench or any space occupied by any persons. Failure to follow these instructions may result in a hazardous condition, scalding or personal injury.
Using model 104216 for any steam generator model larger than the MS Super 3, or for any non MrSteam brand generators may result in an improper installation or hazardous condition.
- MrSteam steam generators Models MX4, MX5 and MX6 require two 104216 steam heads. Failure to use two steam heads may result in steam head operation where incidental contact by the bather with direct steam emission may occur. Do not locate the steam head in any location where the steam emission zone is near a seat, bench or any space occupied by any persons. Failure to follow these instructions may result in a hazardous condition, scalding or personal injury.
- Because the steam head and direct steam emission are very hot, locate the steam head where incidental contact by the user with the steam head or direct steam emission cannot occur.
- Model 104216 Linear Steam Heads are for residential and Day Spa use only. Do not use Model 104216 Linear Steam

Heads for commercial installations or with commercial (CU) steam generators. Using Model 104216 Linear Steam Heads for commercial installations or with commercial (CU) steam generators may result in steam head operation where incidental contact by the bather with direct steam emission may occur. Failure to follow these instructions may result in a hazardous condition, scalding or personal injury.

- Install in a horizontal orientation only. Installation in a non-horizontal orientation may concentrate the steam and result in excessive temperatures. Failure to install in a horizontal orientation may result in steam head operation where incidental contact by the bather with direct steam emission may occur. Failure to follow these instructions may result in a hazardous condition, scalding or personal injury.
- Insulate the steam head and piping as required to reduce temperatures within the wall cavity. Do not locate the steam head or plumbing near any materials, including wiring, devices, or products that may be adversely affected by elevated temperatures. Failure to follow these instructions may result in the failure of materials, including wiring, devices, or products.
- Steam bath controls feature an integral temperature sensor. Locate the steam head in a location where steam emissions will not directly come in contact with the steam control. Failure to follow these instructions may result in a hazardous condition, scalding or personal injury.
- Use the supplied high temperature silicone sealant or equal silicone based product. Do not seal the steam head with grout or any other material that may be compromised adversely by heat.
- The Linear Steam Head model 104216 must be installed by a qualified and licensed plumber. Failure to use a qualified and licensed plumber may result in a leak within the wall cavity and cause problems associated with leaks, moisture and property damage from leaks.

(continued on next page)

READ ME FIRST! (cont.)

CAUTION

- DO NOT use black iron pipe or galvanized pipe for the steam line. Use brass pipe or copper tubing only, and in accordance with national and local plumbing codes.
- Do not modify or alter the steam head. Do not cover, block or insert any product that is not a MrSteam supplied product into the steam outlet. Failure to follow these instructions may result in a leak within the wall cavity, or result in a hazardous condition and/or personal injury.

IMPORTANT NOTES:

- See the Installation and Operation Manual provided with the steam generator for additional important installation and operation information. If this installation and operation manual is not available then go to www.mrsteam.com for an online copy, or contact MrSteam Customer or Technical Services at 800-767-8326 or 800-727-8326 for a free copy.
- Do not disassemble the steam head. The steam head

is shipped fully assembled and requires no additional assembly. Failure to follow these instructions may result in a leak within the wall cavity and cause problems associated with leaks, moisture and property damage from leaks.

- Consult with supplier of acrylic, fiberglass and other non-heat resistant enclosures for elevated temperatures, steam, and moisture compatibility. Consult with supplier of acrylic, fiberglass and other non-heat resistant enclosures for recommended steam head locations.
- To prevent damage to property do not locate the steam head where steam, elevated temperatures, moisture or water can contact any products, wall surfaces, materials, door seals, devices, electronics that are not designed for steam, elevated temperatures, moisture or water.
- Do not use abrasive cleansers or chemicals to clean the steam head. Use only water with mild soap and a non-abrasive sponge. The use of abrasive cleansers or chemicals will damage the finish on the Linear Steam Head.

BOX CONTENTS:

- Linear Steam Head
- Silicone Sealant
- Installation Instructions

Generator Model	Number of Linear Steam Heads	Steam Emission Zone
MS90 – MS400	1	18"
Super1 – Super3	1	24"
MX4 – MX6	2	24"
CT6, CT9	1	18"
CT12, CT15	1	24"

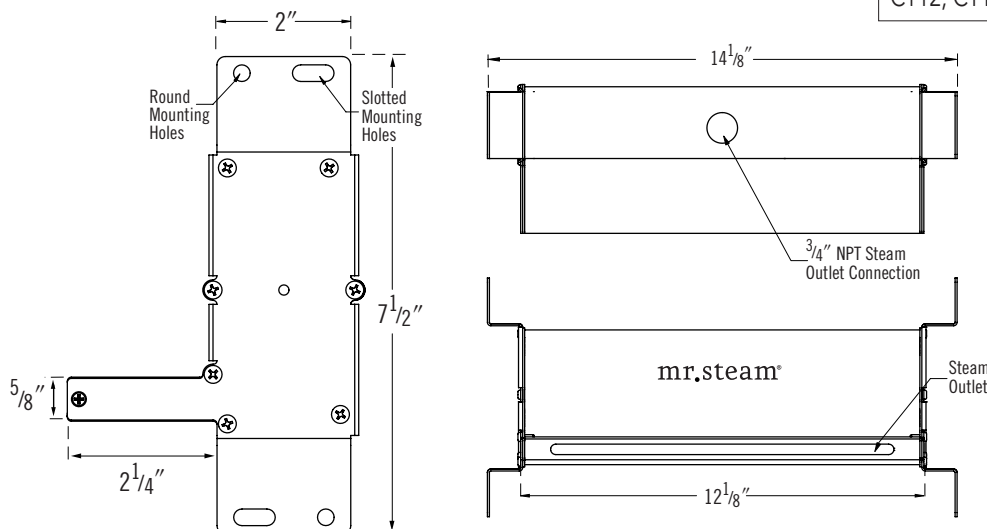


Figure 1

Installation Instructions: Model 104216

INSTALLATION STEPS

⚠ CAUTION Because steam emissions are very hot, locate the steam head where incidental contact by the bather with direct steam emission cannot occur. Do not locate the steam head in any location where the steam emission zone is near a seat, bench or any space occupied by any persons. See Fig. 2 for a diagram of the steam emission zone. Failure to follow these instructions may result in a hazardous condition, scalding or personal injury.

⚠ CAUTION Do not install a Linear Steam Head in a tub or acrylic/fiberglass shower enclosure. Failure to follow these instructions may result in a hazardous condition, scalding or personal injury

STEP 1. Locate the steam head 6-12" above the finished floor. Do not locate the steam head in any location where the steam emission zone is near a seat, bench, or any space occupied by any persons. See Fig. 2 for a diagram of the steam emission zone.

STEP 2. Confirm proper stud spacing: The studs must have a minimum spacing of 14-1/8" and a maximum spacing 14-1/2 ". If the stud spacing is outside the required range then shim or otherwise reposition the studs as required.

⚠ CAUTION Installing the steam head between incorrectly spaced studs may result in damage to the steam head and result in a leak within the wall cavity and cause property damage.

STEP 3. Determine the location of the finished wall surface. Mount the steam head between two studs using the four slotted holes to position the steam outlet face to be flush or extend 1/8" from the finished wall surface (see Fig. 4).

⚠ CAUTION Failure to position the steam head face to be flush or extended 1/8" from the finished wall surface may result in a leak within the wall cavity and cause problems associated with leaks, moisture and property damage from leaks.

STEP 4. Use a level to ensure the steam head is level (see Fig. 3) and the steam head face is flush or extends 1/8" from the finished wall surface. Install the four screws in the mounting holes to secure the steam head to the studs.

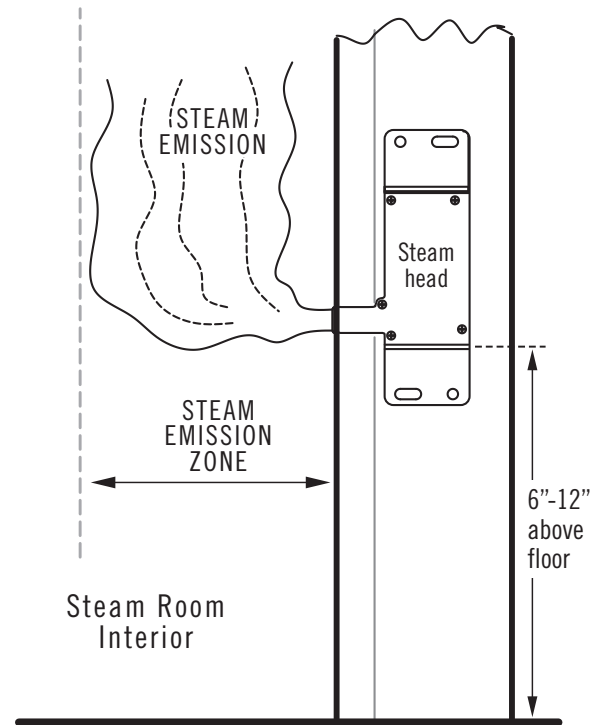


Figure 2

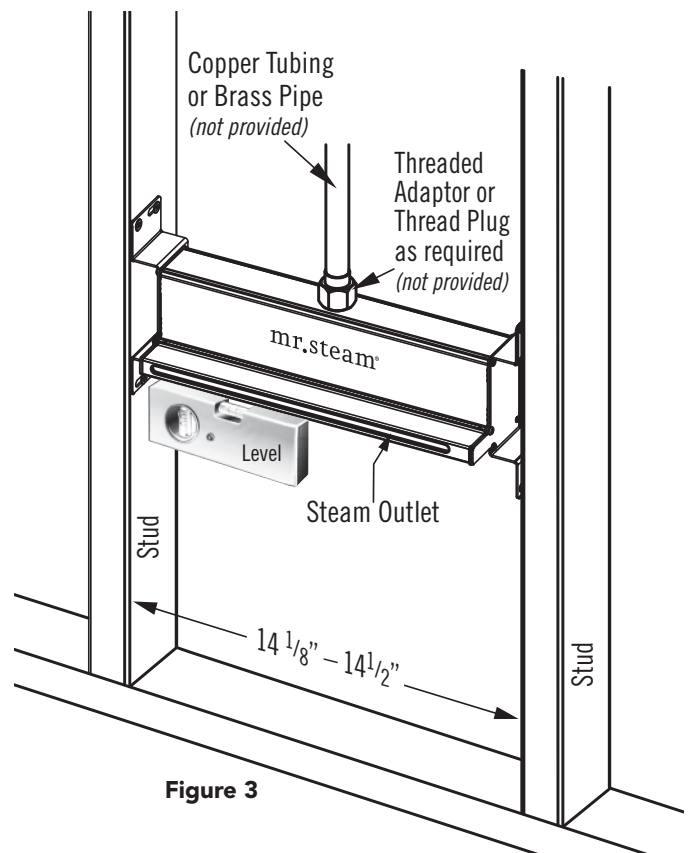


Figure 3

Installation Instructions: Model 104216

STEP 5. Plumb rigid copper tubing or brass pipe from the steam generator to the steam head. Plumbing must not form traps or valleys. Thread sealant must be used as required to ensure a leak free joint.

CAUTIONS

- Plumbing must be installed by a qualified and licensed plumber. Plumbing in a manner that results in traps or valleys in the pipe may result in a noisy or inoperable installation.
- Plumbing without proper thread sealant may result in a leak within the wall cavity and cause problems associated with leaks, moisture and property damage from leaks.
- DO NOT use black iron pipe or galvanized pipe for the steam line. Use brass pipe or copper tubing only, and in accordance with national and local plumbing codes.

STEP 6. Run the steam generator for a few steam cycles to observe and verify that the steam head, steam head installation and plumbing are correct and free of leaks.

STEP 7. Insulate steam line and steam head using insulation rated 212°F or higher. Insulate the steam head and piping as required to reduce temperatures within the wall cavity. DO NOT locate the steam head or plumbing near any materials, including wiring, devices, or products that may be adversely affected by elevated temperatures. Failure to follow these instructions may result in the failure of materials, including wiring, devices, or products.

STEP 8. After the finished wall surface has been installed use high temperature caulking around the steam outlet as required to make a waterproof seal. (see Fig. 4)

STEP 9. A plastic protective film has been provided to protect the steam head during installation. Remove the plastic protective film covering the steam outlet to complete the installation.

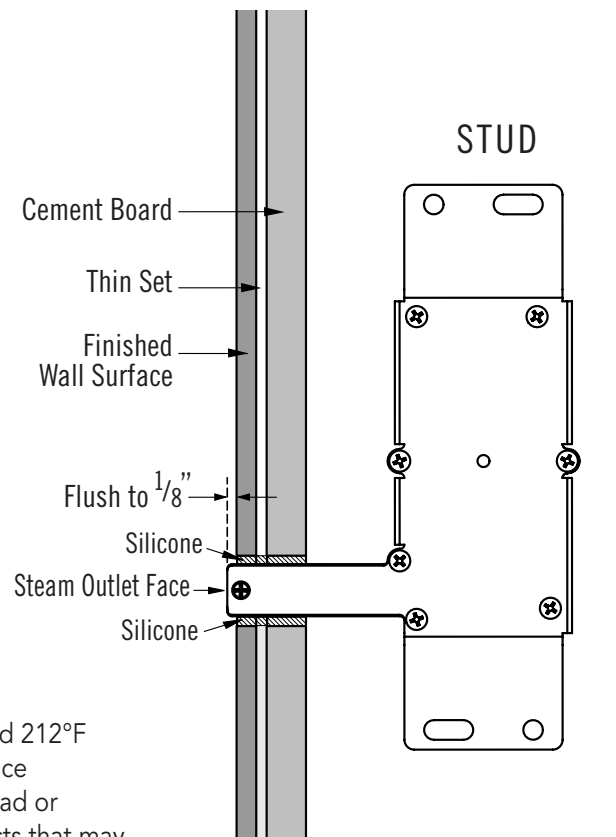


Figure 4

- Complete steam room tile construction information is available from the Tile Council of America, Inc. by purchasing the TCA Handbook for Ceramic Tile Installation. 864- 646-8453 or www.tileusa.com. Information on marble steam room construction is available from the Marble Institute of America www.marble-institute.com. Failure to follow these instructions may result in damage to tile, marble or other materials.
- Finished wall surface may be tile, marble, granite or other steam rated surface.
- MrSteam is not responsible for the steam room construction.
- Consult with qualified designer, architect or contractor for steam room construction.

For Installation assistance please call Customer or Technical support:

East Coast 1-800-767-8326 • West Coast 1-800-727-8326

To view an installation video please go to: www.mrsteam.com

This video is for added visual assistance only. Do not install the Linear Steam Head using the video.

Use only these installation instructions for a safe and problem free installation.

SteamLinx

INSTALLATION INSTRUCTIONS

SteamLinx Module and Mobile App allows for seamless control of time and temperature using your smart phone or mobile device. SteamLinx works with all MrSteam controls (for MS generators SN 1174000 and up).

These instructions contain safety alert symbols and panels. These alert symbols and panels identify potential safety hazards and provide important information for the installation and use of SteamLinx.

Read the Installation, Operation and Maintenance Manual for Steambath Generator Systems (PUR100472) before installation of SteamLinx to insure safety and proper installation of the steam Generator. A free replacement manual is available by calling MrSteam Customer Service, or it can be downloaded from mrsteam.com

All drawings for schematic purposes only.

Package Contents:

- SteamLinx A with Integral Cable
- SteamLinx B and Ethernet Cable
- Power Supply and Cable
- Instructions

⚠ WARNING Indicates a potentially hazardous situation, which, if not avoided, may result in death or serious injury.

⚠ CAUTION Indicates a potentially hazardous situation, which, if not avoided, may result in minor or moderate injury or product damage.

NOTICE is used to address practices not related to physical injury.

1

NOTICE Notice alert SteamLinx A and B signal range is limited max. distance of 60ft.

Connecting SteamLinx A to the Steam Generator

- Disconnect power to the generator at the breaker box.
- Locate the SteamLinx A (with the integral cable).

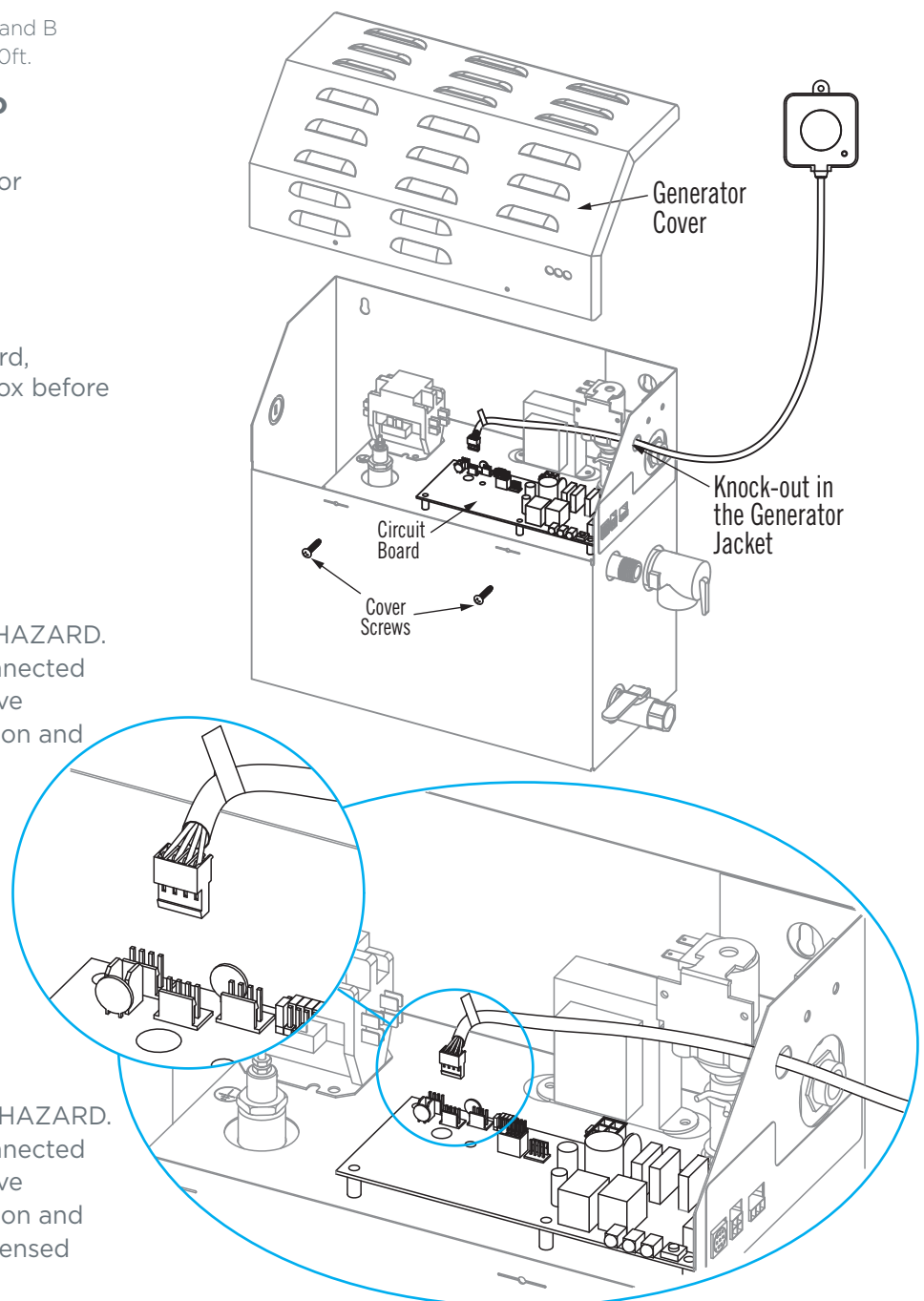
⚠ WARNING To prevent shock hazard, disconnect power at the breaker box before removing generator cover

- Remove knock-out.
- Remove generator cover.
- Route the SteamLinx A cable through the knockout

⚠ WARNING ELECTRICAL SHOCK HAZARD. MrSteam steam generators are connected to 240V line voltage and contain live electrical components. All installation and service must be performed by a licensed and qualified electrician.

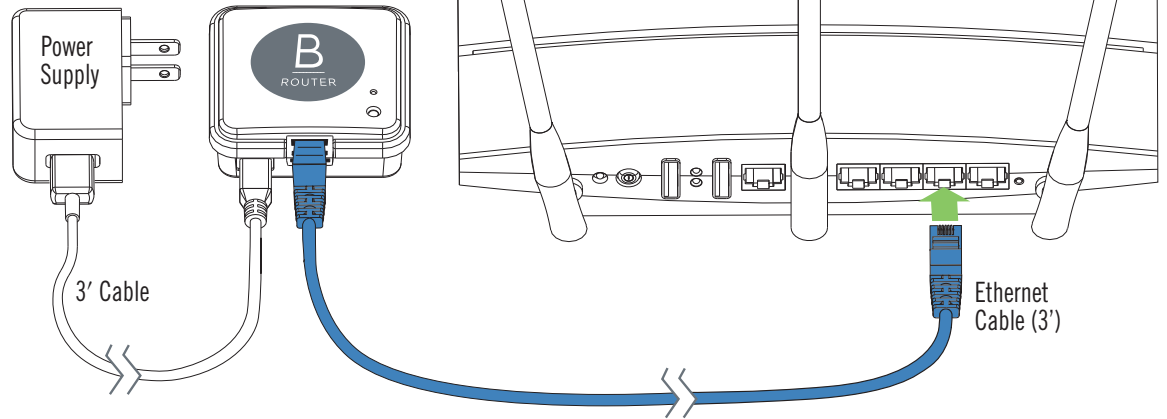
- Locate the circuit board.
- Plug the SteamLinx A into the white connector located at the far left side of the circuit board.
- Replace cover and screws.
- Restore power.

⚠ WARNING ELECTRICAL SHOCK HAZARD. MrSteam steam generators are connected to 240V line voltage and contain live electrical components. All installation and service must be performed by a licensed and qualified electrician.



2 Connecting SteamLinx B to the Home Router

- Plug the blue ethernet cable provided, into an ethernet slot on the back of the home router.
- Plug the power supply into a 120V outlet.



3 Connecting SteamLinx to the Internet

- Insure the mobile device is on the WiFi network.
- Download the SteamLinx App from the Apple Store or Google Play by following prompts.



4 Troubleshooting: Blinking LED Units are out of range or not paired

- Turn breaker off.
- Insure SteamLinx A is connected to the steam generator.
- Use a paperclip or similar blunt end object to press the reset button (above the LED) on SteamLinx B.
- The LED will flash yellow (it stays in pairing mode until it is paired or powered off).
- Turn the breaker to the steam generator ON, if the two transmitters are functioning correctly and within range the LEDs will turn blue.
- If the Blue, Green or Red LEDs are blinking the units are not pairing because they are out of range. Using an extension cord for power, move the SteamLinx B closer to SteamLinx A. Disconnect the ethernet cable (the router connection is not required for this test). If the LEDs stop blinking this confirms the units were out of range.

Troubleshooting: Indicator Lights

LEDs

- Yellow Blinking units are in pairing mode.
- Red Router not detected: problem with connections, router configuration or steam generator circuit board.
- Green SteamLinx B: router is detected but is not connecting to the internet. The indicator light on SteamLinx A will not be illuminated.
- Blue Units are connected correctly.

5 Tech Service Contact

CUSTOMER and TECH SUPPORT

Web: Visit mrsteam.com for additional informaton including product specifications, locating a device, sizing calculator, technical downloads and other resources.

Call: Mon.- Fri.: 8 am - 7 pm
East Coast: 1.800.767 STEAM (8326)
West Coast: 1.800.727 STEAM (8326)
Worldwide: 1.718.937.4500

6 Warranty

To view or download the SteamLinx warranty and register, go to blog.mrsteam.com/wr



Installation, Operation and Maintenance Manual

AudioSteam®

mr.steam® | Feel Good Inc.®

IMPORTANT SAFETY INFORMATION

READ ME FIRST:

1. Read and follow all instructions within this technical manual.
2. Heed all warnings, cautions, notices, and important notes.
3. Save this technical manual and leave with the homeowner.

ABOUT WARNINGS, CAUTIONS, NOTICES, AND IMPORTANT NOTES:

As you follow the instructions in this technical manual, you will see four types of callouts: **WARNINGS**, **CAUTIONS**, **NOTICES**, and **IMPORTANT NOTES**. This blocked information is important for the safe and efficient installation, maintenance, and operation of the AudioSteam. These callouts are described as follows:

⚠ WARNING Indicates a potentially hazardous situation, which, if not avoided, may result in death or serious injury.

⚠ CAUTION Indicates a potentially hazardous situation, which, if not avoided, may result in minor or moderate injury.

NOTICE Indicates a situation, which, if not avoided, may result in property damage.

IMPORTANT NOTE Indicates information that is especially relevant to a problem-free installation.

SAFETY INSTRUCTIONS:

To prevent personal injury and or product damage, please read the following important safety instructions carefully before installing the AudioSteam:

- Do not install the AudioSteam near any heat sources.
- Clearance and minimum distance between the AudioSteam and the surrounding structure are not specified as long as they are sufficient so that the ambient temperature around the apparatus does not exceed 140 °F (60 °C).
- Do not defeat the safety purpose of the polarized and/or grounding type plug. A polarized plug has two blades, with one wider than the other. A grounding type plug has two blades and a third grounding prong. The wide blade or the third prong are provided for your safety. If the provided plug does not fit into your outlet, consult an electrician for replacement of the obsolete outlet.
- Protect the power cord from being walked on or pinched, particularly at plugs, convenience receptacles, and at the point where the cord exits from the apparatus.
- Only use attachments/accessories specified by the manufacturer.
- All servicing to be performed by qualified service personnel. Servicing is required when the AudioSteam is damaged in any way, including when the power-supply cord or plug is damaged, liquid is spilled into or objects fall into the AudioSteam, AudioSteam is exposed to rain or moisture, the AudioSteam does not operate normally, or the AudioSteam dropped.
- Do not disassemble or alter the AudioSteam in any way.
- Clean the AudioSteam with a dry cloth only. Beware of the application of some products commonly used against corrosion (such as WD-40® family products), as some industrial oils can have negative chemical reactions and damage the housing materials of the AudioSteam. Any other materials that may come in contact with the AudioSteam must be carefully evaluated under end-use conditions for compatibility.


⚠ WARNING These instructions are for use by qualified service personnel only. To reduce the risk of electric shock, do not perform any servicing, other than that contained in these instructions.

NOTE: All information in this technical manual is based on the latest product information available at the time of publication. Sussman-Automatic Corporation reserves the right to make changes at any time without notice.

IMPORTANT SAFETY INFORMATION (cont.)

WARNING

Before installing or connecting the AudioSteam, please read the following:

- To prevent a shock hazard, do not disassemble or alter the AudioSteam.
- To prevent overtemperature shutoff and equipment damage, do not use foam to insulate the AudioSteam.
- To prevent a shock hazard, turn power off before servicing or changing any cable connections in the AudioSteam.
- To prevent electric shock hazard and/or water damage to the AudioSteam, all conduits must be plugged with the included foam blocks.
- To prevent a shock hazard do not install the AudioSteam in a location where it can get wet. Audiosteam must be installed in a dry, indoor location.
- AudioSteam must be disposed of separately in accordance with local waste disposal legislation. 

WARNING

- Risk of electric shock. Do not leave compartment door open.
- Risk of electric shock. Replace components only with identical components.
- Prevent electrocution. Do not connect any auxiliary components (for example cable, additional speakers, headphones, additional audio/video components, etc.) to the system.
- These units are not provided or intended to be connected to an outdoor antennae; to prevent electrocution only use the supplied antennae and install it in accordance with these instructions.
- Opening or removing covers may expose you to dangerous voltage or other risk of injury. All servicing to be performed by qualified service personnel.
- When the power supply connections or power supply cord(s) are damaged; if water is entering the audio/video compartment or any electrical equipment compartment area; if the protective shields or barriers are showing signs of deterioration; or if there are signs of other potential damage to the unit, turn off the unit and refer servicing to a qualified service personnel.
- This unit should be subjected to periodic routine maintenance (for example, once every 3 months) to make sure that the unit is operating properly.
- Product must be disposed of separately in accordance with local waste disposal legislation.

TABLE OF CONTENTS

INSTALLER INSTRUCTIONS

- 1. General information 5**
 - Box Contents..... 5
 - AudioSteam General Installation5-6
- 2. Installing AudioSteam 7**
 - AudioSteam Dimensions..... 7
 - Locating and Installing AudioSteam 7
- 3. Connecting AudioSteam 8**
 - Connecting AudioSteam..... 8
 - Removing the AudioSteam Cover 8
 - Connecting the FM Antenna and Auxiliary Cord..... 9
 - Connecting Speakers and Subwoofer..... 9
 - Connecting AudioSteam to the Steam Generator 10
 - Pairing a Bluetooth-Enabled Device 11
- 4. AudioSteam Specifications 12**
- 5. Regulatory Statements 13**

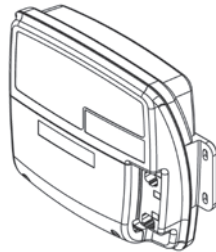
HOMEOWNER/END-USER INSTRUCTIONS

- 6. About AudioSteam 14**
- 7. Operating AudioSteam..... 14-15**
- 8. Troubleshooting 15**
- 9. AudioSteam Warranty..... 15**

INSTALLER INSTRUCTIONS

1. General Information

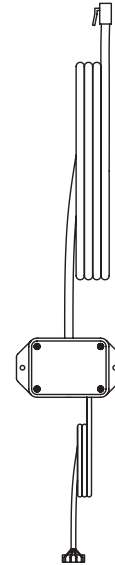
Box Contents



AudioSteam



FM antenna



Control cable

IMPORTANT NOTE: Audio@Home does not include the FM antenna or Control Cable.

AudioSteam General Installation

Figure 1 shows how the AudioSteam interconnects with the steam generator, iSteam3, and audio speakers.

Figure 2 shows how to use the AudioSteam as a standalone system within your steam room (i.e., if your steam room does not use iSteam3).

IMPORTANT NOTE: AudioSteam only integrates with iSteam3.

All drawings are for illustrative purposes only.

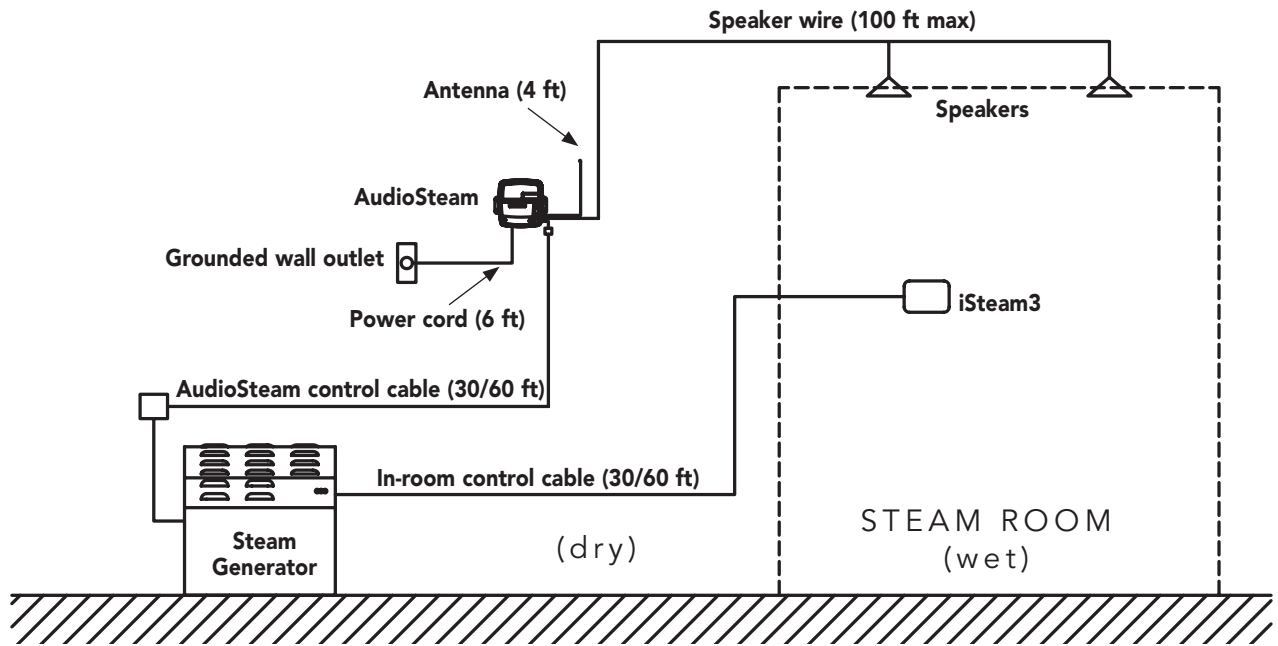


Figure 1

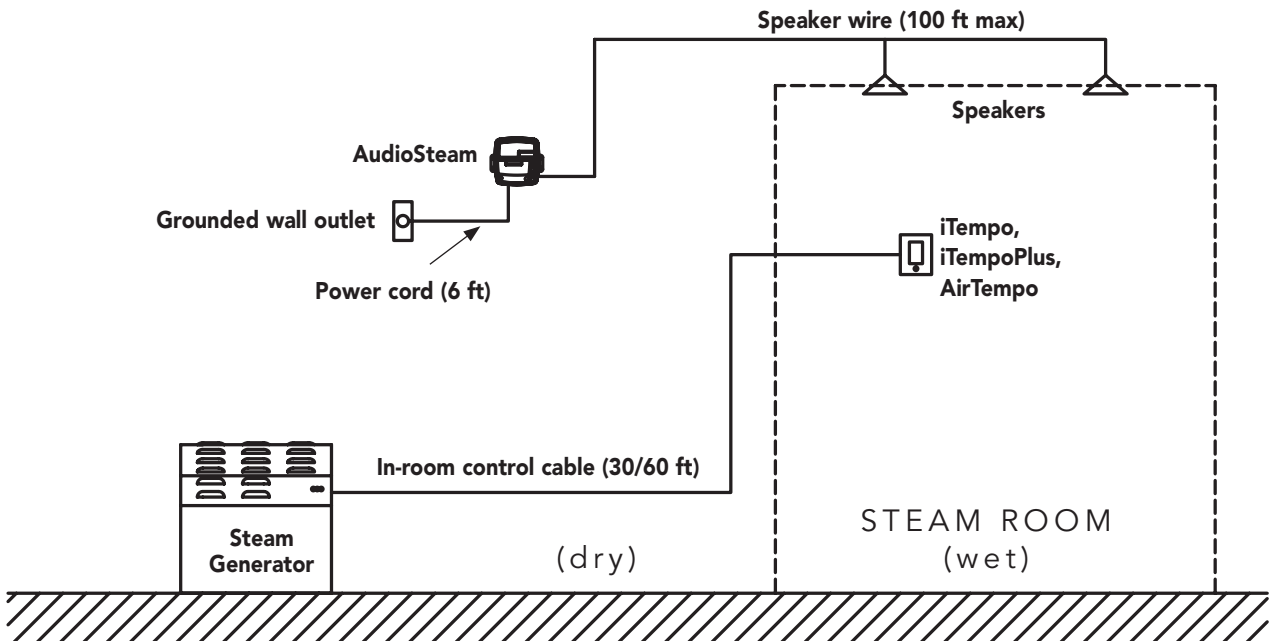


Figure 2

All drawings are for illustrative purposes only.

2. Installing AudioSteam

AudioSteam Dimensions

Figure 3 shows the face-on dimensions of AudioSteam.

Figure 4 shows the side-view dimensions of AudioSteam.

⚠ WARNING **Shock hazard.** Do not place the control box in a location where it can get wet.

Locating and Installing AudioSteam

To prevent water from getting inside the device, AudioSteam should be mounted on two stable vertical surfaces (e.g., studs) as shown in Figure 5.

Using screws and washers, firmly attach AudioSteam using the upper mounting holes, one at a time, on each side of the unit. Repeat the process for the lower mounting holes (Figure 5).

NOTICE A clearance of at least 0.75" (19 mm) is required to ensure free heat circulation at the back of the unit.

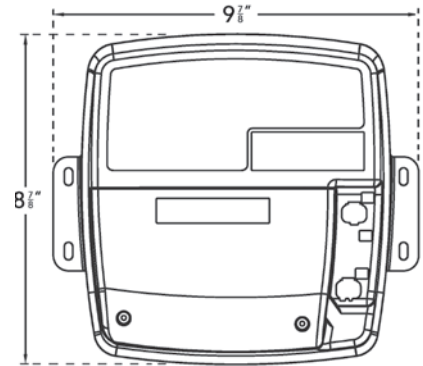


Figure 3



Figure 4

IMPORTANT NOTES

1. The following materials (not included) are recommended to install AudioSteam:
 - Four #10 screws of appropriate length with round, truss, or pan head.
 - Four washers with 0.5" outer diameter x 0.0625" thickness (12 mm outer diameter x 1.5 mm thickness).
2. To prevent overtemperature shutoff and equipment damage, do not use foil insulation in front of AudioSteam.
3. Place AudioSteam far from any electrical noise source, such as variable speed controls and motors, to prevent interference that will affect audio quality.
4. In the event of an overtemperature condition, AudioSteam automatically reduces the volume to protect the amplifier from damage.
5. To prevent overtemperature shutoff, do not locate in an attic or other location where ambient temperature may reach 140 °F (60 °C).

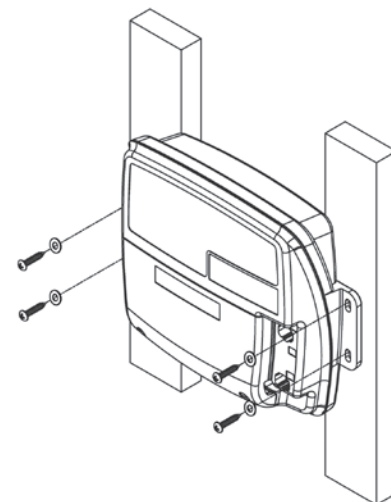


Figure 5

All drawings are for illustrative purposes only.

3. Connecting AudioSteam

Connecting AudioSteam

To connect AudioSteam to the steam generator, perform one or more of the following connections:

- Connect the FM antenna (included) and auxiliary cord to AudioSteam.
- Connect speakers and subwoofer to AudioSteam with speaker wire.
- Connect AudioSteam to the steam generator's motherboard or daughterboard with the AudioSteam control cord.
- Pair a Bluetooth-enabled device to AudioSteam.

⚠ WARNING

- To reduce the risk of electric shock, do not remove the screws on the back of AudioSteam. No user-serviceable parts inside. Refer servicing to qualified service personnel.
- To prevent electric shock, do not connect AudioSteam to main power supply while the cover is removed.
- AudioSteam does not come with speakers and speaker wiring. The connection between AudioSteam and the speakers must be "Class 2 Wiring" and installed by qualified personnel.

Removing the AudioSteam Cover

To remove the AudioSteam cover:

1. Using a Phillips-head screwdriver, remove the two cover screws from the front of the AudioSteam (**Figure 6**), and remove the cover from the unit.
2. Connect the outputs of AudioSteam as shown in **Figure 7**.
3. Remove the two foam block inserts from the inner wiring channels and set aside (**Figure 8**).

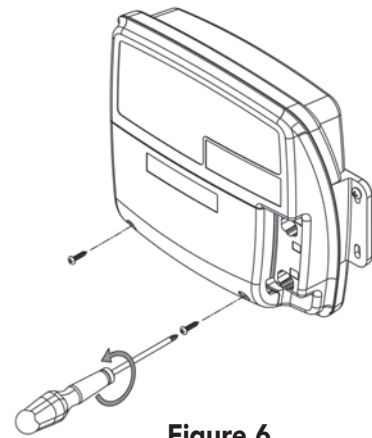


Figure 6

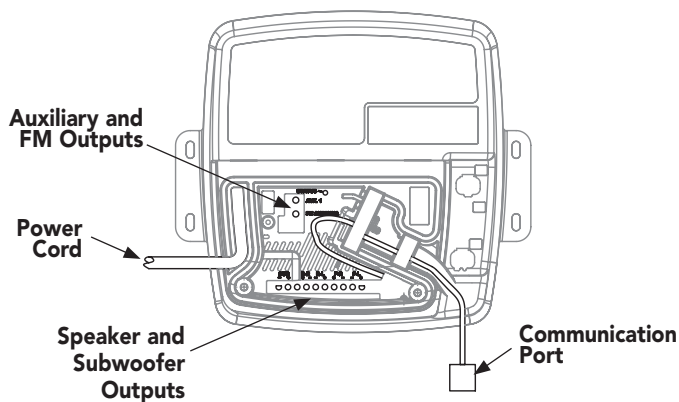


Figure 7

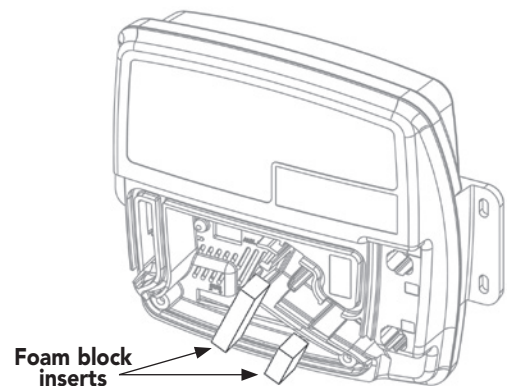


Figure 8

All drawings are for illustrative purposes only.

Connecting the FM Antenna and Auxiliary Cord

1. Plug the included FM antenna into the antenna output and route the wire through the strain relief channel as illustrated (Figure 9). For best reception, fully deploy the antenna in a vertical orientation outside of the AudioSteam housing.
2. Connect a 1/8" (3.5 mm) stereo audio cord (not included) to the auxiliary output, and route the cable through the strain relief channel as illustrated (Figure 9). Connect the free end of the audio cord to a mobile device or digital music player.

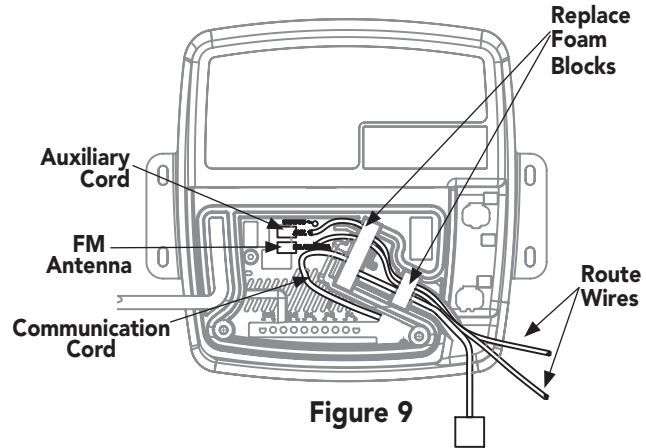


Figure 9

Connecting Speakers and Subwoofer

1. Connect individual speaker wires — or a 10-pin MATE-N-LOK adapter with attached wires — to the speaker outputs. Refer to Figure 10 and Figure 11 for connector identification.

IMPORTANT NOTES

- If you use individual speaker wires, the recommended socket crimping contact is an AWG 14-20 (TE Connectivity part number 350550-3).
- If you use a 10-pin MATE-N-LOK adapter with attached wires, the required housing connector is a 10-position Universal MATE-N-LOK (TE Connectivity part number 926302-3).

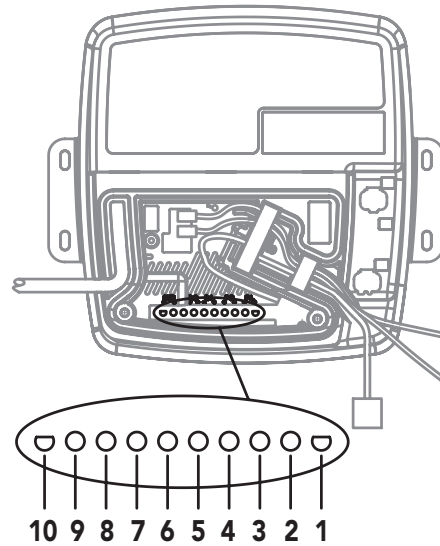


Figure 10

2. Route the wires through the molded relief channel. Connect the speaker wires to suitable speakers and subwoofer.

IMPORTANT NOTE: To avoid interference do not run speaker wires in the same conduit as or adjacent to power wiring.

Wire Size	Maximum Length
22 AWG	11 feet
20 AWG	19 feet
18 AWG	31 feet
16 AWG	48 feet
14 AWG	80 feet
12 AWG	119 feet
10 AWG	196 feet

CONNECTION	IDENTIFICATION	COLOR
1	Front Left speaker (+)	White
2	Front Left speaker (-)	White/Black
3	Front Right speaker (-)	Grey/Black
4	Front Right speaker (+)	Grey
5	Rear Left speaker (+)	Green
6	Rear Left speaker (-)	Green/Black
7	Rear Right speaker (-)	Purple/Black
8	Rear Right speaker (+)	Purple
9	Subwoofer (+)	Blue
10	Subwoofer (-)	Blue/Black

3. Replace the foam block inserts (Figure 9).
4. Secure the cover using the two cover screws.

AudioHome only uses positions 1, 2, 3 & 4

Figure 11

All drawings are for illustrative purposes only.

Connecting AudioSteam to the Steam Generator

To operate the AudioSteam via iSteam3, you must connect the AudioSteam (**Figure 12**) to an internal connector in the steam generator.

⚠ WARNING

Shock hazard. Power must be disconnected at the main electrical supply before removing the steam generator cover. For information about the steam generator, refer to the installation, operation, and maintenance manual supplied with the steam generator (also found at www.mrsteam.com/technical).

1. Remove the steam generator cover, and remove knockout on steam generator.
2. Plug the control cable into the AudioSteam as shown.
3. Connect the control cable directly to the steam generator's circuit board (**A** in **Figure 13**), **OR** if an additional accessory is installed in the steam generator, connect the control cable to the supplied daughterboard (**B** in **Figure 13**).
4. Plug the AudioSteam power cord into a 120V grounded electrical outlet.
5. After the AudioSteam has been powered, supply power to the steam generator.

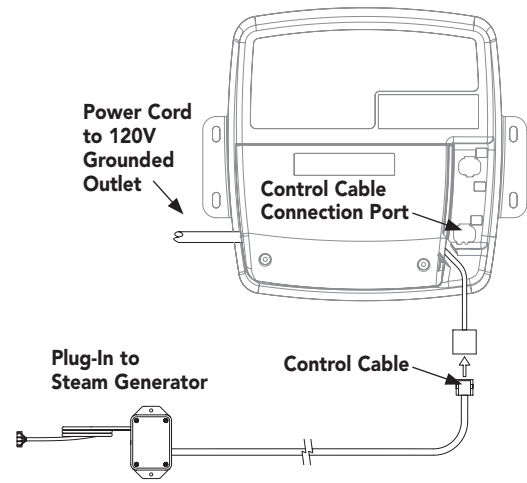


Figure 12

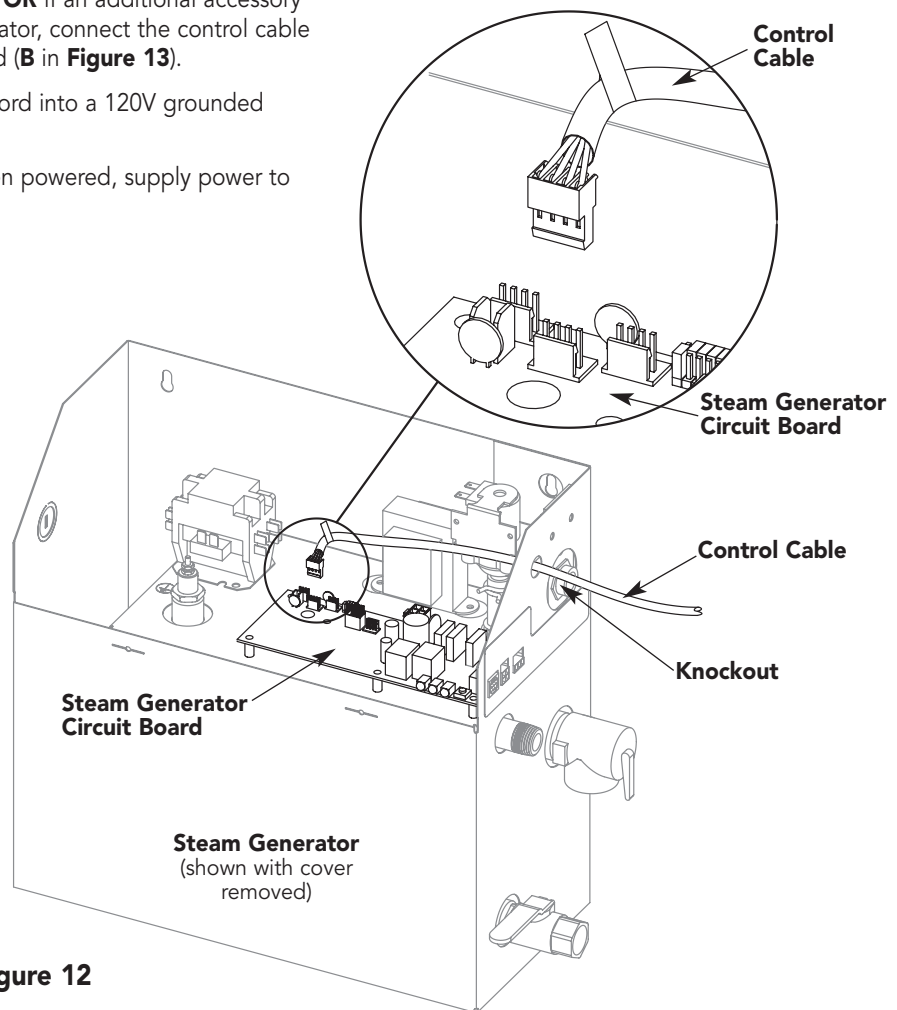


Figure 12

All drawings are for illustrative purposes only.

Pairing a Bluetooth-Enabled Device

Before playing a Bluetooth-enabled device via iSteam3 (see “Operating AudioSteam” on Page 17), you must pair your device to AudioSteam.

To pair a Bluetooth-enabled device to AudioSteam:

1. Ensure that the mobile device is in range of AudioSteam, and that it is powered on and Bluetooth is turned on.
2. Open the Bluetooth settings on your device.
3. Select **AudioSteam** in the list of discoverable Bluetooth devices.
4. When prompted, enter the following passcode: **5555**.
5. Once the pairing is complete, select **AudioSteam** on your mobile device to connect to AudioSteam.

IMPORTANT NOTES

- If the device moves out of range and loses connection, it should reconnect automatically with AudioSteam (without having to go through the pairing process again) when moved within range.
- AudioSteam will store up to eight devices in its memory. If one of the last three paired devices is in range and has Bluetooth turned on, it will automatically connect to AudioSteam.
- If multiple devices are within range and have already been paired with AudioSteam, priority will be given to the device that was first detected in the AudioSteam memory.

4. AudioSteam Specifications

ENVIRONMENTAL RATINGS

Operating temperature:	-4 °F (-20 °C) to 140 °F (60 °C)
Storage temperature:	-22 °F (-30 °C) to 185 °F (85 °C)
Humidity:	70% max
Water resistance:	IPX5

MECHANICAL

Weight:	3.6 lb (1.64 Kg)
Dimensions (W x H x D):	9.81" x 2.58" x 8.88" (249 mm x 65 mm x 226 mm)

LINE INPUT

Input voltage:	100-240VAC 50/60Hz
----------------	--------------------

AUDIO OUTPUTS

Maximum number of speakers:	4
Maximum number of subwoofer:	1
Audio amplifier type:	Class D
Output power (speaker output):	25 W _{RMS} , 50 W peak
Output power (subwoofer):	50 W _{RMS} , 100 W peak
Output impedance (speaker):	4-8 Ohms
Output impedance (subwoofer):	2-4 Ohms
Harmonic distortion (speaker):	0.015% at 1 W (1 KHz)
Harmonic distortion (subwoofer):	0.015% at 1 W (100 Hz)
Frequency response (speaker):	5 Hz to 20 KHz F
Frequency response(subwoofer):	10 Hz to 200 Hz

AUXILIARY INPUTS

Maximum number of inputs:	1
Connection type:	1/8" (3.5 mm) stereo jack
Maximum voltage:	2.2 V _{pp}
Impedance:	100 Kohms

FM RECEIVER

Frequency band:	87.5 MHz to 107.9 MHz
RF sensitivity:	2.2 μV
Harmonic distortion:	0.1% @ 1 KHz
Frequency response:	30Hz @ 15 KHz
FM decoder:	Stereo Multiplex
Antenna type:	1 m (39") cable
Antenna connector:	1/8" (3.5 mm) stereo jack

BLUETOOTH RECEIVER

Frequency band:	2400 MHz to 2483.5 MHz
Transmit power:	Class 2, 4 dBm
Bluetooth version:	Bluetooth v4.1
Antenna type:	Modular integrated
Profiles supported:	A2DP, AVRCP

APPLICABLE STANDARDS

UL 60065
CAN/CSA-C22.2 No. 60065-03
EN 60065
AS/NZS 60065

AudioSteam is compliant with the Radio Equipment Directive (RED)



Enclosure/Box: CSA Type 2



Enclosure/Box: IPX5



5. Regulatory Statements

FCC Compliance Statement

Contains Transmitter Module FCC ID: A8TBM23SPKXYC2A

This device complies with Part 15 of the FCC Rules. Operation is subject to the following two conditions: (1) this device may not cause harmful interference, and (2) this device must accept any interference received, including interference that may cause undesired operation.

Note:

This equipment has been tested and found to comply with the limits for a Class B digital device, pursuant to part 15 of the FCC Rules. These limits are designed to provide reasonable protection against harmful interference in a residential installation. This equipment generates, uses and can radiate radio frequency energy, and if not installed and used in accordance with the instructions, may cause harmful interference to radio communications. However, there is no guarantee that interference will not occur in a particular installation. If this equipment does cause harmful interference to radio or television reception, which can be determined by turning the equipment off and on, the user is encouraged to try to correct the interference by one or more of the following measures:

- Reorient or relocate the receiving antenna.
- Increase the separation between the equipment and receiver.
- Connect the equipment into an outlet on a circuit different from that to which the receiver is connected.
- Consult the dealer or an experienced radio/TV technician for help.

Caution: To assure continued compliance, any changes or modifications not expressly approved by the party responsible for compliance could void the user's authority to operate this equipment.

FCC RF Exposure Statement

The device has been evaluated to meet general RF exposure requirement. The device can be used in portable exposure condition without restriction.

IC Compliance Statement

Contains transmitter module IC: 12246A-BM23SPKXYC2

This device complies with Industry Canada licence-exempt RSS standard(s). Operation is subject to the following two conditions: (1) this device may not cause interference, and (2) this device must accept any interference, including interference that may cause undesired operation of the device.

Caution: To assure continued compliance, any changes or modifications not expressly approved by the party responsible for compliance could void the user's authority to operate this equipment.

RSS-102 RF Exposure Statement

This equipment complies with Industry Canada radiation exposure limits set forth for an uncontrolled environment.

HOMEOWNER/END-USER INSTRUCTIONS

6. About AudioSteam

AudioSteam offers you the perfect means to bring music into your steam room. AudioSteam is compatible with numerous audio sources:

- Connect to a mobile device or digital music player using the auxiliary audio input.
- Connect to a mobile device via Bluetooth.
- Tune in to an FM station using the AudioSteam's integrated FM receiver.

AudioSteam can connect to four speakers and one subwoofer.

AudioSteam lets you control music from the iSteam3 interface, or may be used as a standalone device.

IMPORTANT NOTES

- If a Bluetooth-connected device moves out of range and loses connection with AudioSteam, it should reconnect automatically with AudioSteam (without having to go through the pairing process again) when moved within range.
- AudioSteam will store up to eight devices in its memory. If one of the last three paired devices is in range and has Bluetooth turned on, it will automatically connect to AudioSteam.
- If multiple devices are within range and have already been paired with AudioSteam, priority will be given to the device that was first detected in the AudioSteam memory.

7. Operating AudioSteam

Using iSteam3, you can control your AudioSteam-connected mobile device or music player from within your steam room. Control your digital music player (e.g., Apple iPod), mobile device, or FM stations, all from the simple AudioSteam interface.

NOTICE

AudioSteam only interfaces with iSteam3.

IMPORTANT NOTES

- For complete instructions on operating the iSteam3, refer to the iSteam technical manual (see www.MrSteam.com).
- To control a Bluetooth-enabled device from iSteam3, you must first pair the device to the AudioSteam. See "Pairing a Bluetooth-enabled device" on page 12 for instructions.

To Operate AudioSteam using iSteam3:

1. Boot iSteam3 and wait for the iSteam3 home screen to appear.
2. To turn on AudioSteam (**Figure 14**), tap the **MUSIC** icon (**A**), and then tap the **MUSIC** button (**B**).
3. Tap the **SETTINGS** icon (**A** in **Figure 15**).
4. A list of available playback devices will appear (**Figure 16**). Tap the desired device (**A**), and then tap the **PLAY** icon (**B**). To disconnect an active Bluetooth device, tap the **DISCONNECT** button (**C**).
5. To control FM radio (**Figure 17**):
 - a. Slide the **VOLUME CONTROL** left or right to control volume (**A**).
 - b. Tap the **MUTE** button to mute all sound (**B**).
 - c. Tap the **FORWARD** and **BACK** buttons (**C** and **D**) to scan FM stations.

7. Operating AudioSteam (cont.)

6. To control an auxiliary-connected or Bluetooth-connected device (**Figure 18**):
 - a. Slide the **VOLUME CONTROL** left or right to control volume (**A**).
 - b. Tap the **MUTE** button to mute all sound (**B**).
 - c. Tap the **FORWARD** and **BACK** buttons (**C** and **E**) to select a track in the device's playlist.
 - d. Tap the **PLAY** button (**D**) to play or pause the track.
7. To turn off AudioSteam (**Figure 19**), tap the **POWER** icon (**A**), and then tap the **MUSIC** button (**B**).



Figure 14

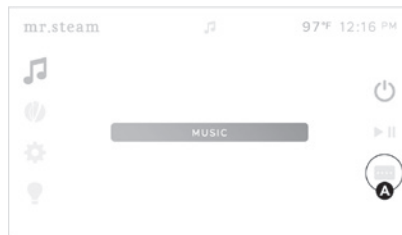


Figure 15



Figure 16

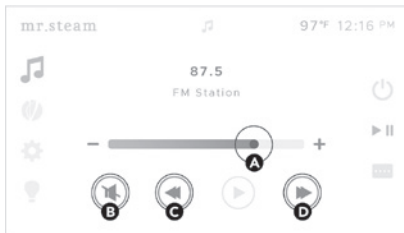


Figure 17

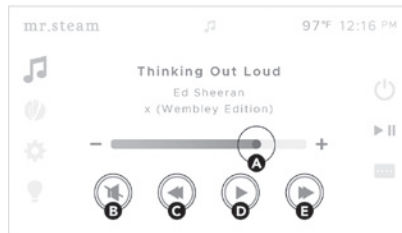


Figure 18

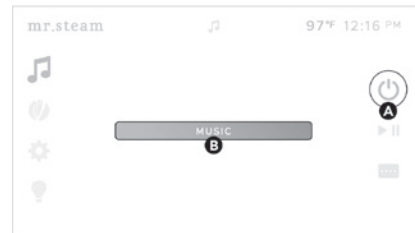


Figure 19

8. Troubleshooting

1. No Music Icon on iSteam3
 - a. Disconnect power to the AudioSteam and the Steam generator.
 - b. Ensure the communication cables are plugged in correctly (See page 10)
 - c. Power up the AudioSteam
 - d. Power up the steam generator

9. AudioSteam Warranty

To view or download the **MrSteam® Accessory Warranty** and register your product, go to: blog.mrsteam.com/wr

All drawings are for illustrative purposes only.

mr.steam®

Feel Good Inc.®

www.mrsteam.com

Products, information and specifications are subject to change without notice.

Call Sales & Support at 1 800 76 STEAM (East Coast) or 1 800 72 STEAM (West Coast) for more information.

mr.steam Sussman-Automatic Corporation® • www.mrsteam.com • hello@mrsteam.com

43-20 34th Street, Long Island City NY 11101 1 800 76 STEAM • 9410 S. La Cienega Blvd., Inglewood CA 90301 1 800 72 STEAM

Copyright © 2017 Sussman-Automatic Corporation | MrSteam and des., A Lifetime of Pleasure, AirTempo, AromaFlo, AudioSteam, AudioWizard, AutoFlush, AutoSteam, Butler Package, ChromaSteam, Clean Steam...Every Time, Club Therapy, Digital 1, Express Steam, Feel Good Inc., From Bathroom to Spa, HomeWizard, iButler, iGenie, iSizing, iSteam, iTempo, iTempo/Plus, Making Wellness a Way of Life, MusicTherapy, SmartSizing, Spa Package, Steam Genie, Steam on Demand, Steam@Home, SteamStart, SteamStop, SteamTherapy, Sussman, Tala, The Intelligent Steambath, Valet Package, and Virtual Spa System are registered trademarks of Sussman-Automatic Corporation. PUR 100533 REV 5.19

PACKAGE CONTENTS:

- 2 Speakers
- 1 Installation Instructions
- 2 Templates

SPEAKER RATINGS:

60 watt peak / 30 watt RMS / 8 ohm impedance

1. Cut a 5 ¹³/₁₆" x 5 ¹³/₁₆" hole to mount each speaker.

! CAUTION All audio wiring shall be installed in accordance with National Electric Code and local electrical codes.

2. Connect the speaker wires from the stereo to the terminals of the speaker. The "+" terminal is identified by a "+" symbol and is larger than the "-".
3. Test speakers before securing to wall.
4. Remove the front grill of the speaker by gently rotating out any two opposite brackets by hand as shown in the installed view and pressing them down to pop the grill off. Return the brackets to the original position before installing speaker.

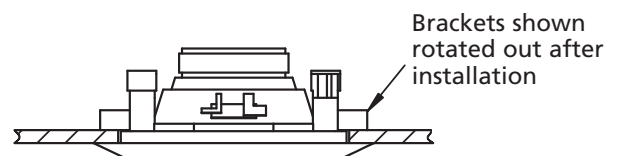
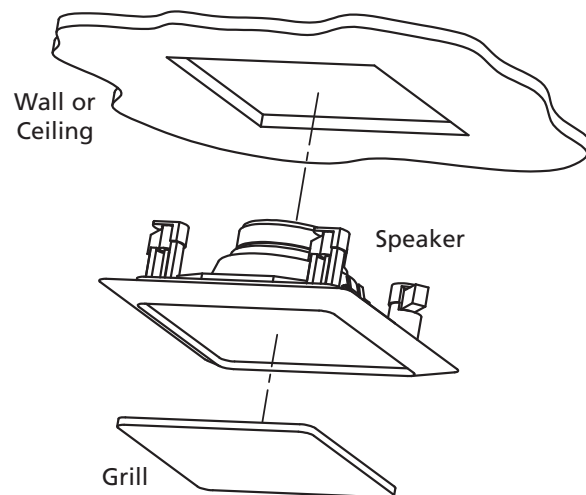
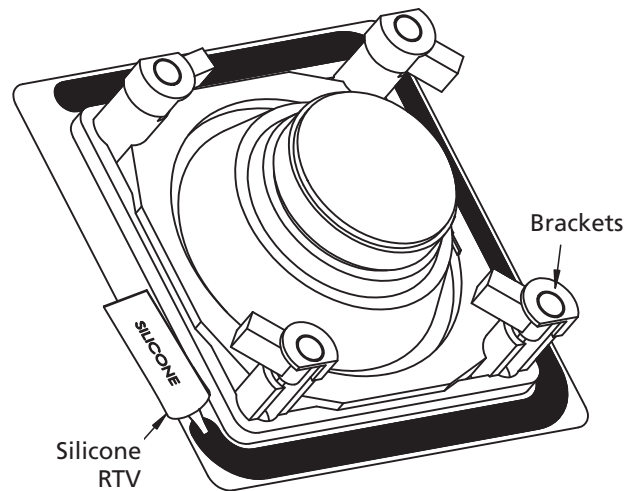
! CAUTION Failure to engage mounting brackets correctly or improper installation may result in a falling object hazard.

5. Apply a bead of silicone RTV (not supplied) around the edge of the speakers as shown in the diagram as required to obtain a watertight seal.
6. Fit the speaker into the speaker-mounting hole.
7. Secure the speaker in place using the integral mounting brackets. The mounting brackets will rotate out and tighten when the 4 large screws are turned clockwise.

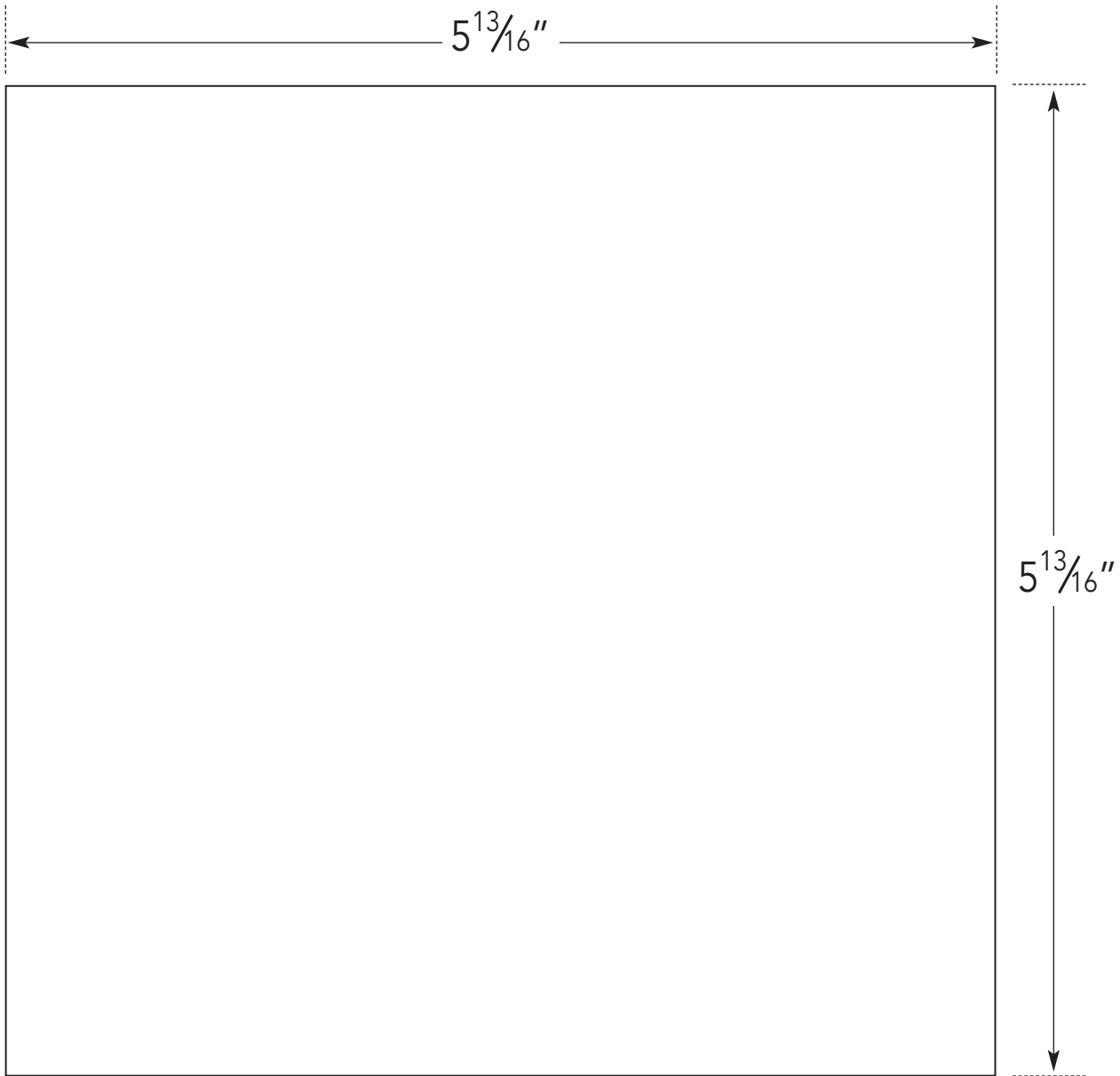
NOTE: DO NOT OVER TIGHTEN SCREWS.

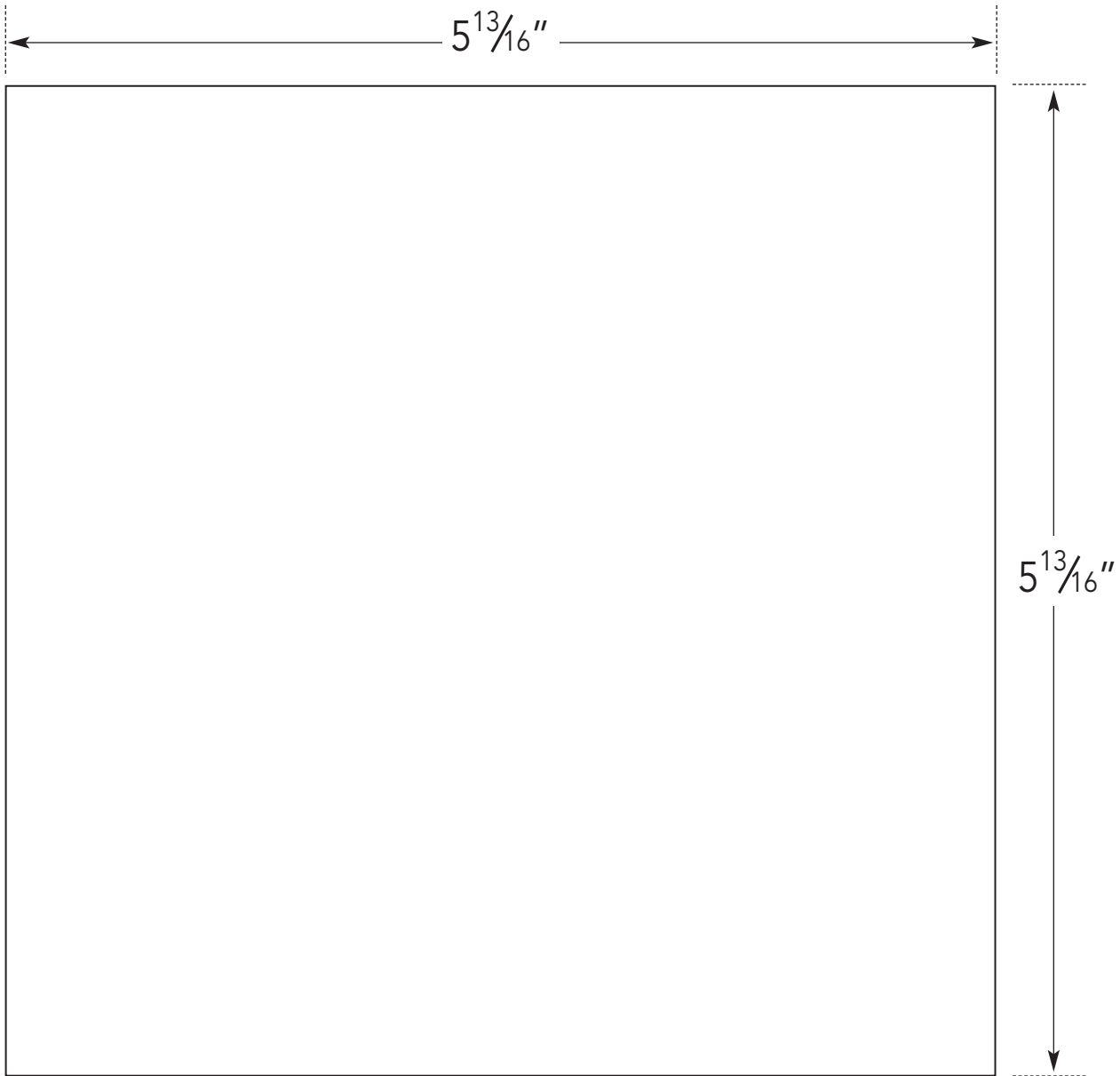
8. Gently tug on speakers to ensure they are secure in the wall/ceiling.
9. Carefully replace the speaker grills by pressing them in place.
10. Let the silicone cure per manufacture's instructions before using steam room.

IMPORTANT: Do not place speakers in contact with direct water or steam emission. Speakers may be installed in either walls or ceilings.



WARRANTY: To view or download the MrSteam Controls & Accessories Warranty and register your product go to: blog.mrsteam.com/wr





IMPORTANT: LEAVE THIS MANUAL WITH
THE OWNER/OPERATOR OR ATTENDANT



Installation, Operation, and Maintenance Manual

ChromaSteam[®]3

mr.steam[®] | Feel Good Inc.[®]

IMPORTANT SAFETY INFORMATION

READ ME FIRST:

1. Read and follow all instructions within this technical manual.
2. Heed all warnings, cautions, notices, and important notes.
3. Save this technical manual and leave with the homeowner.

ABOUT WARNINGS, CAUTIONS, NOTICES, AND IMPORTANT NOTES:

As you follow the instructions in this technical manual, you will see four types of callouts: **WARNINGS**, **CAUTIONS**, **NOTICES**, and **IMPORTANT NOTES**. This blocked information is important for the safe and efficient installation, operation, and maintenance of the ChromaSteam3. These callouts are described as follows:



Indicates a potentially hazardous situation, which, if not avoided, may result in death or serious injury.

NOTICE

Indicates a situation, which, if not avoided, may result in property damage.



Indicates a potentially hazardous situation, which, if not avoided, may result in minor or moderate injury.

IMPORTANT NOTE Indicates information that is especially relevant to a problem-free installation.

SAFETY INSTRUCTIONS:

To prevent personal injury and/or product damage, please read the following important safety instructions carefully before installing the ChromaSteam3:

- Do not install the ChromaSteam3 controller near any heat sources.
- Clearance and minimum distance between the various components of the ChromaSteam3 and the surrounding structure are not specified as long as they are sufficient so that the ambient temperature around the apparatus does not exceed 140 °F (60 °C).
- Do not defeat the safety purpose of the polarized and/or grounding type plug. A polarized plug has two blades, with one wider than the other. A grounding type plug has two blades and a third grounding prong. The wide blade or the third prong are provided for your safety. If the provided plug does not fit into your outlet, consult an electrician for replacement of the obsolete outlet.
- Protect the power cords from being walked on or pinched, particularly at plugs, convenience receptacles, and at the point where the cords exit from the apparatus.
- Only use attachments/accessories specified by the manufacturer.
- All servicing to be performed by qualified service personnel. Servicing is required when the ChromaSteam3 is damaged in any way, including when the power-supply cord or plug is damaged, liquid is spilled into or objects fall into the controller, the controller is exposed to rain or moisture, the fixture or controller does not operate normally, or the fixture or controller is dropped.
- Do not disassemble or alter the ChromaSteam3 fixture or controller in any way.
- Clean the ChromaSteam3 fixture and controller with a dry cloth only. Beware of the application of some products commonly used against corrosion (such as WD-40® family products), as some industrial oils can have negative chemical reactions and damage the housing materials of the ChromaSteam3 fixture and controller. Any other materials that may come in contact with the ChromaSteam3 must be carefully evaluated under end-use conditions for compatibility.



These instructions are for use by qualified service personnel only. To reduce the risk of electric shock, do not perform any servicing, other than that contained in these instructions.

NOTE: All information in this technical manual is based on the latest product information available at the time of publication. Sussman-Automatic Corporation reserves the right to make changes at any time without notice.

TABLE OF CONTENTS

INSTALLER INSTRUCTIONS

General Information

Box Contents 4
 Color Matching the Connections 4

General Installation 5

Installing the ChromaSteam3 Control Box 6

Control Box Dimensions 6
 Locating the Control Box..... 6
 Installing the Control Box..... 6

Installing the ChromaSteam3 Fixture 7

Fixture Dimensions 7
 Installing the Junction Box 8-9
 Installing the Fixture 10

Connecting the ChromaSteam3 Fixture to the Control Box 11

Connecting the ChromaSteam3 Control Box to the Generator..... 12

Connecting Multiple Accessories to the Generator 12

ChromaSteam3 Specifications 13

HOMEOWNER/END-USER INSTRUCTIONS

About ChromaSteam3 and Warranty..... 14

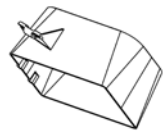
Operating ChromaSteam3 15



INSTALLER INSTRUCTIONS

General Information

ChromaSteam3 Box Contents:



Junction Box



ChromaSteam3
Fixture



30-foot
Cable

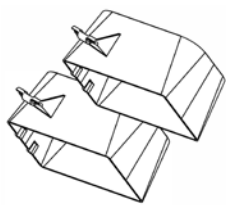


Control Box

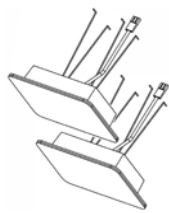


Tube of
Silicone

ChromaSteam3 Duo Box Contents:



(2) Junction Boxes



(2) ChromaSteam3
Fixtures



30-foot
Cable



Duo
Cable



Control Box



(2) Tubes
Silicone

About color-matching the connections between cables and accessories

In order to help ensure that MrSteam cables and accessories are connected correctly, all cable ends have been color-coded with flags (**Figure 1**), and all accessory connectors/ports have been color-coded with adhesive dots (**Figure 2**).

When connecting cables and accessory connectors, ensure that their respective flags and/or adhesive dots match in color.

Figure 3 shows the colors (purple, white, blue, red, and yellow) used between each ChromaSteam3 connection.

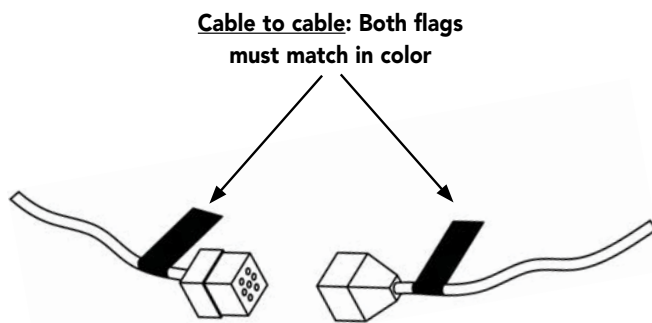


Figure 1

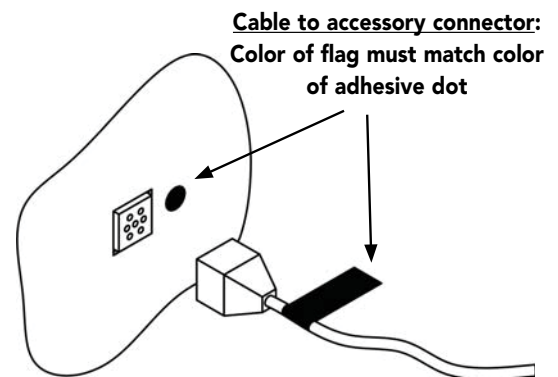


Figure 2

All drawings are for illustrative purposes only.

General Installation

Figure 3 shows how the ChromaSteam3 fixture and control box interconnect with each other, and with the steam generator and iSteam3.

IMPORTANT NOTES

- The included ChromaSteam3 control cable is 30 feet long. Ensure that the ChromaSteam3 fixture and control box are located accordingly. Contact MrSteam to purchase an optional 60-foot cable (PN 104268-60).
- ChromaSteam3 Duo cable has (2) 5 feet long extensions, it enables (2) ChromaSteam3 fixtures to be located at a maximum of 10 feet apart.
- The cord between the control box and steam generator is 5 feet long.
- ChromaSteam3 only works with iSteam3.

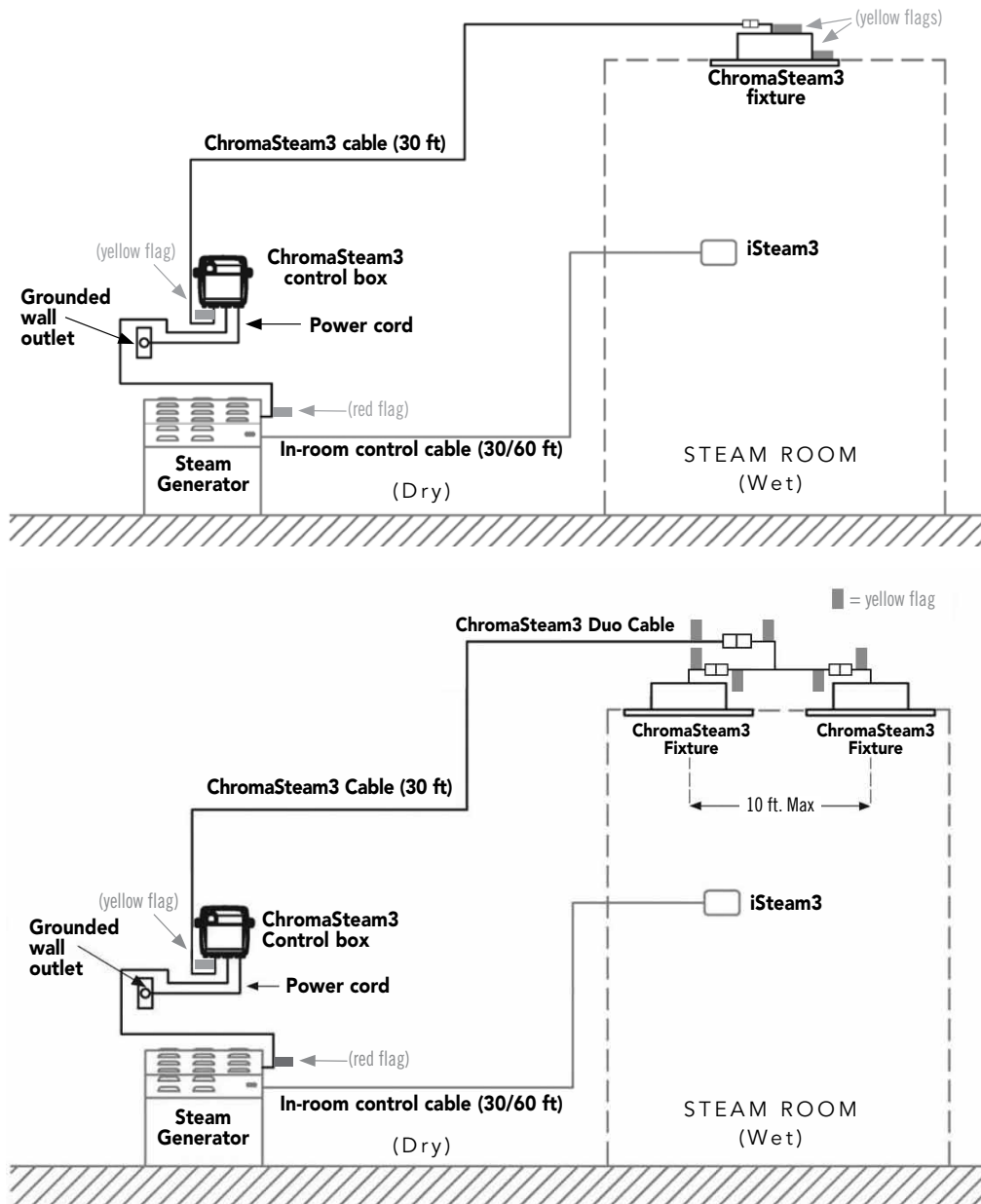
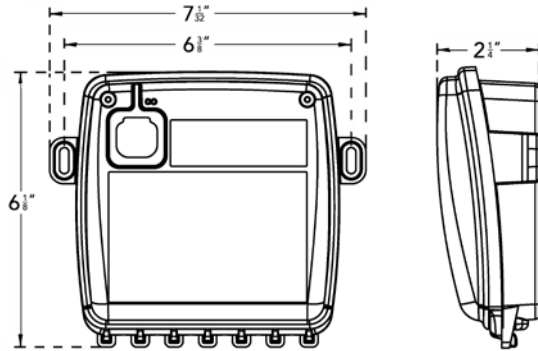


Figure 3

All drawings are for illustrative purposes only.

Installing the ChromaSteam3 Control Box

Control Box Dimensions



NOTICE

- To prevent product or property damage, do not expose control box to temperatures above 140 °F (60 °C). Do not locate control box in an attic or any location where ambient temperatures may exceed 140 °F (60 °C).
- Do not locate control box next to heat sources, such as hot air registers, air conditioner condensers, etc.
- The control box powers the ChromaSteam3 fixture with 5VDC 1.6A maximum.

Locating the Control Box

Determine the desired location of the ChromaSteam3 control box outside the steam room in a dry location.

⚠ WARNING **Shock hazard.** Do not place the control box in a location where it can get wet.

IMPORTANT NOTE: The ChromaSteam3 control cable is 30 feet long. Ensure that the ChromaSteam3 fixture and control box are located accordingly. Contact MrSteam to purchase an optional 60-foot cable (PN104268-60).

Installing the Control Box

Using screws and washers, affix the control box to a stable vertical surface (e.g., stud) using the mounting holes on either side of the control box (**Figure 4**).

NOTICE

- The control box must be mounted in a vertical position as shown in **Figure 4** to allow proper heat dissipation. Failure to mount as shown may cause thermal protection shut off.
- To prevent product or property damage, do not expose control box to temperatures above 140 °F (60 °C). Do not locate control box in an attic or any location where ambient temperatures may exceed 140 °F (60 °C).
- In the event the control box requires servicing, ensure that it is installed in an accessible location.

IMPORTANT NOTE: The following materials (not included) are recommended to install the ChromaSteam3 control box:

- Two #10 screws of appropriate length with round, truss, or pan head.
- Two washers with 0.5" outer diameter x 0.0625" thickness (12 mm outer diameter x 1.5 mm thickness).

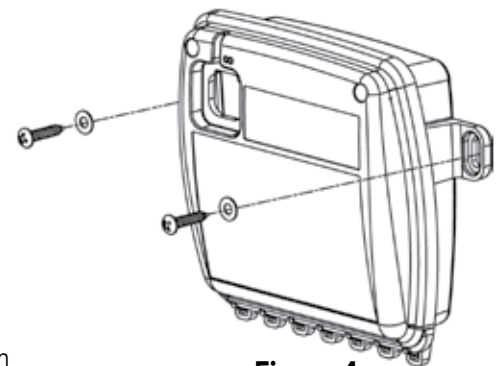


Figure 4

All drawings are for illustrative purposes only.

Installing the ChromaSteam3 Fixture

Fixture Dimensions

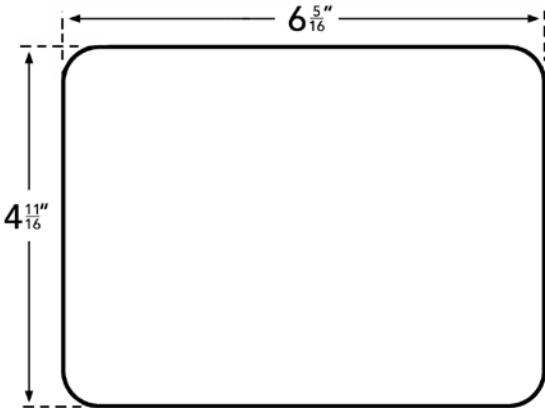


Figure 5

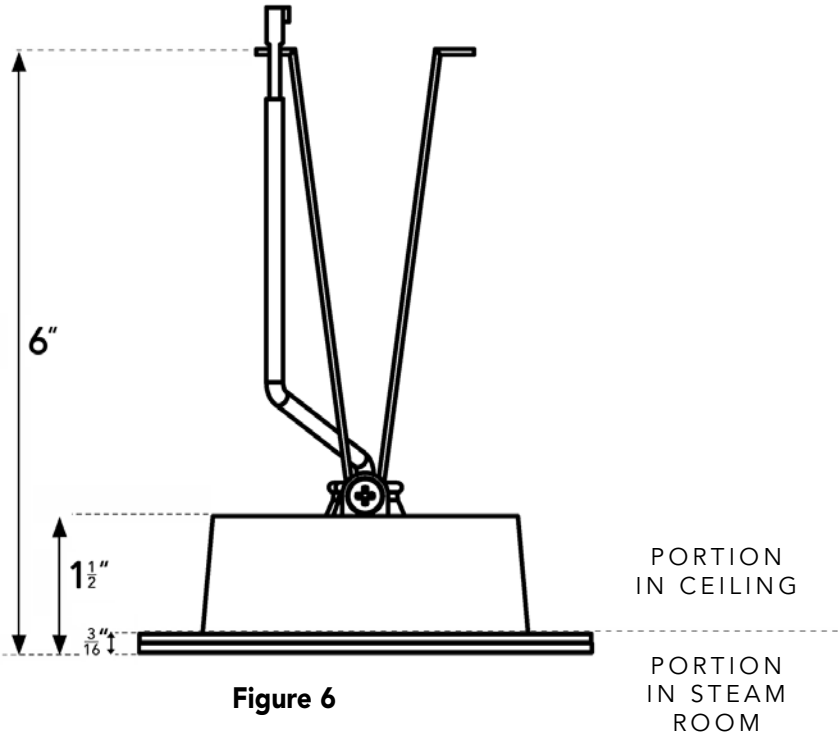


Figure 6

All drawings are for illustrative purposes only.

Installing the Junction Box

Functions of the Junction Box:

1. Allows precisely location of the ChromaSteam3 fixture within the steam room ceiling.
2. Provides a secure and easily identifiable holder for the control cable while the steam room is being constructed.
3. Works with the ChromaSteam3 fixture's retention springs to prevent the fixture from falling and injuring a person in the enclosure.

Locating the Fixture:

1. Locate the fixture in a location for optimal lighting within the enclosure.
2. ChromaSteam3 is for mood lighting only. Not to be used as a primary lighting source.
3. Do not locate the fixture in direct shower spray, near direct steam emission, or in any location where a lighting fixture may be damaged.

IMPORTANT NOTE: Maximum distance between the two fixtures is 10 feet.

To Install the Junction Box:

1. Remove the two screws from the interior clips of the junction box, and hand-screw them into the wings of the junction box (**Figure 7**).
2. Remove one of the four knockouts from the junction box (**Figure 7**). the resulting hole will allow routing of the 30-foot control cable or Duo cable into the junction box..
3. Locate the two tabs on the junction box, and line them up against a ceiling joist. The tabs locate the junction box proud of (slightly raised from) the joist. Screw the two screws into the ceiling joist to secure the junction box (**Figure 8**).
4. Route one end of the 30-foot control cable or one of the longer ends of the Duo cable (with a yellow flag stating "To Fixture") through the knockout into the junction box, and fasten it to one of the interior clips to hold it in place (**Figure 9**). Note that both longer ends of the 30-foot control cable are the same.

IMPORTANT NOTE: Contact MrSteam to purchase an optional 60-foot cable (Part No. 104268-60).

NOTICE

- Be careful not to strain, staple, pinch, or otherwise damage the cable.
 - Route cable as required to permit replacement.
 - Cable should be run in dedicated conduit to facilitate installation, service, and replacement.
 - To prevent damage to the cable, do not route cable close to hot water, steam piping, or any heat source.
5. After the junction box is completely installed, ensure that you create an opening in the steam room ceiling that aligns with the junction box (**Figure 10**).

WARNING

- Installation to be performed by a qualified and licensed electrician.
- **Shock Hazard.** Ensure that power is turned off during installation. Turn off power at breaker panel.

CAUTION

Failure to use the junction box with correctly installed retention springs may result in the ChromaSteam3 fixture falling and causing injury.

NOTICE

- To prevent leaks, do not install the ChromaSteam3 fixture where direct contact with steam emission or water spray could occur.
- The ChromaSteam3 fixture is not intended to be installed underwater. To prevent leaks, do not install the ChromaSteam3 fixture in a location where it could become submerged.
- The ChromaSteam3 fixture is not rated for insulation contact. Insulation must be a minimum of 3" away from all sides of the ChromaSteam3 fixture assembly to prevent damage to the fixture.

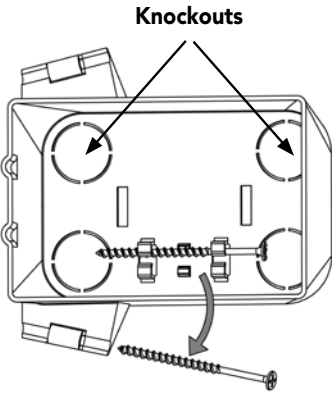


Figure 7

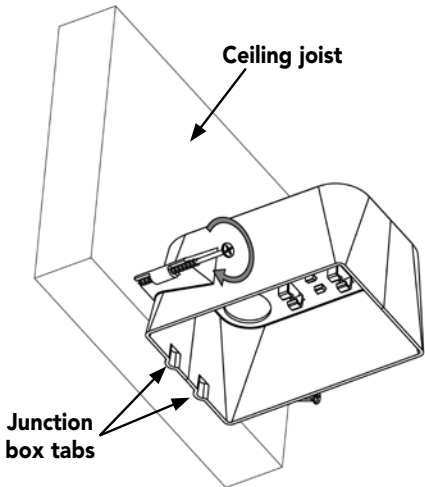
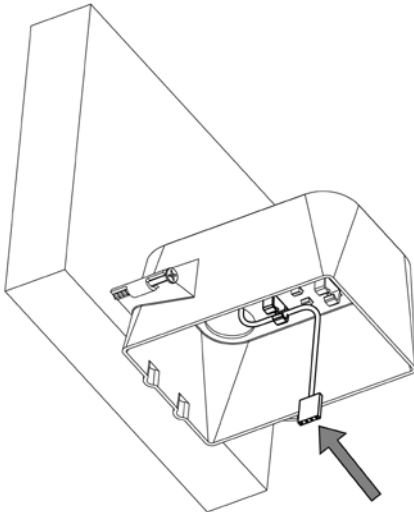


Figure 8



End of 30-foot control cable or one of the longer ends of Duo cable

Figure 9

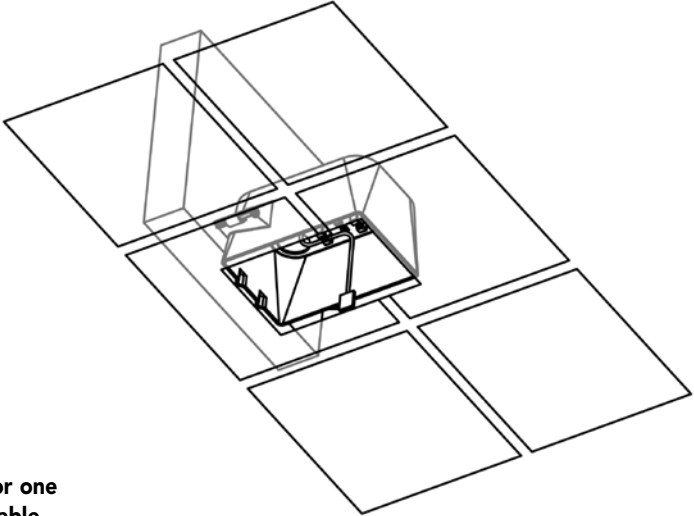


Figure 10

All drawings are for illustrative purposes only.

Installing the Fixture

To Install the Fixture:

1. Connect the ChromaSteam3 fixture's pigtail to the 30-foot control cable or Duo cable in the junction box (**Figure 11**).

IMPORTANT NOTE: Test that the fixture operates correctly prior to continuing with the following steps.

2. Clean the surface of the ceiling to ensure the double-stick adhesive of the fixture bonds completely to the ceiling.
3. Peel off and discard the protective layer from the fixture's double-stick adhesive (**Figure 12**).
4. Squeeze the retention springs on the back of the fixture and fit them into the junction box (**Figure 13**). Insert the fixture into the junction box and affix it to the ceiling, being careful not to pinch the pigtail/control cable/duo cable (note that the pigtail/control cable/duo cable is not shown in **Figure 13**). Press firmly around edges of the fixture to ensure adhesion to ceiling.
5. Apply a bead of silicone around the perimeter of the fixture (**Figure 14**) as required to create a moisture seal between the fixture and the steam room ceiling. Use tape or other means as required to keep the fixture in position as the silicone cures.

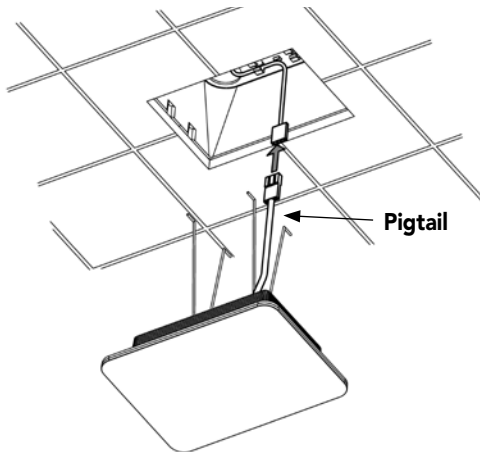


Figure 11

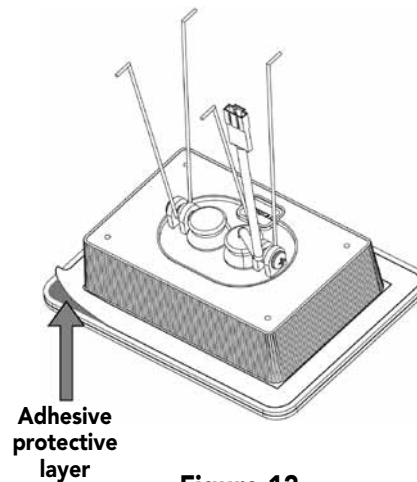


Figure 12

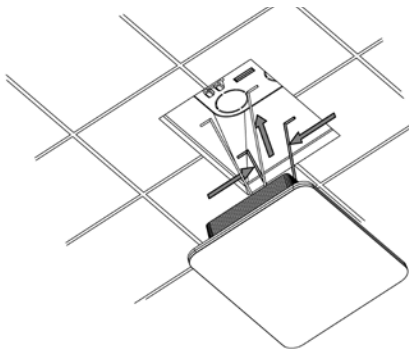


Figure 13

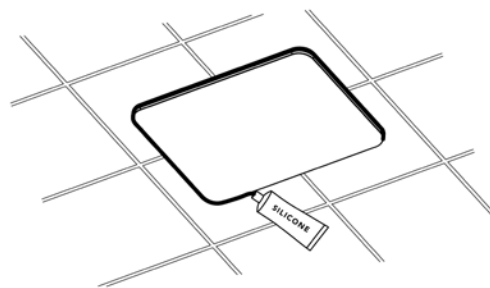


Figure 14

All drawings are for illustrative purposes only.

Connecting the ChromaSteam3 Fixture to the ChromaSteam3 Control Box

⚠ WARNING

- **Shock Hazard.** Ensure that power is turned off during installation. Turn off power at breaker panel.
- **Shock Hazard.** To prevent electric shock, do not remove the screws on the back of the control box. No user-serviceable parts inside. Refer servicing to qualified service personnel only.

At this point in the installation:

- For installation with one ChromaSteam3, the ChromaSteam3 fixture's pigtail has been connected to one end of the 30-foot control cable (see page 8), and the other end has been routed through conduit so that it is located for connection to the control box.
- For installation with two ChromaSteam3, the longer end of Duo cable (with a yellow flag stating "To fixture") has been routed through conduit, the ChromaSteam3 fixture's pigtail has been connected to the longer end of Duo cable (with a yellow flag stating "To Fixture"), one end of 30-foot control cable has been located for connection to the control box. Connect the shorter end of Duo cable (with a yellow flag stating "To 30'/60' Cable") to the other end of the 30-foot control cable.

1. Using a Phillips-head screwdriver, remove the two cover screws from the front of the ChromaSteam3 control box (**Figure 15**), and remove the cover from the unit (**Figure 16**).
2. Insert the free end of the control cable into the control box's LED receptacle (**Figure 17**).
3. Route the control cable through an empty slot in the lower portion of the control box's housing (**Figure 18**).
4. Replace and secure the control box cover using the two cover screws.

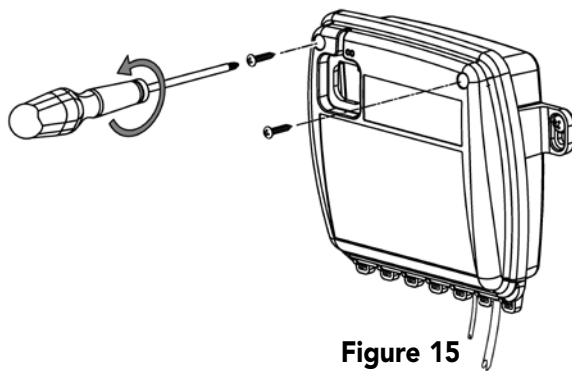


Figure 15

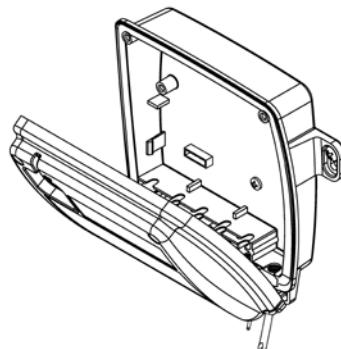


Figure 16

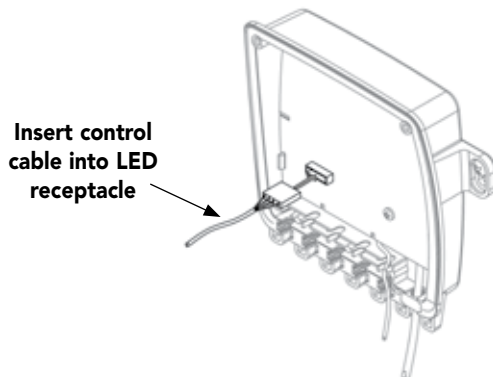


Figure 17

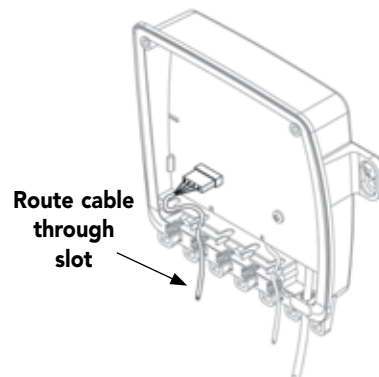


Figure 18

All drawings are for illustrative purposes only.

Connecting the ChromaSteam3 Control Box to the Steam Generator

The final connection is made from the ChromaSteam control box (Figure 19) to an internal connector in the steam generator.

⚠ WARNING Shock Hazard. Power must be disconnected at the main electrical supply before removing the steam generator cover. For information about the steam generator, refer to the installation, operation, and maintenance manual supplied with the steam generator (also found at www.mrsteam.com/technical).

1. Remove the steam generator cover, and remove knockout on steam generator.
2. Connect the controller cord directly to the steam generator's circuit board, **Figure 20**.
3. Plug the ChromaSteam3 control box power cord into a 120V grounded electrical outlet.

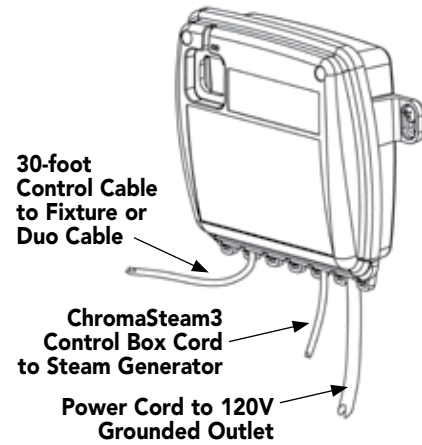


Figure 19

Connecting Multiple Accessories to the Steam Generator

To operate the SteamLinx, AudioSteam3 and ChromaSteam3 via iSteam3, you must connect the accessories to an internal connector in the steam generator.

⚠ WARNING Shock Hazard. Power must be disconnected at the main electrical supply before removing the steam generator cover. For information about the steam generator, refer to the installation, operation, and maintenance manual supplied with the steam generator (also found at www.mrsteam.com/technical).

1. Remove the steam generator cover and knockout on the steam generator.
2. Connect the accessories' controller cord directly to the steam generator's circuit board (Figure 20).
3. If the circuit board is not set up to receive multiple connections, please contact technical support.

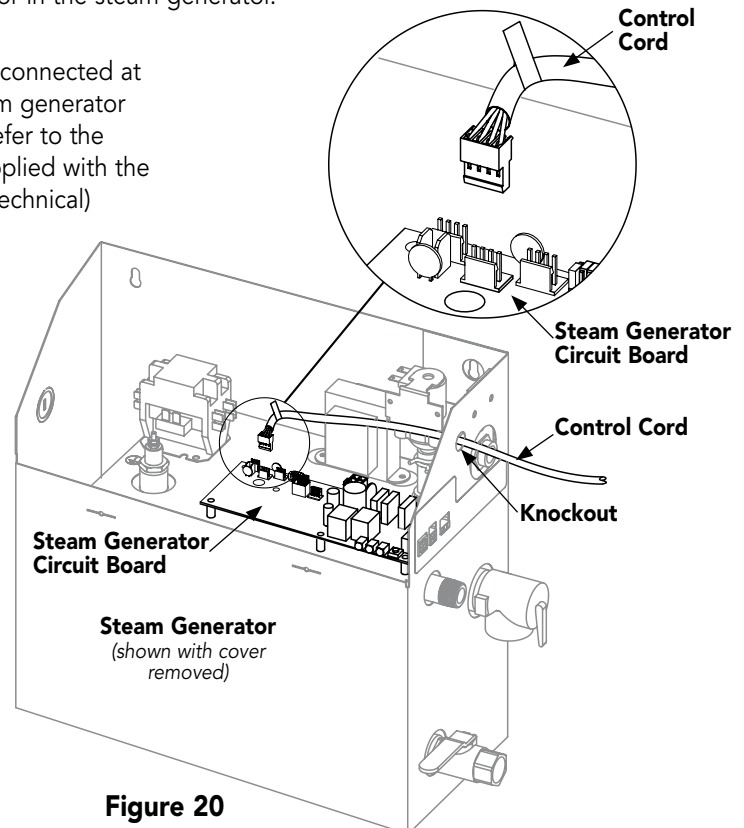


Figure 20

All drawings are for illustrative purposes only.

ChromaSteam3 Specifications

ENVIRONMENTAL RATINGS	CONTROL BOX	FIXTURE
Operating temperature:	-4 °F (-20 °C) to 140 °F (60 °C)	-4 °F (-20 °C) to 140 °F (60 °C)
Storage temperature:	-22 °F (-30 °C) to 185 °F (85 °C)	-22 °F (-30 °C) to 185 °F (85 °C)
Humidity:	70% max	100%, condensing
Water resistance:	IPX5	Designed to IP67

MECHANICAL	CONTROL BOX	FIXTURE
Weight:	1.9 lb (0.87 Kg)	1 lb (0.45 Kg)
Dimensions (W x H x D):	7 1/32" x 6 1/8" x 2 1/4" (179 mm x 156 mm x 57 mm)	6 5/16" x 4 11/16" x 1 1/2" (161 mm x 120 mm x 38 mm)

LINE INPUT	CONTROL BOX
Input voltage:	120VAC 50/60Hz

LED OUTPUTS	CONTROL BOX
	5 VDC 1.6A Max
	up to 78,000 colors
	2 rainbow effects with smooth transition

HOMEOWNER/END-USER INSTRUCTIONS

About ChromaSteam3

Like water and heat, light is a fundamental life force and may improve your physical and mental state. The Mr.Steam ChromaSteam®3 system integrates light with steam, creating chromatherapy environments rich with color, mood, and warmth:

- ChromaSteam3 suffuses the steam shower with a spectrum of color from airy blue to sensual red.
- Vapor-sealed, low voltage LED module yield long-lasting high performance and cool operation.
- ChromaSteam3 offers a wide range of 78,000 different colors.
- ChromaSteam3 is UL listed for safety.

ChromaSteam3 Warranty

To view or download the **MrSteam® Accessory Warranty** and register your product, go to: blog.mrsteam.com/wr

Operating ChromaSteam3

You can control the ChromaSteam3 LED module from within your steam room using the iSteam3 control. Select from 78,000 different colors — and control the brightness of the light — all from a simple interface.

To operate the ChromaSteam3 using iSteam3:

1. Turn on iSteam3 and wait for the iSteam3 home screen to appear.
2. Turn on the ChromaSteam fixture (**Figure 21**) by tapping the **LIGHT BULB** icon (**A**) and then tapping the **CHROMA** button (**B**).
3. Tap the **COLOR WHEEL** icon (**A** in **Figure 22**).
4. The color wheel and brightness control will appear (**Figure 23**). Tap anywhere in the color wheel (**A**) to choose the desired color. Slide the brightness control (**B**) left or right to choose the desired intensity of light.
5. Turn on preset colors by tapping the **LED LIGHTS** icon (**A** in **Figure 24**) and then scrolling through and tapping a color (**A** in **Figure 25**).
6. Turn off ChromaSteam3 by tapping the **POWER** icon (**A** in **Figure 26**) and then tapping the **CHROMA** button (**B** in **Figure 26**).

CAUTION

Note that ChromaSteam3 is for mood lighting only, and does not substitute for general shower illumination.

NOTICE

ChromaSteam3 only works with iSteam3.

IMPORTANT NOTE: For complete instructions on operating the iSteam3, refer to the iSteam technical manual (see www.mrsteam.com).

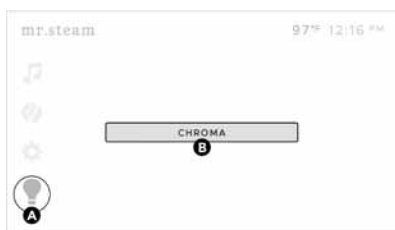


Figure 21



Figure 22

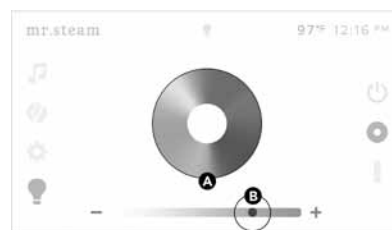


Figure 23



Figure 24



Figure 25

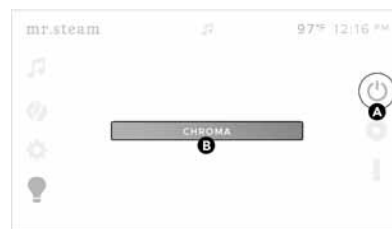


Figure 26

All drawings are for illustrative purposes only.

mr.steam®

Feel Good Inc.®

FOR MORE INFORMATION PLEASE CALL

Sales & Support

EAST COAST 1.800.76.STEAM

WEST COAST 1.800.72.STEAM

www.mrsteam.com

mr.steam Sussman-Automatic Corporation® • www.mrsteam.com • hello@mrsteam.com

43-20 34th Street, Long Island City NY 11101

9410 S. La Cienega Blvd., Inglewood CA 90301

TEL: 1 800 76 STEAM FAX: 718 472 3256

TEL: 1 800 72 STEAM FAX: 310 216 2944

Products, information and specifications are subject to change without notice.



Installation, Operation & Maintenance Manual

AromaSteam

Fragrance Metering Pump System for
Residential and Day Spa Steam Rooms

Part Number MS AROMA (120V)

IMPORTANT: Leave this material with the home owner.

mr.steam® | Feel Good Inc.®

⚠ WARNING This installation, operation and maintenance manual is for general reference. The installation, operation and maintenance manual supplied with the product must be used for installation, operation and maintenance purposes. Failure to use the installation, operation and maintenance manual supplied may result in a property damage or personal injury.

INSTALLER SECTION

BEFORE INSTALLING

Carefully inspect the AromaSteam pump and packaging for shipping damage. In the event of shipping damage, please contact the carrier for claim information. Our customer service department can assist you with product replacement.

Read these instructions before installation or service. Although the AromaSteam pump has been fully qualified for shipment by MrSteam, the following must be reviewed for proper, safe and enjoyable steam bathing:

1. Verify that the model and accessories specifications are correct for the application.
2. The physical size of the unit, clearance for plumbing servicing, its distance from the steam room and fragrance location must all be considered before final installation.
3. Consider any controls and accessories before initiating installation. Read the Installation and Operation Manual of all controls and accessories available at www.mrsteam.com technical downloads.

IMPORTANT NOTES:

This document contains important safety, operation and maintenance information. After installation leave this document with the homeowner. Do not discard this document.

The following general information should be used in conjunction with consultations with an architect, designer and contractor in determining factors necessary in providing a suitable and safe steam room. MrSteam AromaSteam pumps are intended to be operated with MrSteam iSteam®, AirTempo®, iTempoPlus® and iTempo® controls only, and are to be installed strictly in accordance with the specific instructions contained in this manual and as supplied in the manuals provided with the controls or accessories.

TABLE OF CONTENTS

Installer’s Section:

- Box Contents..... 3
- Important Safety Information 4
- System Overview..... 5
- General System Dimensions 6
- General Installation 7-11
- Operation 12
- Troubleshooting..... 13
- Replacement Parts 14
- Installing the Caddy 15-16

Homeowner’s Section

- Fragrances 17
- Important Safety Information 18
- Locating the Caddy..... 19
- Pump Operation..... 19-20
- Warranty 20



WARNING

This room is equipped with a fragrance dispensing system.

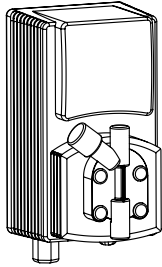
Leave the room immediately if you have any adverse or allergic reactions, including difficulty breathing or eye, nasal, throat, or skin irritation and seek medical attention.

mr.steam® 43-20 34th Street, Long Island City NY 11101 1-800-76 STEAM www.mrsteam.com PUR100405 2/06

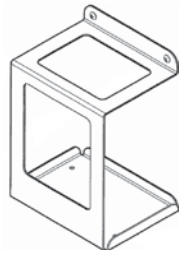
IMPORTANT NOTE: This “peel and stick” warning label shall be posted in a conspicuous location next to the steam room door.

INSTALLER SECTION

Box Contents



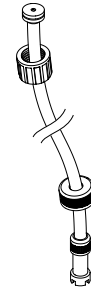
Pump



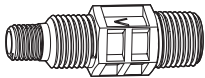
Caddy



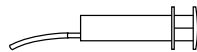
Pressure Tube Assembly



Suction Tube Assembly



Check Valve



**Injector with
Injector Tubing**



**Installation & Operation
Manual** with peel and stick
Warning label

Additional Items included but not shown:

- 2x Mounting Screws and Anchors for Caddy and Pump
- Fuse

All Drawings for Illustrative Purposes Only

IMPORTANT NOTE: As you follow these instructions, you will notice warning and caution symbols. This blocked information is important for the safe and efficient installation and use of the pump, fragrance and caddy. These are types of potential hazards that may occur during installation and operation:

! WARNING states a hazard may cause serious injury or death if precautions are not followed.

! CAUTION signals a situation where minor injury or product damage may occur if you do not follow instructions.

IMPORTANT NOTE: This highlights information that is especially relevant to a problem-free installation.

All information in these instructions is based on the latest product information available at the time of publication. Sussman-Automatic Corporation reserves the right to make changes at any time without notice.

INSTALLER SECTION

WARNING

FLAMMABLE LIQUID AND VAPOR

- Keep the pump and fragrance away from heat, sparks, electrical outlets, open flames such as candles and hot surfaces.
- No smoking.
- Keep Out of the Reach of Children.
- Use only non-sparking tools. Take precautionary measures against static discharge.
- Contains denatured ethyl alcohol
- In case of fire: Use CO2, dry chemical, alcohol foam, and water spray for extinction.
- Always store the MrSteam Aroma fragrances in a secure location. Keep container tightly closed and store in a cool, dry and well-ventilated place.
- Always use this Caddy.

WARNING

- Avoid fragrance contact with eyes. May cause mild eye irritation. Ingestion may cause irritation, nausea, vomiting.
- Fragrance vapors may cause drowsiness, allergic reactions, difficulty breathing or skin irritation. If condition persists get medical attention.
- The Fragrance Safety Data Sheet provides comprehensive information about MrSteam Aroma fragrances. Contact 1-800-767-8326 or go online at www.mrsteam.com for a copy of the Safety Data Sheet.
- MrSteam fragrances (MS OIL 1- 5) are only for use with the MrSteam AromaSteam dispensing pump (part number MS AROMA and MS AROMAC). Never use MrSteam fragrances in any other pump, spray or dispensing device. The use of MrSteam fragrances in any other device may cause personal injury.
- The use of any fragrances other than MrSteam fragrances with a MrSteam AromaSteam dispensing pump may introduce excessive concentration of fragrances into the steam room, resulting in personal injury.
- Keep out of the reach of children.
- Always install the Check Valve. Failure to install the Check Valve may result in excessive fragrance delivery into the steam room and cause dizziness and/or personal injury.
- The AromaSteam pump has been factory set to deliver a suitable amount of fragrance into a typical sized residential or Day Spa steam room. Start with the pump volume at a very low setting. Gradually increase the volume setting until a comfortable fragrance level is reached. Do not exceed the "Recommended Setting" indicated on the pump volume.
- Do Not alter or modify any MrSteam product. Doing so may result in a personal injury.
- Discontinue use of the steam generator and control if the steam generator or control are damaged or otherwise not functioning properly. Doing so may result in an inoperative or hazardous installation
- **ELECTRICAL SHOCK HAZARD.** MrSteam AromaSteam pumps are connected to 120V line voltage and contain live electrical components. All installation and service to be performed by qualified and licensed electricians and plumbers only. Installation or service by unqualified persons or failure to use MrSteam parts may result in property damage or in a hazardous condition.
- Install according to Local and National plumbing and electrical codes.

FIRST AID

IN CASE OF EYE CONTACT: Rinse the eyes immediately with plenty of water, also under the eyelids, for at least 15 minutes. If eye irritation persists: Get medical attention.

IN CASE OF SKIN CONTACT: Remove/Take off immediately all contaminated clothing. Rinse skin with soap and water or shower. If skin irritation persists, get medical attention.

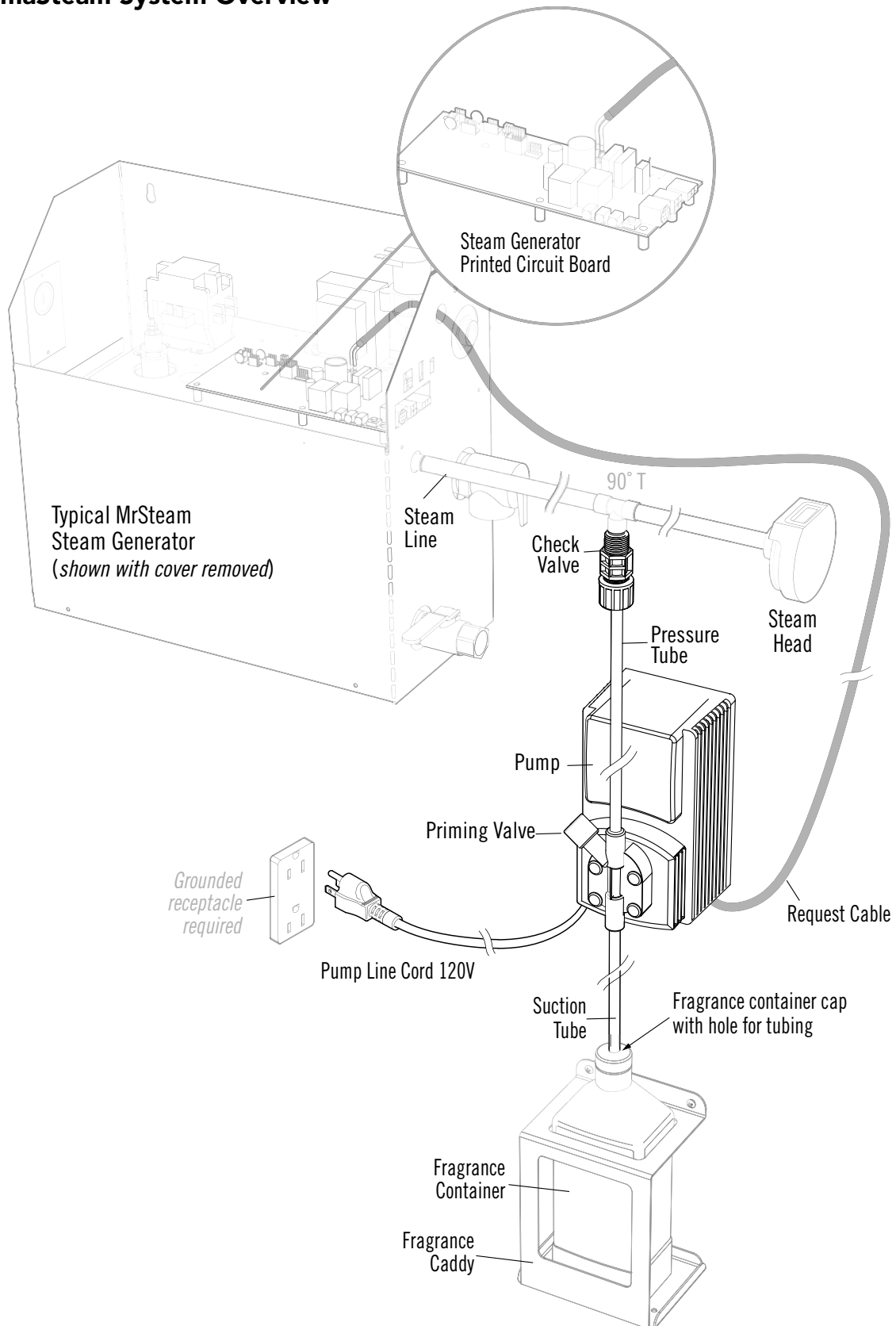
IF SWALLOWED: Do not induce vomiting. Rinse mouth thoroughly with water. If conscious, give large amounts of water. If symptoms persist, call a physician.

IMPORTANT NOTES:

- MrSteam Aroma fragrances are only for use in residential and day spa installations. Do Not use MrSteam Aroma fragrances in commercial installations.
- Not for use in acrylic or fiberglass rooms. Check with the room manufacturer to determine compatibility of these fragrances with room construction materials.
- Do Not alter or modify any MrSteam product. Doing so will void the warranty.
- MrSteam Aroma fragrances must be disposed of as hazardous waste.

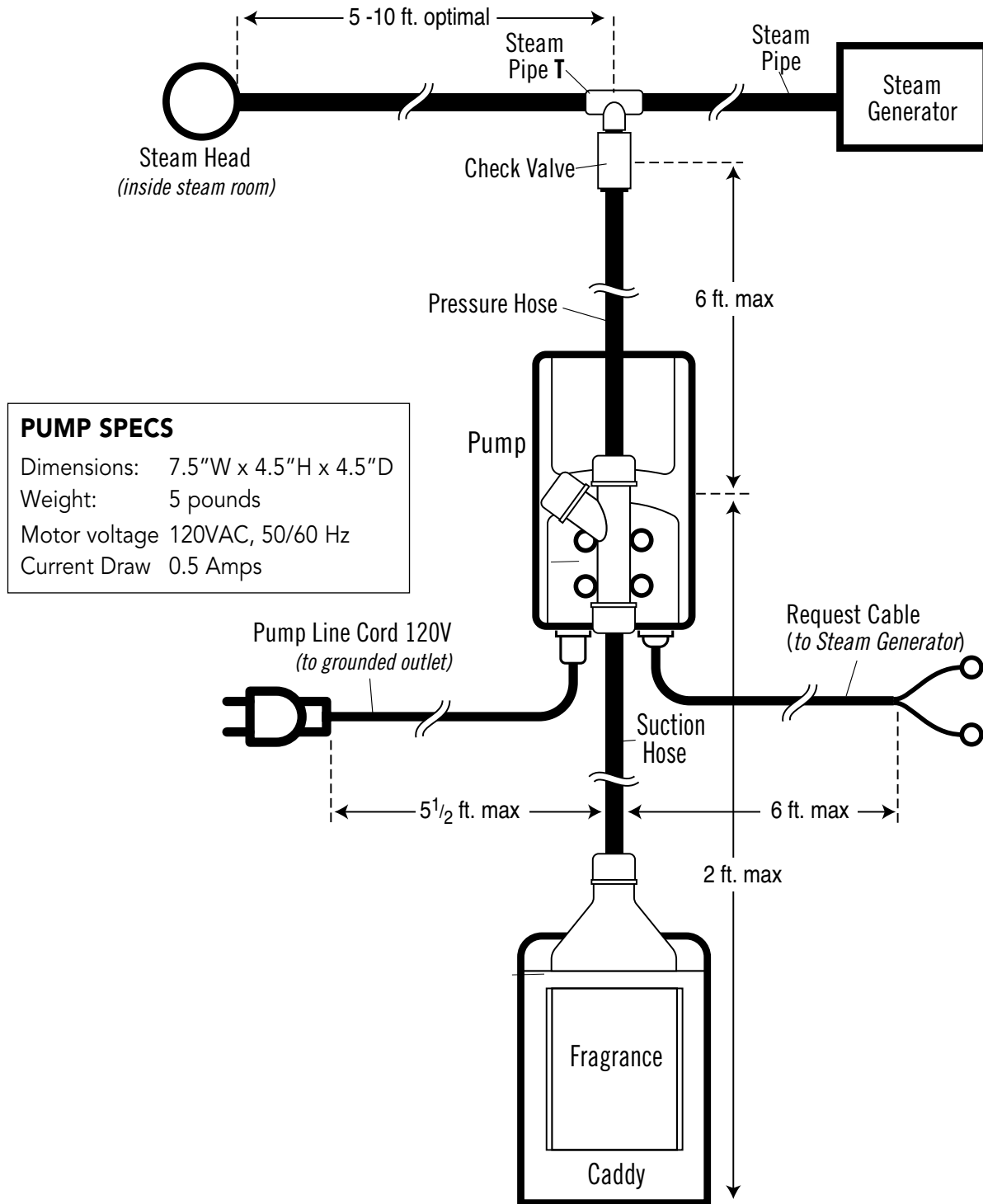
INSTALLER SECTION

AromaSteam System Overview



INSTALLER SECTION

General System Dimensions



INSTALLER SECTION

WARNING STICKER

The warning label (*supplied on page 2*) shall be posted in a conspicuous location next to the steam room door.



Warning Sticker (not actual size)

PUMP LOCATION AND INSTALLATION

1. Keep the AromaSteam System away from heat, sparks, electrical outlets, open flames such as candles and hot surfaces.
2. Locate the Fragrance and Caddy to monitor the consumption of fragrance and for easy replacement.
3. The AromaSteam System should not be installed in areas accessible to children. A locked room is strongly recommended (i.e. utility room)
4. The AromaSteam System is designed and intended for indoor use only and is to be located indoors in a dry clean location and not subject to moisture, condensation or similar high humidity environments.
5. Do not install the AromaSteam System outdoors.
6. Do not install the AromaSteam System in a location where water could freeze.
7. Do not install the AromaSteam System near corrosive materials and chemicals. Installation in areas having high concentrations of chlorine (such as pool equipment room) should be avoided.
8. Attach the AromaSteam Pump onto a secure vertical surface.
9. Use only non-sparking tools. Take precautionary measures against static discharge.

INSTALLER SECTION

Installing the 90 degree T and Check Valve

1. For optimal results locate a brass 90 degree **T** (not provided) in the steam supply line within 5-10 feet of the steam head. If using copper tubing for steam lines, install a female 1/2 NPT or 1/4 NPT reducing Tee in the steam line facing downward.
2. **T** must face downward as shown.

IMPORTANT NOTE: Follow the installation instructions for the steam pipeline in the MrSteam Steam Bath Installation and Operation Manual. Visit www.mrsteam.com to download this document.

3. Install Check Valve into 90° **T**/adaptor.

!WARNING The Check Valve prevents excessive amounts of fragrance from entering the steam line and steam room. Never install the AromaSteam System without the Check Valve. Failure to install the Check Valve may result in excessive fragrance delivery into the steam room and cause dizziness and/or personal injury.

PRESSURE TUBE ASSEMBLY

For your convenience the pressure tube assembly is provided pre-assembled. If additional tubing is needed please contact MrSteam Technical service at 1-800-767-8326 or 1-800-727-8326.

Installation of Pressure Tube to the Pump

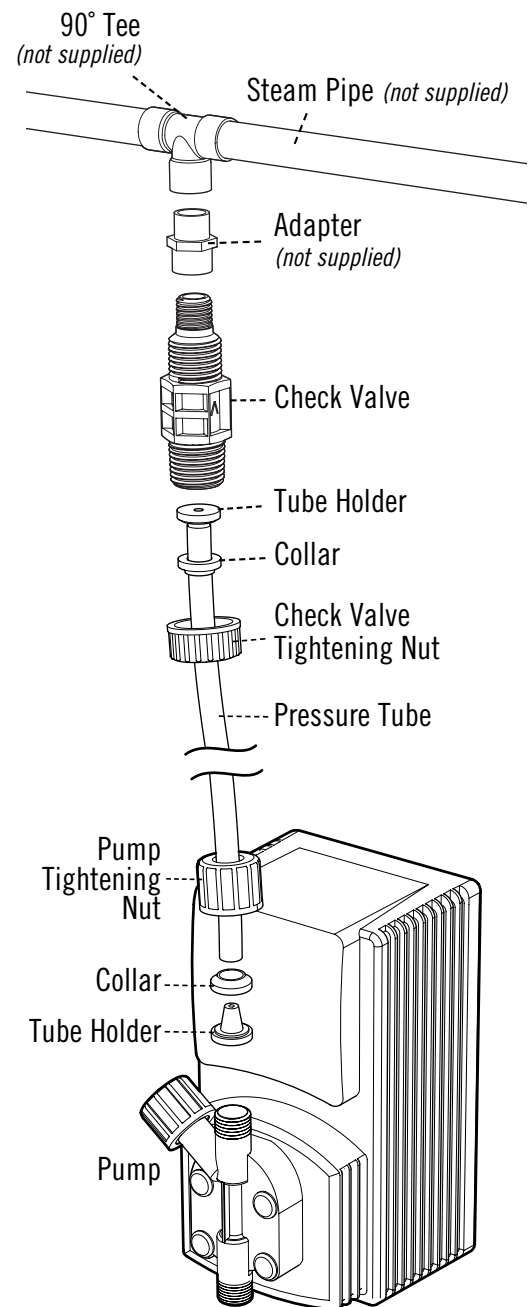
1. Insert the pressure tube through the hole of the pump tightening nut and collar and firmly push the tube onto the tube holder.
2. Screw the pump tightening nut onto the pump and tighten the nut by HAND only.

Installation of Pressure Tube to the 90° T

1. Insert the pressure tube through the Check Valve tightening nut and collar and firmly push the pressure tube onto the tube holder.
2. Screw the Check Valve tightening nut onto the Check Valve.

IMPORTANT NOTE: To prevent connection from leaking, insert tubing holder completely into tubing until it reaches the bottom. Lubricate the ID of the tubing as required with soap to facilitate insertion.

IMPORTANT NOTE: To prevent damage do not use tools to tighten the nut.



INSTALLER SECTION

SUCTION TUBE ASSEMBLY

For your convenience the suction tube assembly is provided preassembled. If additional tubing is needed please contact MrSteam Technical service at 1-800-767-8326 or 1-800-727-8326.

Installation of Suction Tube to the Pump

1. Insert the suction tube through the pump tightening nut and collar and firmly push the tube onto the tube holder.
2. Screw the suction tube tightening nut to the suction side of the pump.

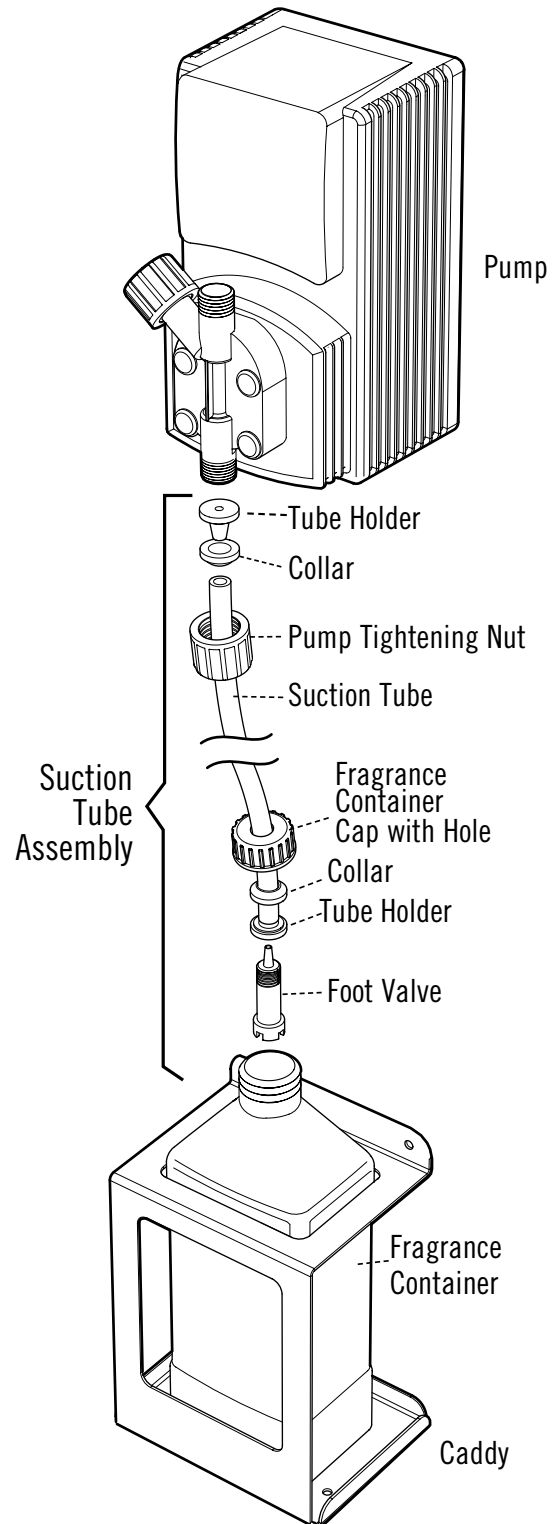
IMPORTANT NOTE: HAND-TIGHTEN ONLY.

Installation of Suction Tube into the Fragrance Container

1. Locate the "container cap" with the hole included with the bottle of fragrance.
2. Insert the suction tube through the hole in the container cap.
3. Remove the foot valve cap and insert the suction tube through the cap. Push the suction tube onto the foot valve. Tighten the cap onto the foot valve.
4. Unscrew the cap from the fragrance container and discard.
5. Screw the cap onto the fragrance container.
6. Make sure the Foot Valve rests on the bottom of the fragrance container.

IMPORTANT NOTE: To prevent connection from leaking, insert tubing holder completely into tubing until it reaches the bottom. Lubricate the ID of the tubing as required with soap to facilitate insertion.

IMPORTANT NOTE: To prevent damage do not use tools to tighten the nut.



INSTALLER SECTION

Priming the Pump

1. Insure MrSteam fragrance container is full.
2. Insert a short piece of soft injector tube onto the tip of the injector (see Fig. 1).
3. Insert the open end of the injector tube onto the pressure valve (see Fig. 1).
4. Open the priming valve by turning the knob counter clockwise one full revolution.
5. Draw liquid from the injector slowly and evenly. Continue until the injector is full of liquid.
6. If you have drawn up the injector completely and no liquid is in the injector, remove the injector tube from the pressure valve.
7. Drain injector. Repeat steps until the injector is filled.
8. Save the fragrance injector as it may be needed when new fragrances are used.
9. Close the priming valve completely by turning the knob clockwise.

CAUTION Failing to close the valve will result in fragrance leaking from the priming port.

IMPORTANT NOTE: If an extended pressure tube is special ordered then contact MrSteam Technical Service (see page 20) for instructions for filling the pressure tube with fragrance.

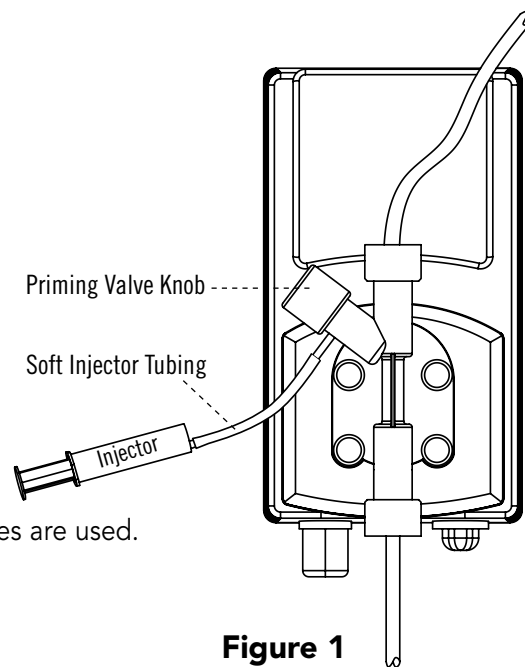


Figure 1

INSTALLER SECTION

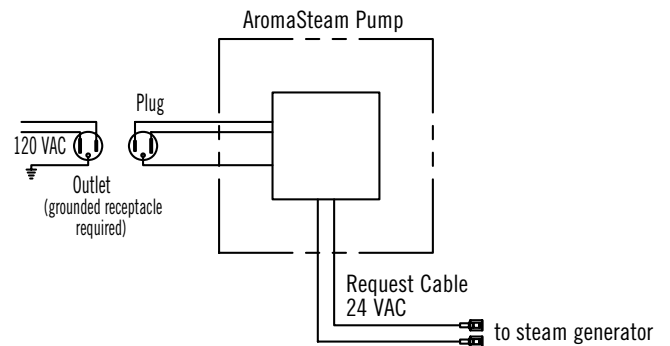
Electrical Connection of AromaSteam System

CAUTION This AromaSteam system is factory wired. If the power cord of the AromaSteam pump is damaged it must be replaced by the MrSteam service department or similarly qualified personnel in order to avoid an electric shock hazard. All electrical connections to be made by a licensed, qualified electrician. Disconnect all power to the steam generator before making power connections.

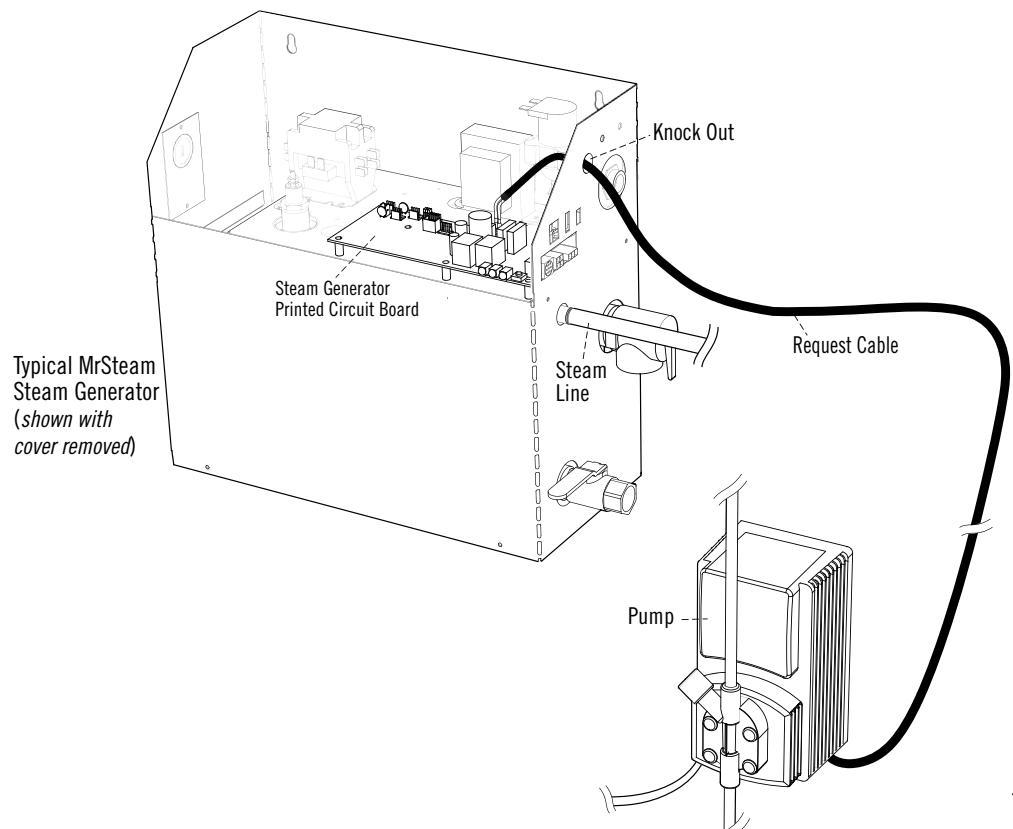
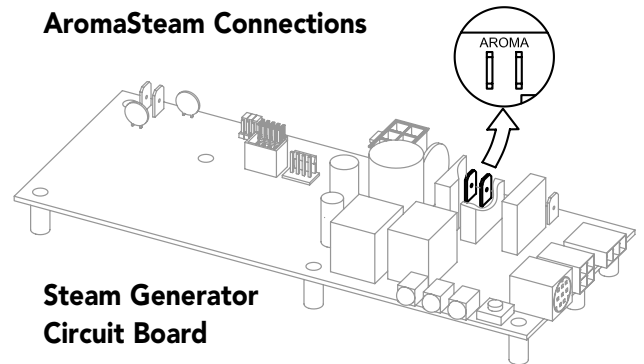
IMPORTANT NOTE: AromaSteam system is for use with AirTempo® iSteam® and iTempoPlus® controls only.

1. Disconnect all power to the MrSteam steam generator. Failure to disconnect power may result in an electrocution hazard. Remove the top cover.
2. Run the request cable from the AromaSteam pump through one of the knock outs in the side of the steam bath generator. Use a strain relief bushing or grommet to prevent chafing.
3. Locate the two quick connect tabs labeled "AROMA" on the printed circuit board in the location shown.
4. Connect the request cable to the terminals. The terminals are not polarized.

AromaSteam Wiring Schematic



AromaSteam Connections



INSTALLER SECTION

OPERATION

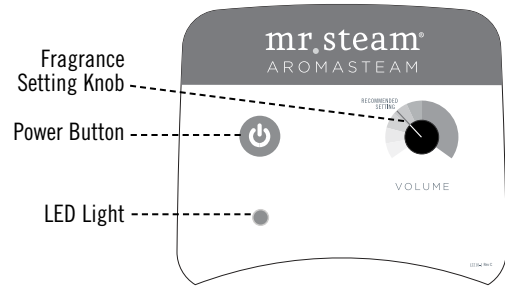
Powering Up the Pump

IMPORTANT NOTE: This step only needs to be performed during installation.

1. The pump needs to be turned on before it can be used
2. Press and hold the power button for 3 seconds.
The LED will turn on solid red.

PUMP LED LIGHT: KEY:

- Flashing Green LED Pump is OFF. Press and hold the power button for 3 seconds to turn the pump on.
- Solid Red Pump is ON, but has not been activated. To activate the pump, turn your steam generator ON from the in-shower control and press the aroma button.
- Solid Green LED Pump is on and has been activated from the in-shower control.
The LED will turn off each time the pump injects fragrance into the steam line.



Adjusting the Amount of Fragrance Delivery

The AromaSteam system has been factory set to deliver a suitable amount of aromatic fragrance into a typical sized steam room. Do not exceed the maximum setting. Please contact the MrSteam Technical Service Department before changing this setting.

Contact the MrSteam Technical Service Dept. at (800) 76-STEAM (East coast) or (800) 72-STEAM (West Coast) for assistance or additional information.

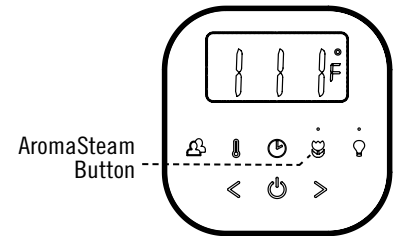
!WARNING Increasing the settings may introduce excessive concentration of fragrance into the steam room, resulting in a health hazard.



Activating the Pump from a Control

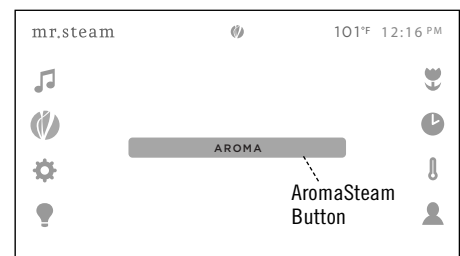
Air Tempo® Control

1. Press the ON/OFF button to turn the steam generator ON.
2. Press the AROMA button, AROMA will be displayed on the screen when AromaSteam is on.
3. Aroma fragrance will automatically be pumped into the steam line at preset intervals.



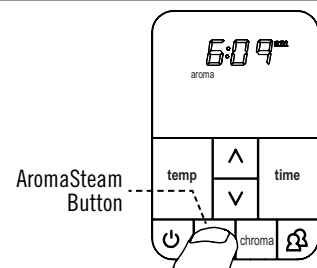
iSteam® Control

1. Press the START button to turn the steam generator on.
2. In the dashboard press the AROMA button, the button will be highlighted when AromaSteam Pump is on.
3. Aroma fragrance will automatically be pumped into the steam line at preset intervals.



iTempoPlus® Control

1. Press the ON/OFF button to turn the steam generator ON.
2. Press the AROMA button, AROMA will be displayed on the screen when AromaSteam is on.
3. Aroma fragrance will automatically be pumped into the steam line at preset intervals.



INSTALLER SECTION

TROUBLESHOOTING

⚠️WARNING TO AVOID ELECTRIC SHOCK, DISCONNECT POWER TO PUMP BEFORE SERVICING

Pump does not prime

1. Check if voltage is available.
2. Check liquid level in fragrance container. Replenish liquid, if necessary.
3. Check for air bubbles in the suction tube or the pump head. To eliminate air bubbles see: Priming Pump.
4. Check valves for contamination. Clean valves if necessary.
5. Check foot valve in container for contamination. Rinse foot valve under clean water.

Pump does not inject fragrance into steam room

1. Check if voltage is available.
2. Check liquid level in fragrance container. Replenish fragrance if necessary.
3. Check for air bubbles in the suction tube or the pump head. To eliminate air bubbles see: Priming Pump.
4. Check valves for contamination. Clean valves if necessary.
5. Check foot valve in container for contamination. Rinse foot valve under clean water.
6. Check the pressure tube for kinking or jamming. Straighten or replace.
7. Check if fragrance is freely flowing through the Check Valve when the metering pump is energized. Apply compressed air through the Check Valve. Attach the compressed air at the point of connection of the pressure tube.
8. Ensure the pump has been powered up. See page 12.

Pump fragrance delivery too much or too little

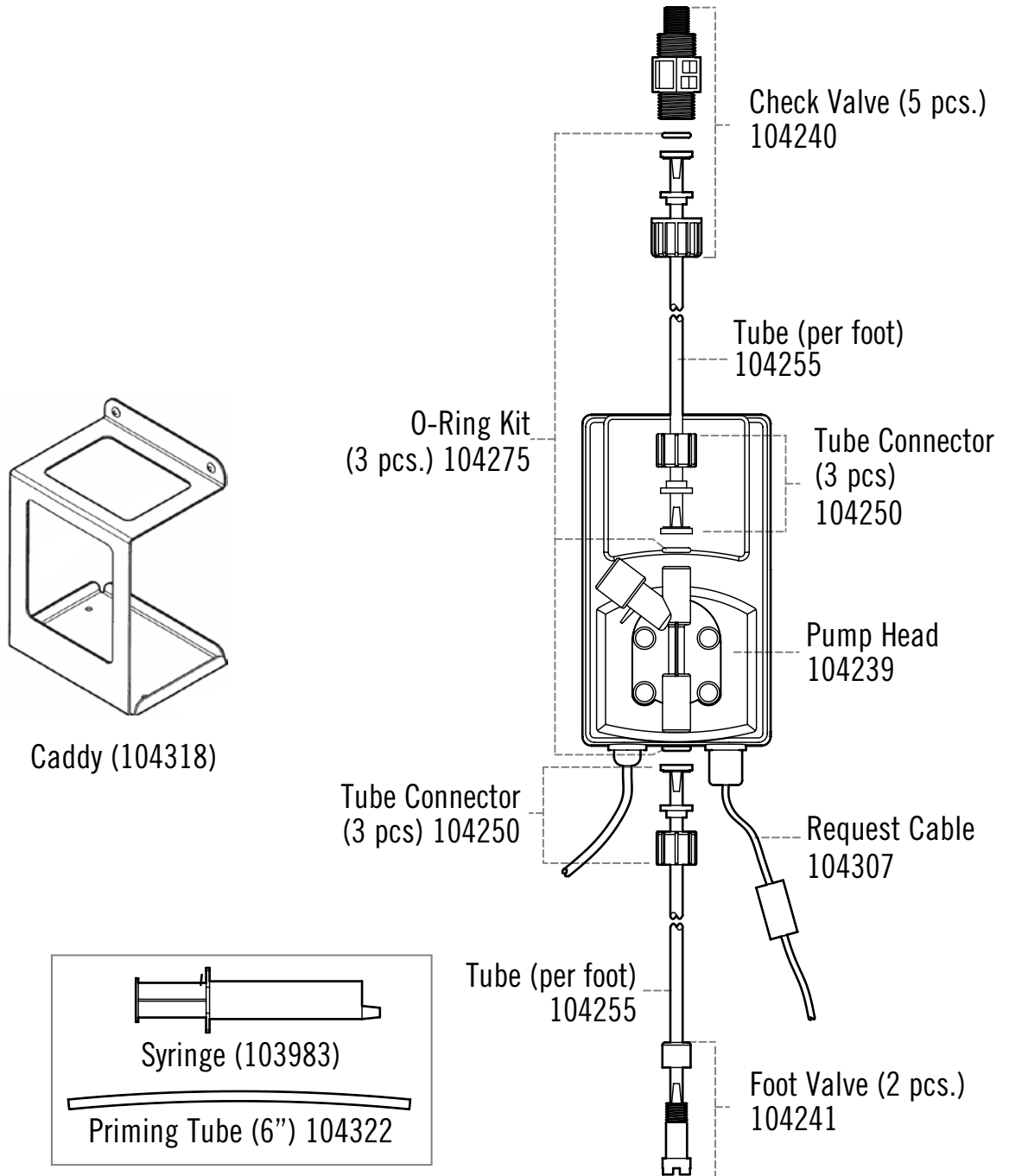
⚠️WARNING The AromaSteam system has been factory set to deliver a suitable amount of aromatic fragrance into a typical sized steam room. Please contact the MrSteam Technical Service Department before changing this setting. See page 12 for instructions on adjusting the amount of fragrance delivery.

Contact the MrSteam Technical Service Dept. at (800) 76-STEAM (East coast) or (800) 72-STEAM (West Coast) for assistance or additional information.

⚠️WARNING ELECTRICAL SHOCK HAZARD. MrSteam AromaSteam pumps are connected to 120V line voltage and contain live electrical components. All installation and service to be performed by qualified and licensed electricians and plumbers only. Installation or service by unqualified persons or failure to use MrSteam parts may result in property damage or in a hazardous condition.

INSTALLER SECTION

REPLACEMENT PARTS



INSTALLER SECTION

Installing the Caddy:

Box Contents:

- Stainless steel caddy
- Mounting screws (2)
- Instructions

Tools required:

- Cordless drill with a Phillips bit
 - Level
- *Use only non-sparking tools. Take precautionary measures against static discharge

Locating the Caddy:

1. Place in a location that allows visual monitoring of the fragrances level.
2. Place in a location that allows for easy replacement of the fragrance container.
3. The caddy should not be installed in areas accessible to children. A locked room is strongly recommended (ie: utility room).
4. The caddy must be installed below the pump. The maximum distance from the pump to the bottom of the caddy is 6 feet. (Diagram 1)
5. The caddy is designed and intended for indoor use only. Do not install outdoors.
6. Do not install in an unheated location where water could freeze.
7. Locate in a area where the ambient temperature does not exceed 88° F.

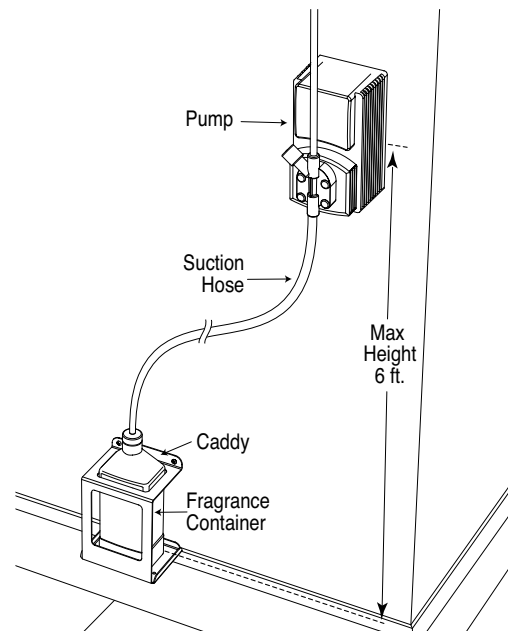


Diagram 1

Drawing details removed for clarity

Mounting the Caddy on a Wall:

1. Use a level to make sure the caddy is level.
2. Use the two mounting screws provided to secure the caddy using the two holes at the top of the caddy (Diagram 2).
3. Use anchors or other hardware as required for secure mounting. Test the caddy for secure mounting.
4. Insert the fragrance container with the label facing outward so it is visible through the caddy window (Diagram 4). The label contains important information.
5. Connect the fragrance container to the pump according to instructions in the AromaSteam Fragrance Dispensing Pump Installation, Operation Manual (PUR 100402) (Diagram 5).
6. Always keep the container in the caddy while it is connected to the dispensing pump.

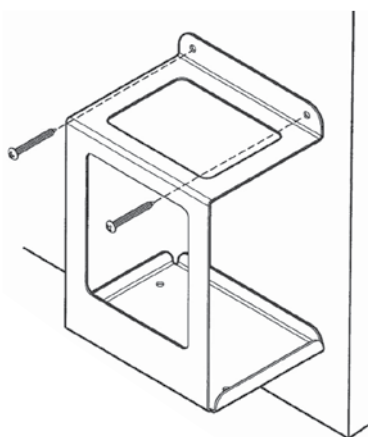


Diagram 2

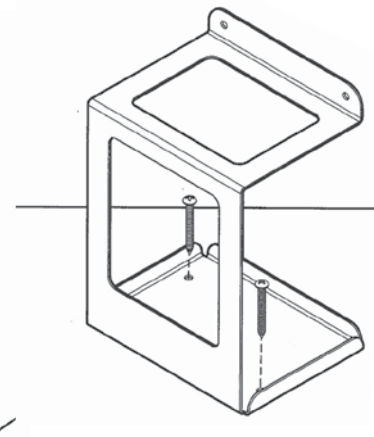



Diagram 3

 WARNING
<p>Using a fragrance container that is not secured in the caddy, or using a caddy that is not mounted may result in spillage, excessively strong vapors or a fire hazard.</p>

INSTALLER SECTION

Mounting the Caddy on a Floor:

1. Use the two mounting screws provided to secure the caddy using the two holes at the bottom of the caddy (Diagram 3).
2. Use anchors or other hardware as required for secure mounting. Test the caddy for secure mounting.
3. Insert the fragrance container with the label facing outward in a manner it is visible through the caddy window (Diagram 4). The label contains important information.
4. Connect the fragrance container according to instructions in the AromaSteam Fragrance Dispensing Pump Installation, Operation Manual (PUR 100402).
5. Always keep the container in the caddy while it is connected to the dispensing pump.

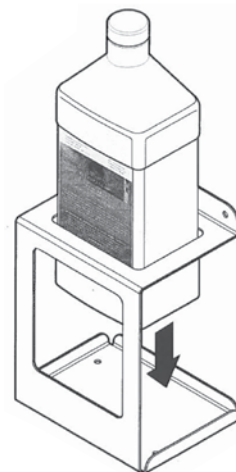


Diagram 4

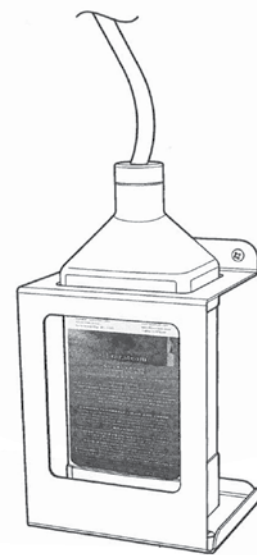


Diagram 5

! WARNING

Using a fragrance container that is not secured in the caddy, or using a caddy that is not mounted may result in spillage, excessively strong vapors or a fire hazard.

H O M E O W N E R S E C T I O N



MrSteam Aroma Fragrances
(MS OIL 1-5)

The AromaSteam’s state-of-the-art pump introduces fragrance into the steam pipe and into your steam shower.

MrSteam Aroma is Available in These Five Fragrances:

FRAGRANCE	PART NO.	CONTAINER VOLUME.
Eucalyptus	(MS OIL 1)	1 liter /33 fl.oz.
A deeply refreshing aroma with cleansing effects, eucalyptus may help open air passageways.		
Lavender	(MS OIL 2)	1 liter /33 fl.oz.
A sweet, lightly floral scent, lavender may help soothe anxiety with its calming & restorative properties.		
Evergreen	(MS OIL 3)	1 liter /33 fl.oz.
A refreshing blend of spruce, fir and pine reminiscent of a forest on a crisp morning.		
Energizing Mint	(MS OIL 4)	1 liter /33 fl.oz.
A blend of mint, citrus and herbs that may stimulate and energize.		
Breathe	(MS OIL 5)	1 liter /33 fl.oz.
A tropical combination that may help clear chest, nose and sinuses.		

The Safety Data Sheet provides comprehensive information about MrSteam Aroma fragrances. Contact 1-800-767-8326 or go online at www.mrsteam.com for a copy of the Safety Data Sheet.

READ ME FIRST!

⚠️ WARNING As you follow these instructions, you will notice warning and caution symbols. This blocked information is important for the safe and efficient installation and operation of this generator. These are types of potential hazards that may occur during installation and operation:

⚠️ WARNING Indicates a potentially hazardous situation, which, if not avoided, could result in death or serious injury.

⚠️ CAUTION Indicates a potentially hazardous situation, which, if not avoided may result in minor or moderate injury or product damage.

IMPORTANT NOTE: This highlights information that is especially relevant to a problem-free installation.

All information in these instructions is based on the latest product information available at the time of publication. Sussman-Automatic Corporation reserves the right to make changes at any time without notice.

HOMEOWNER SECTION

IMPORTANT SAFETY INSTRUCTIONS READ AND FOLLOW ALL INSTRUCTIONS

WARNING

FLAMMABLE LIQUID AND VAPOR

- Keep the pump and fragrance away from heat, sparks, electrical outlets, open flames such as candles and hot surfaces.
- No smoking.
- Keep Out of the Reach of Children.
- Contains denatured ethyl alcohol.
- In case of fire: Use CO2, dry chemical, alcohol foam, and water spray for extinction.
- Always store the MrSteam Aroma fragrances in a secure location. Keep container tightly closed and store in a cool, dry and well-ventilated place.

WARNING

- Avoid fragrance contact with eyes. May cause mild eye irritation. Ingestion may cause irritation, nausea, vomiting.
- Fragrance vapors may cause drowsiness, allergic reactions, difficulty breathing or skin irritation. If condition persists get medical attention.
- The Fragrance Safety Data Sheet provides comprehensive information about MrSteam Aroma fragrances. Contact 1-800-767-8326 or go online at www.mrsteam.com for a copy of the Safety Data Sheet.
- MrSteam fragrances (MS OIL 1- 5) are only for use with the MrSteam AromaSteam dispensing pump (part number MS AROMA and MS AROMAC). Never use MrSteam fragrances in any other pump, spray or dispensing device. The use of MrSteam fragrances in any other device may cause personal injury.
- The use of any fragrances other than MrSteam fragrances with a MrSteam AromaSteam dispensing pump may introduce excessive concentration of fragrances into the steam room, resulting in personal injury.
- Keep out of the reach of children.
- The AromaSteam pump has been factory set to deliver a suitable amount of fragrance into a typical sized residential or Day Spa steam room. Start with the pump volume at a very low setting. Gradually increase the volume setting until a comfortable fragrance level is reached. Do not exceed the "Recommended Setting" indicated on the pump volume.
- Do Not alter or modify any MrSteam product. Doing so may result in a personal injury.

FIRST AID

IN CASE OF EYE CONTACT: Rinse the eyes immediately with plenty of water, also under the eyelids, for at least 15 minutes. If eye irritation persists: Get medical attention.

IN CASE OF SKIN CONTACT: Remove/Take off immediately all contaminated clothing. Rinse skin with soap and water or shower. If skin irritation persists, get medical attention.

IF SWALLOWED: Do not induce vomiting. Rinse mouth thoroughly with water. If conscious, give large amounts of water. If symptoms persist, call a physician.

IMPORTANT NOTES:

- Not for use in acrylic or fiberglass rooms. Check with the room manufacturer to determine compatibility of these fragrances with room construction materials.
- Do Not alter or modify any MrSteam product. Doing so will void the warranty.
- MrSteam Aroma fragrances must be disposed of as hazardous waste.

HOMEOWNER SECTION

Locating the Caddy/Fragrance:

1. Place in a location that allows visual monitoring of the fragrances level.
2. Place in a location that allows for easy replacement of the fragrance container.
3. The caddy should not be installed in areas accessible to children. A locked room is strongly recommended (ie: utility room).
4. The caddy is designed and intended for indoor use only.
Do not install outdoors.
5. Do not install in an unheated location where water could freeze.
6. Locate in a area where the ambient temperature does not exceed 88° F.

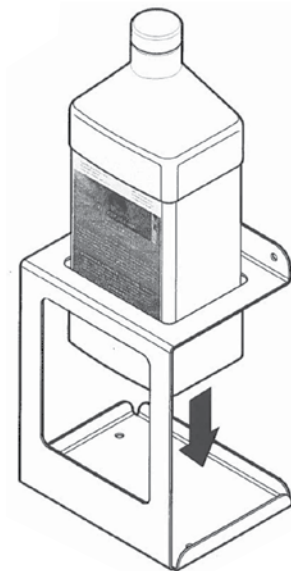



Diagram 1

 WARNING
<p>Using a fragrance container that is not secured in the caddy, or using a caddy that is not mounted may result in spillage, excessively strong vapors or a fire hazard.</p>

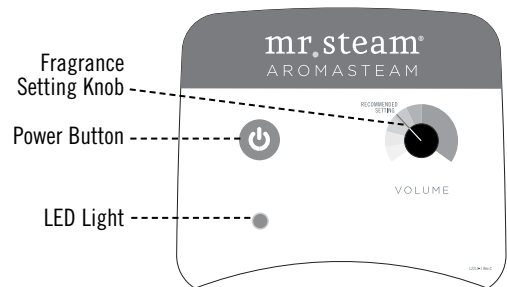
7. Insert the fragrance container with the label facing outward so it is visible through the caddy window (Diagram 1). The label contains important information.
8. Always keep the container in the caddy while it is connected to the dispensing pump.

OPERATION

Powering Up the Pump

IMPORTANT NOTE: This step only needs to be performed during installation.

1. The pump needs to be turned on before it can be used
2. Press and hold the power button for 3 seconds.
The LED will turn on solid red.



PUMP LED LIGHT:	KEY:
Flashing Green LED	Pump is OFF. Press and hold the power button for 3 seconds to turn the pump on.
Solid Red	Pump is ON, but has not been activated. To activate the pump, turn your steam generator ON from the in-shower control and press the aroma button.
Solid Green LED	Pump is on and has been activated from the in-shower control. The LED will turn off each time the pump injects fragrance into the steam line.

HOMEOWNER SECTION

OPERATION (cont.)

Adjusting the Amount of Fragrance Delivery

The AromaSteam system has been factory set to deliver a suitable amount of fragrance into a typical sized steam room. Do not exceed the maximum setting. Please contact the MrSteam Technical Service Department before changing this setting.

Contact the MrSteam Technical Service Dept. at (800) 76-STEAM (East coast) or (800) 72-STEAM (West Coast) for assistance or additional information.

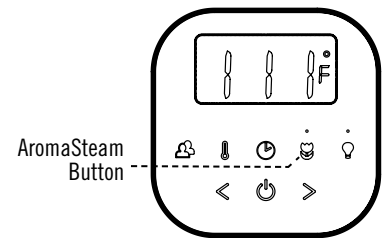
!WARNING Increasing the settings may introduce excessive concentration of fragrance into the steam room, resulting in a health hazard.



Activating the Pump from a Control

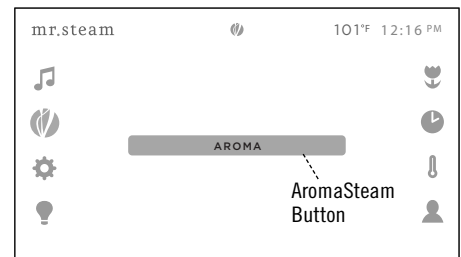
Air Tempo® Control

1. Press the ON/OFF button to turn the steam generator ON.
2. Press the AROMA button, AROMA will be displayed on the screen when AromaSteam is on.
3. Aroma fragrance will automatically be pumped into the steam line at preset intervals.



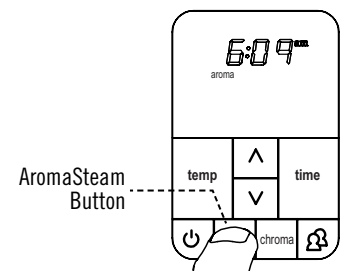
iSteam® Control

1. Press the START button to turn the steam generator on.
2. In the dashboard press the AROMA button, the button will be highlighted when AromaSteam Pump is on.
3. Aroma fragrance will automatically be pumped into the steam line at preset intervals.



iTempoPlus® Control

1. Press the ON/OFF button to turn the steam generator ON.
2. Press the AROMA button, AROMA will be displayed on the screen when AromaSteam is on.
3. Aroma fragrance will automatically be pumped into the steam line at preset intervals.



WARRANTY: To view or download the MrSteam AromaSteam System Warranty and register your product go to: blog.mrsteam.com/wr

Products, information and specifications are subject to change without notice.

For more information please call Sales & Support at

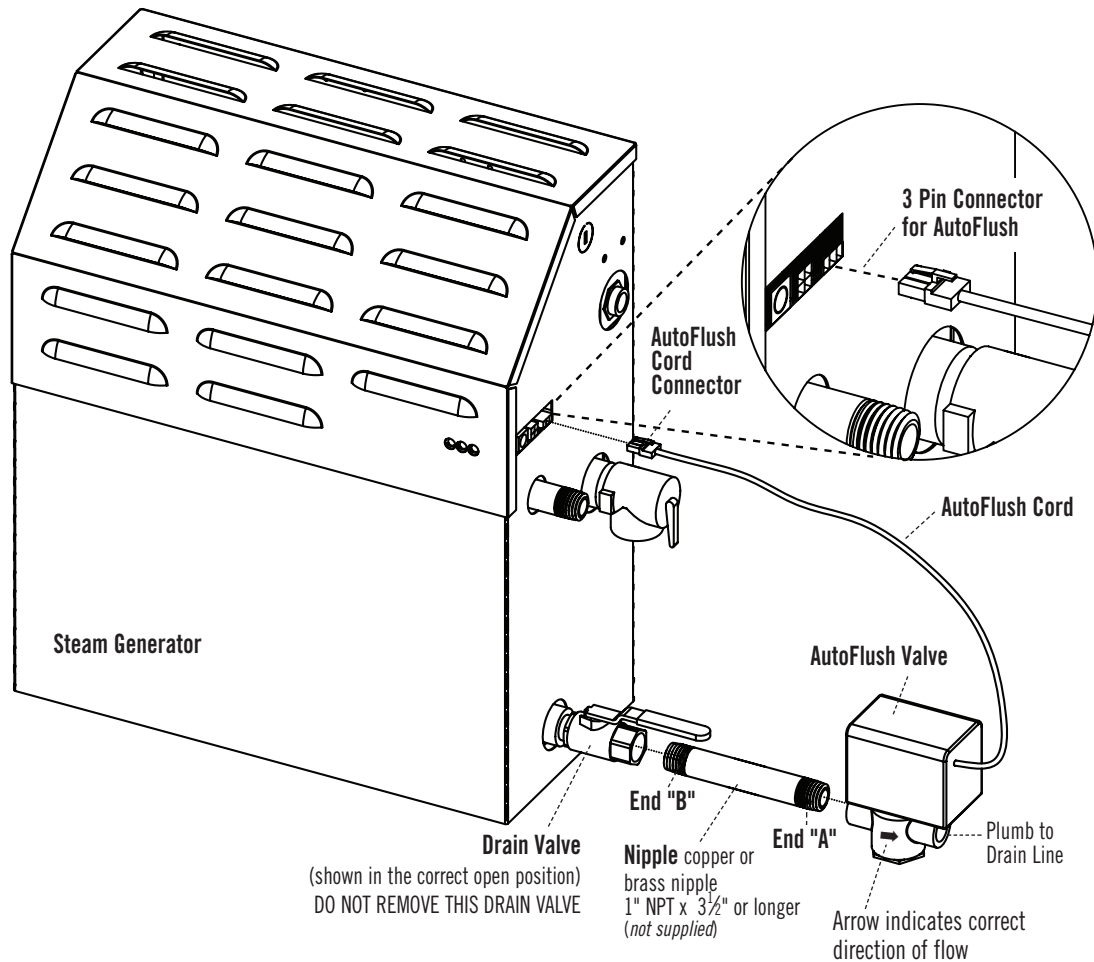
1.800.76.STEAM (East Coast) **1.800.72.STEAM** (West Coast) www.mrsteam.com

INSTALLATION INSTRUCTIONS

BOX CONTENTS:

- AutoFlush System Valve with Cord
- Installation Instructions.

ASSEMBLY OF OPTIONAL AUTOFLUSH® SYSTEM



OPERATION

The optional AutoFlush System feature automatically drains the MrSteam system following each use. A time delay allows the water to cool down (about two hours) before it drains resulting in a safe and gentle operation.

INSTALLATION INSTRUCTIONS

1. Plumbing to be performed by a qualified plumber and shall be in accordance with applicable National and Local codes. Unit drains by gravity. A drain line that is lower than the AutoFlush assembly must be available. The AutoFlush System valve outlet is threaded 1/2" NPT. Check plumbing code for receptor, trap and vent requirements.
2. Use copper or brass nipple 1/2" NPT x 3 1/2" (90mm) or longer (*not supplied*) to connect AutoFlush valve (end "B") to the Drain Valve (valve end "A" and "B" are indicated on bottom of AutoFlush Valve)

CAUTION DO NOT REMOVE THE DRAIN VALVE

Removal may cause equipment and property damage. If there is not enough room for the valve, an elbow and a short nipple (*not provided*) can be added.

3. Open Drain Valve (handle must be aligned with brass nipple).
4. Connect the AutoFlush System cord connector to the three pin connector as shown.

WARNING Do not drain into a steam enclosure or any location where accidental contact with drain water may occur. In the event of a power failure the AutoFlush System valve will open and may discharge boiling water.

SWEAT FITTINGS

When using sweat fittings use only tin base solder with a melting point below 600 degrees F. Do not overheat. Ends of water supply tubing must be thoroughly clean for a minimum distance of 1" from ends. Do not remove valve cover.

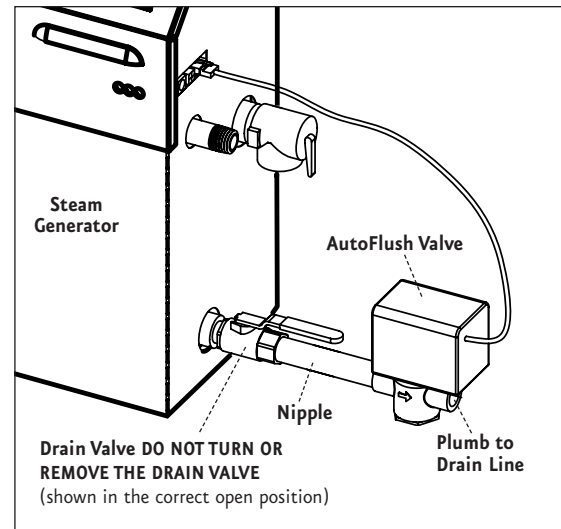
TO CHECK OPERATION

1. Turn on MrSteam with the control and allow tank to fill with water. (see MrSteam Instruction Manual)
2. Turn off MrSteam with the control. Water should stay in tank.
3. Turn off power at the panel box. Water should discharge from tank.
4. Turn on power at panel box.
5. Repeat

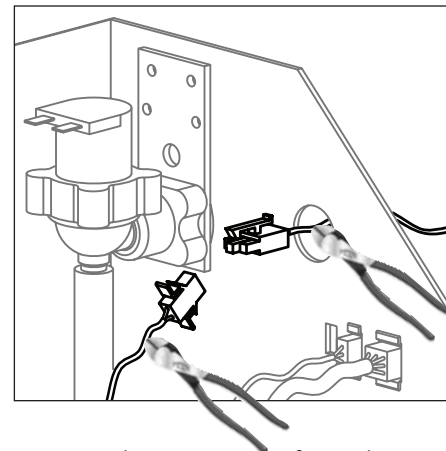
CAUTION PROVIDE DRAIN PLUMBING ACCORDING TO LOCAL CODES. PLUMB AS REQUIRED FOR AUTOFLUSH SYSTEM.

IMPORTANT NOTE: Contact the MrSteam Technical Service Dept. for installation of any equipment not shown in these instructions. East Coast: 800-767-8326; West Coast: 800-727-8326

AutoFlush® Shown Fully Assembled



Installing AutoFlush on Older Model Generators SN:899,999 and below



1. Remove the connector from the "C" location in the jacket. Cut off the connector where shown and strip back the wires approx 0.375"
2. Cut the connector off the AutoFlush cable where shown and strip back the wires approx 0.375"
3. Remove the knockout in the side of the generator and install a bushing to prevent chafing.
4. Route the wires from the AutoFlush through the knockouts and connect the white wire from the AutoFlush to the white wire from the circuit board using a wire nut. Repeat for the black wire.

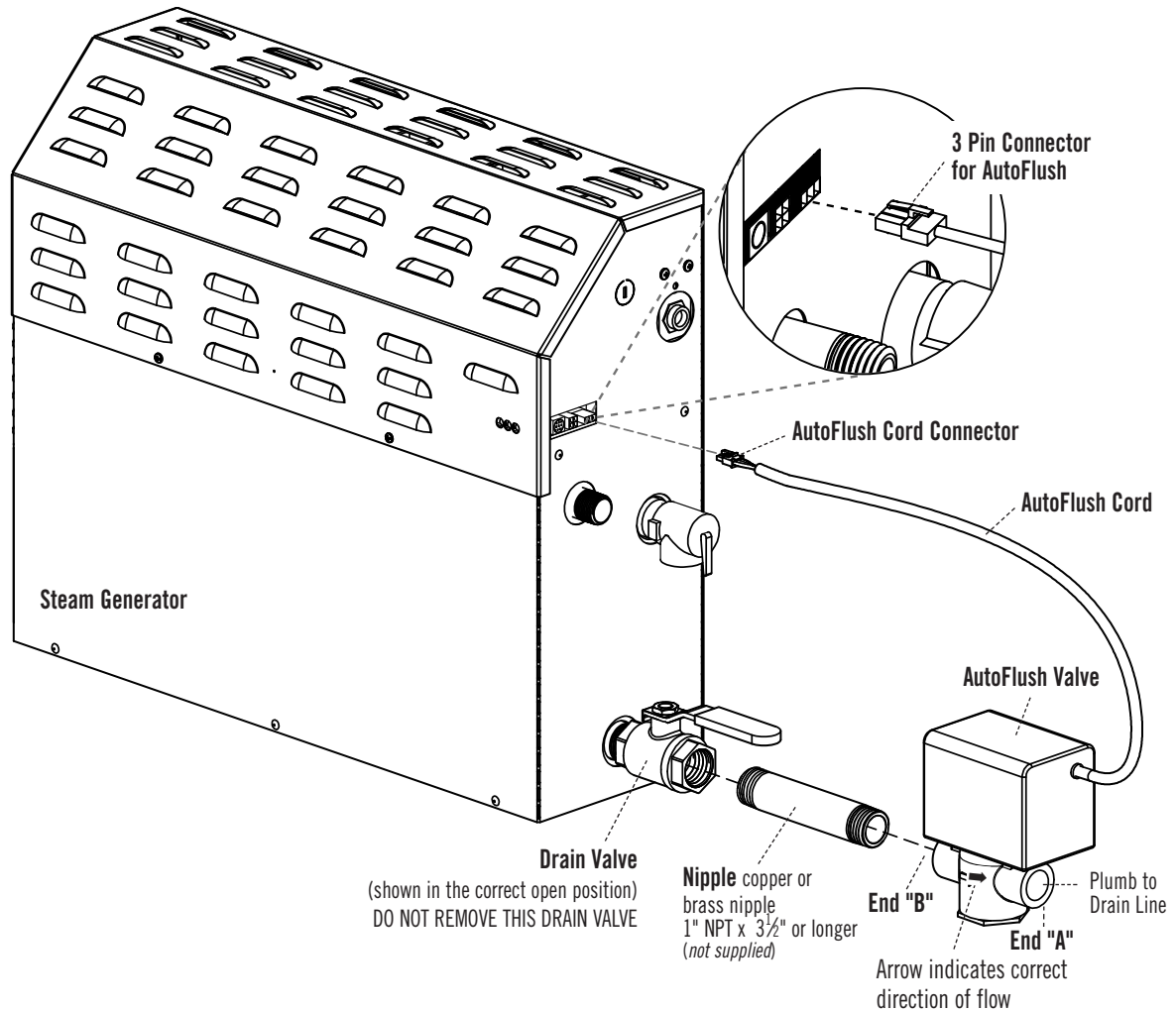
WARRANTY: To view or download the MrSteam Controls & Accessories Warranty and register your product go to: blog.mrsteam.com/wr

INSTALLATION INSTRUCTIONS

BOX CONTENTS:

- AutoFlush System Valve with Cord
- Installation Instructions.

ASSEMBLY OF OPTIONAL AUTOFLUSH® SYSTEM



OPERATION

The optional AutoFlush System feature automatically drains the MrSteam system following each use. A time delay allows the water to cool down (about two hours) before it drains resulting in a safe and gentle operation.

INSTALLATION INSTRUCTIONS

1. Plumbing to be performed by a qualified plumber and shall be in accordance with applicable national and local codes. Unit drains by gravity. A drain line that is lower than the AutoFlush assembly must be available. The AutoFlush System valve outlet is threaded 1" NPT. Check plumbing code for receptor, trap and vent requirements.
2. Use copper or brass nipple 1" NPT x 3½" or longer (*not supplied*) to connect AutoFlush valve (end "B") to the Drain Valve (valve end "A" and "B" are indicated on bottom of AutoFlush Valve)

CAUTION DO NOT REMOVE THE DRAIN VALVE

Removal may cause equipment and property damage. If there is not enough room for the valve, an elbow and a short nipple (*not provided*) can be added.

3. Open Drain Valve (handle must be aligned with brass nipple).
4. Connect the AutoFlush System cord connector to the three pin connector as shown.

WARNING Do not drain into a steam enclosure or any location where accidental contact with drain water may occur. In the event of a power failure the AutoFlush System valve will open and may discharge boiling water.

SWEAT FITTINGS

When using sweat fittings use only tin base solder with a melting point below 600 degrees F. Do not overheat. Ends of water supply tubing must be thoroughly clean for a minimum distance of 1" from ends. Do not remove valve cover.

TO CHECK OPERATION

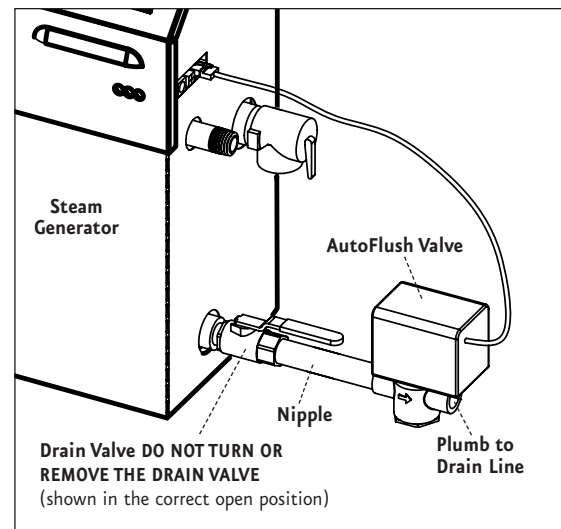
1. Turn on MrSteam with the control and allow tank to fill with water. (see MrSteam Control Instruction Manual)
2. Turn off MrSteam with the control. Water should stay in tank.
3. Turn off power at the panel box. Water should discharge from tank.
4. Turn on power at panel box.
5. Repeat

CAUTION PROVIDE DRAIN PLUMBING ACCORDING TO LOCAL CODES. PLUMB AS REQUIRED FOR AUTOFLUSH SYSTEM.

IMPORTANT NOTE: Contact the MrSteam Technical Service Department for installation of any equipment not shown in these instructions. East Coast: (800) 767-8326; West Coast: (800) 727-8326

WARRANTY: To view or download the MrSteam Controls & Accessories Warranty and register your product go to: blog.mrsteam.com/wr

AutoFlush® Shown Fully Assembled



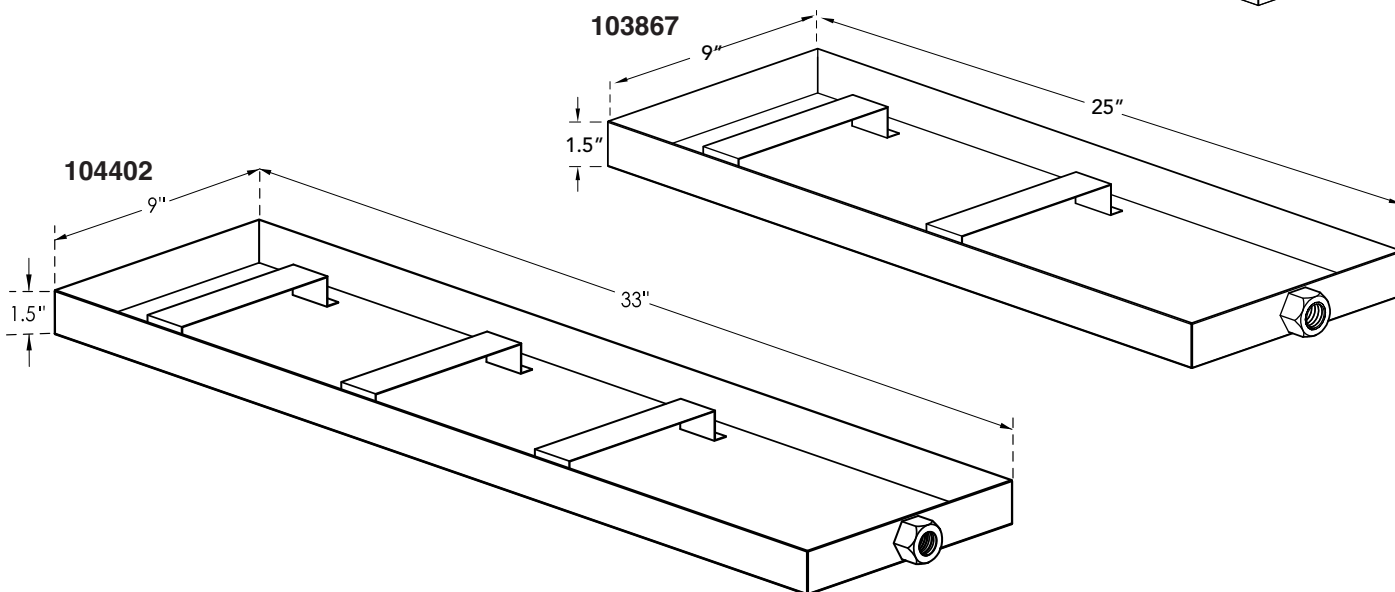
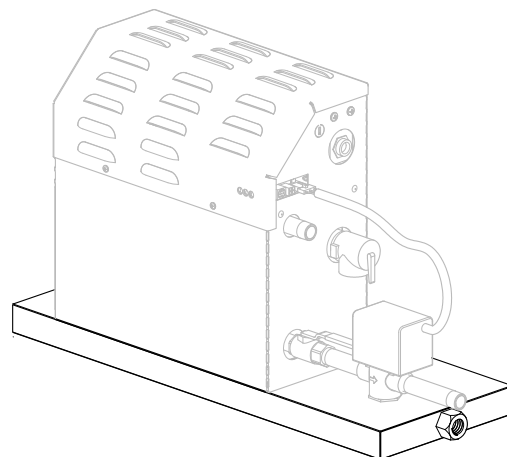
Condensation Pan

103867 & 104402

Mr.Steam strongly recommends the use of a condensation pan in the unlikely event of a plumbing leak.

Locate the condensation pan on a solid level surface and place the steam generator inside the condensation pan. Insure the steam generator is level.

All plumbing shall be performed by a qualified licensed plumber and in accordance with applicable national and local codes. Check local plumbing code for receptor, trap and vent requirements. Condensation pans drain by gravity. The condensation pan is equipped with an integral 3/4" NPT fitting.



NOTE: For MX4E, MX5E and MX6E use model 104402

FOR ILLUSTRATIVE PURPOSES ONLY. IMPORTANT NOTE: FOR SAFE AND TROUBLE FREE INSTALLATION visit mrsteam.com before installation to download the Installation, Operation and Maintenance Manual or refer to the manual provided with the unit.

MODEL	PROJECT INFORMATION	
<input type="checkbox"/> 103867	Location:	Contractor:
<input type="checkbox"/> 104402	Architect:	Submitted By:
	Engineer:	Date:
Notes:		