



Installation, Operation and Maintenance Manual

iButler/iButler2/iButlerX

iSteam3 Control	PUR100514	07-17
AromaSteam SteamHead	PUR100421	10-15
Linear SteamHead	PUR100561-1	02-19
SteaLinx Mobile App	PUR100518	07-19
MS / Super AutoFlush	PUR100200E	09-19
MX AutoFlush	PUR100532	02-19
Condensation Pan	TS0012	02-19



Installation, Operation & Maintenance Manual

iSteam[®] 3 Control

mr.steam[®] | Feel Good Inc.

READ ME FIRST!

!WARNING As you follow these instructions, you will notice warning and caution symbols. This blocked information is important for the safe and efficient installation and operation of this generator. These are types of potential hazards that may occur during installation and operation:

!WARNING Indicates a potentially hazardous situation, which, if not avoided, could result in death or serious injury.

!CAUTION Indicates a potentially hazardous situation, which, if not avoided may result in minor or moderate injury or product damage.

IMPORTANT NOTE: This highlights information that is especially relevant to a problem-free installation.

All information in these instructions is based on the latest product information available at the time of publication. Sussman-Automatic Corporation reserves the right to make changes at any time without notice.

When installing and using this electrical equipment, basic safety precautions should always be followed, including the following:

IMPORTANT SAFETY INSTRUCTIONS

1. READ AND FOLLOW ALL INSTRUCTIONS

2. **!WARNING** Do not permit children under the age of 16 to use this steambath.
3. **!WARNING** Steam is hot and can cause injury or death if improperly used. Steam rooms contain steam and elevated temperatures. Please read and observe all warnings in this manual before installing or using a steam room.
4. **!WARNING** To reduce the risk of injury:
 - A. The wet surfaces of steam enclosures may be slippery. Use care when entering or leaving.
 - B. The steam head is hot. Do not touch the steamhead and avoid the steam near the steamhead.
 - C. Prolonged use of the steam system can raise excessively the internal human body temperature and impair the body's ability to regulate its internal temperature (hyperthermia). Limit your use of steam to 10-15 minutes until you are certain of your body's reaction.
 - D. Excessive temperatures have a high potential for causing fetal damage during the early months of pregnancy. Pregnancy or possibly pregnant women should consult a physician regarding correct exposure.
 - E. Obese persons and persons with a history of heart disease, low or high blood pressure, circulatory system problems, or diabetes should consult a physician before using a steambath.
 - F. Persons using medication should consult a physician before using a steambath since some medication may induce drowsiness while other medications may affect heart rate, blood pressure and circulation.

SAVE THESE INSTRUCTIONS

HYPERTHERMIA occurs when the internal temperature of the body reaches a level several degrees above the normal body temperature of 98.6° F. The symptoms of hyperthermia include an increase in the internal temperature of the body, dizziness, lethargy, drowsiness, and fainting. The effects of hyperthermia include:

- a) Failure to perceive heat;
- b) Failure to recognize the need to exit the steambath;
- c) Unawareness of impending risk;
- d) Fetal damage in pregnant women;
- e) Physical inability to exit the steambath; and
- f) Unconsciousness.

!WARNING

The use of alcohol, drugs, or medication can greatly increase the risk of hyperthermia.

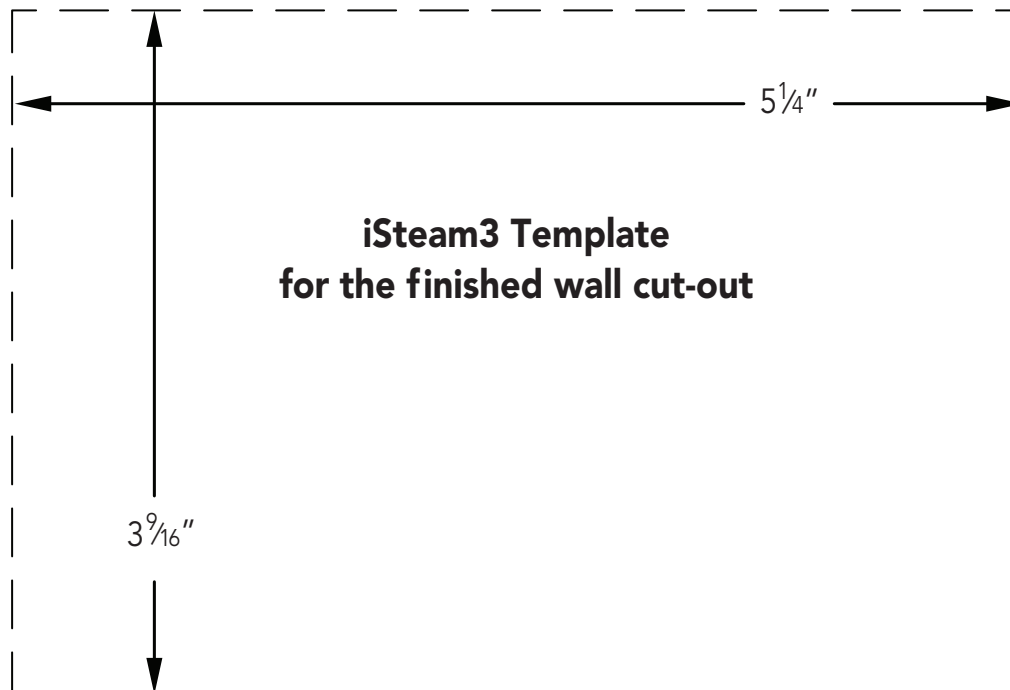


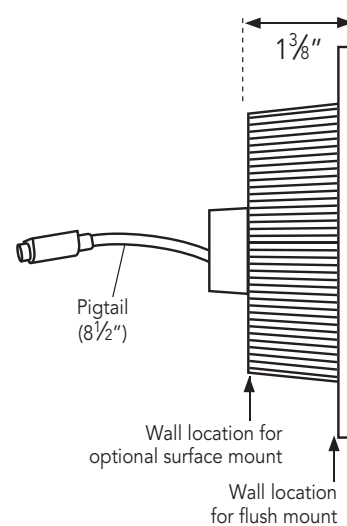
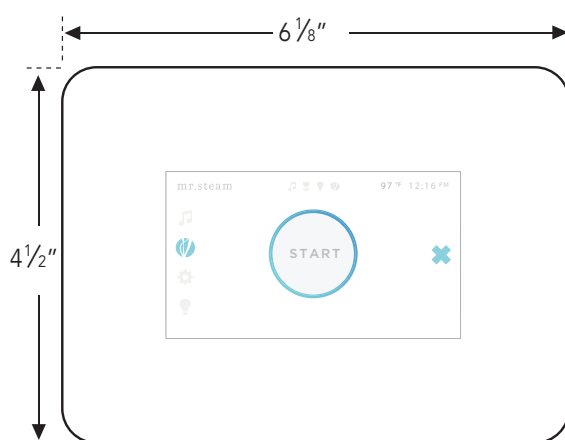
Table of Contents:

Important Safety Instructions.....	2
INSTALLER INFORMATION	
Installation Template	2
Box Content	3
Dimensional Information	3
Before Installing.....	4
Locating the Control.....	5
Installation with Rough-In Box.....	5-6
Installation without Rough-In Box	6
iSteam®3 Installation	7-8
USER/HOMEOWNER INFORMATION	
Operating Instructions	
Stand-By, Start, Dashboard, Set Timer.....	9
Set Temperature, User Settings	10
ChromaSteam®.....	10
AudioSteam, AromaSteam	11
Optional Accessories	11
Settings: System Setting, Date and Time	12
AutoStart, Passcode, About	13
System Log	13
Care Tips, Safety & Operating Info	14
Warranty	14

Box Contents:

- iSteam®3 Control
- Control Cable (30 ft.)
- Steamhead
- Tube of Silicone Sealant
- Owner's Manual
- Rough-In Box

Dimensional Information



Before Installing

!WARNING To avoid unintentional steambath operation, do not locate the control where other controls, accessories, shower heads, valves, body sprays or similar within the shower could cause confusion or interfere with the MrSteam control's intended use and function.

!CAUTION

- To prevent possible injury Do Not use the iSteam®3 control without reading and understanding the MrSteam steam generator Installation and Operation Manual.
- A peel and stick warning sticker is provided in the MrSteam steam generator Installation, Operation and Maintenance Manual. This manual is provided with every steam generator. The warning sticker must be read and permanently affixed in a conspicuous location near the steam room. Failure to read and affix this warning sticker in a conspicuous location may result in serious injury or death. Please call MrSteam at 800 767-8326 for a free replacement or if you have any questions regarding the warning sticker.



Not actual size

- If an iSteam3 control is installed outside the steam room a Remote Temperature Probe (PN MST5) must be installed inside the steam room per installation instructions supplied with the Remote Temperature Probe. Failure to install according to instructions will result in an inoperative control and overheating of the steam room.

!CAUTION Do not route iSteam3 control wiring inside conduit together with power lines or close to hot water or steam piping. Doing so may result in an inoperative or hazardous installation. Do not alter or modify any Mr. Steam products including the steam generator or iSteam3 control. Doing so may result in an inoperative or hazardous installation and will void the warranty.

IMPORTANT NOTES:

- The iSteam3 Control is designed to be flush mounted. However, the control may be surface mounted when conditions permit. Consult a MrSteam Customer Service or Technical Service representative to determine if the iSteam3 control can be surface mounted.
- Turn power to the steam generator OFF before connecting the control to the generator. Failure to turn the power off will result in an inoperable control.
- Do not operate the iSteam3 control with other than a MrSteam iSteam3 compatible steam generator. MrSteam residential steam generators with serial numbers lower than 1174000, or any other brand of steam generator are not to be operated with iSteam3 controls. Doing so may result in an inoperative installation. If your generator's serial number is lower than 1174000 contact MrSteam Technical Service for upgrade options and components to enable your steam generator to function with iSteam3.
- This document contains important safety, operation and maintenance information. Leave this document with the homeowner. Do not discard this document.
- Discontinue use of the steam generator or control if the steam generator is damaged or otherwise not functioning properly. Doing so may result in an inoperative or hazardous installation
- Refer to the Steambath Generator Installation, Operation and Maintenance Manual for locating and installing the steamhead.

!WARNING Do Not alter or modify any MrSteam products. Doing so may result in an inoperative or hazardous installation and will void the warranty.

Locating the Control

Determine the desired installation location of the control. The iSteam®3 controls are designed to be installed inside or outside the steam room as a matter of personal preference. If the control is installed inside the steam room:

- Locate the control 4-5 feet above the floor near the bather seating area.
- The control features an integral temperature sensor. Locate the control in a location representative of the desired steam bathing temperatures. Do not locate the control above or near the steam head or direct steam emissions.
- Locate the control on a vertical wall.
- The control cable is 30 feet. Insure that the control and steam generator are located accordingly.

IMPORTANT NOTES:

- If required, contact MrSteam to purchase an optional 60' iSteam3 control cable part number 104117-60.
- If the control is installed outside the steam room a Remote Temperature Probe Part Number MSTS must be installed inside the steam room. Refer to the MSTS installation manual before installing the control.
- Insure MrSteam steam generator is iSteam3 compatible and has a serial number 1174000 or higher.

Installation with Optional Rough-In Box

A rough-in box is supplied with iSteam3 for new construction. The rough-in box will allow precise location of the iSteam3 control and provide a secure and easily identifiable place for the cable while the steam room is being constructed.

STEP 1 Take the rough-in box out of the package. Remove the two screws (1a) and place them in the top and bottom wings of the rough-in box (1b).

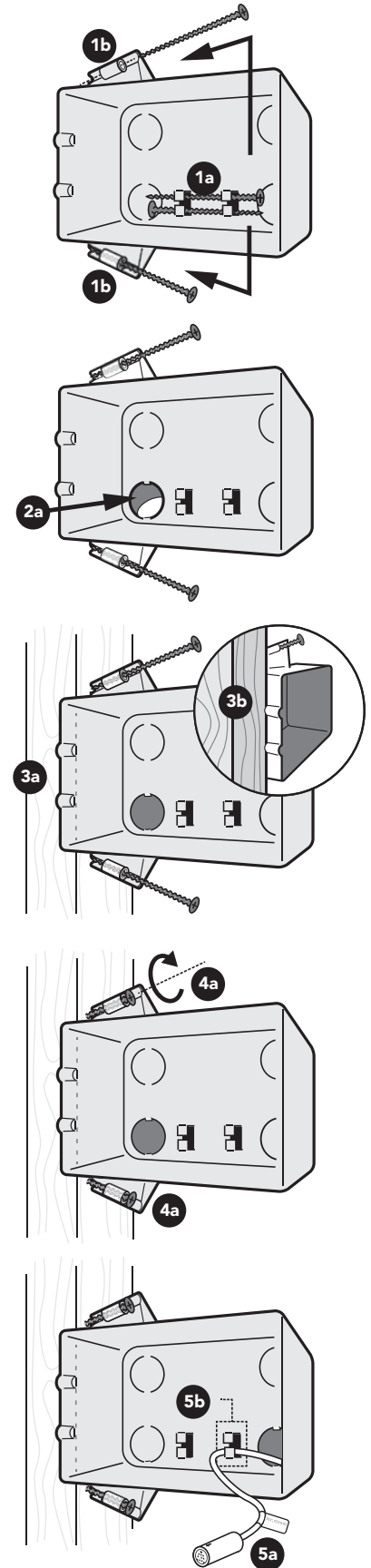
STEP 2 Select a KNOCK-OUT (2a) to route the control cable into the box.

STEP 3 Line up the two TABS (3a) on the right side of the box against a stud. These TABS help locate the box to sit PROUD of the stud (3b).

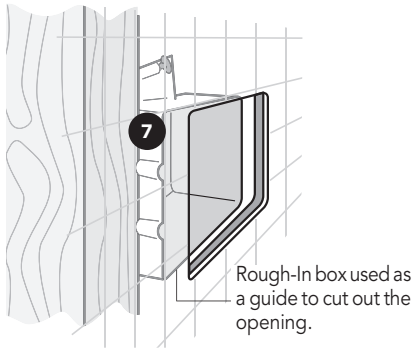
STEP 4 SCREW (4a) the two supplied screws into the stud.

STEP 5 Route the CONTROL CABLE (5a) through the back of the rough-in box and clip it under one of the TABS (5b) that previously held the screws.

IMPORTANT NOTE: The control cable should be run in a dedicated 1" conduit to facilitate installation and service.



Installation with Optional Rough-In Box (cont.)



IMPORTANT NOTE: Be careful not to strain, staple, pinch or otherwise damage the cables. Route cables as required to permit replacement. Do not route cables inside conduit together with power lines or close to hot water or steam piping.

STEP 6

Use the rough-in box as a guide to cut out the (3⁹/₁₆" x 5¹/₄") opening in the wall.

Finish the iSteam®3 installation using the instructions on page 7.

Installation without Rough-In Box

STEP 1

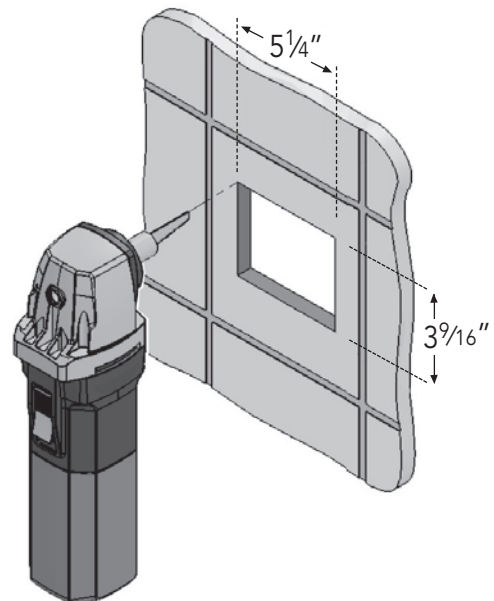
Make a 3⁹/₁₆" x 5¹/₄" cut-out in the desired location using the template provided on page 2 of this manual.

STEP 2

Route the control cable from the wall cutout to the steam generator. Connect one end of the cable to the steam generator connector. The two ends of the control cable are the same.

IMPORTANT NOTE: Be careful not to strain, staple, pinch or otherwise damage the control cable. Route cable as required to permit replacement. Do not route cable inside conduit together with power lines or close to hot water or steam piping.

Finish the iSteam3 installation using the instructions on page 7.



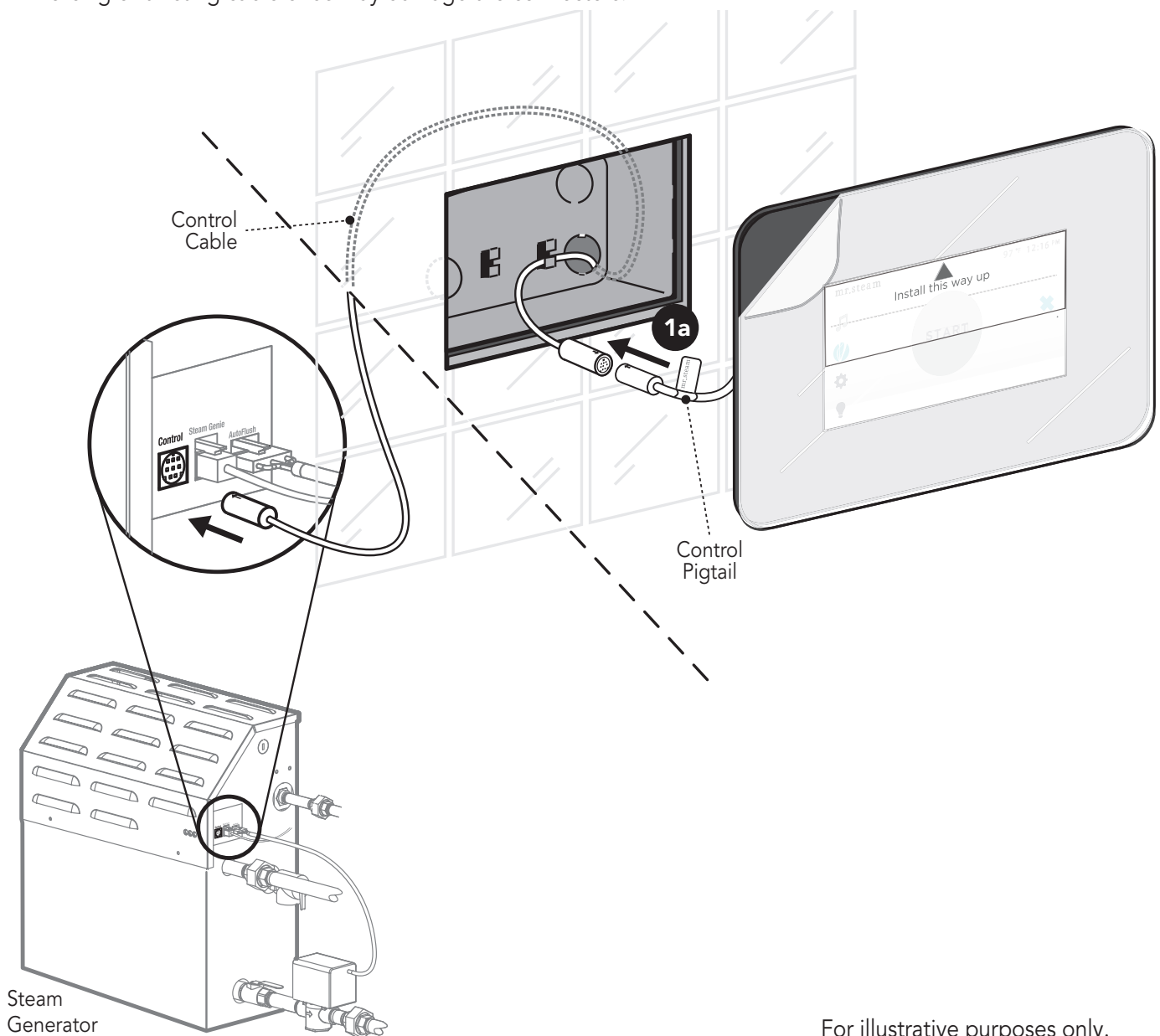
Installation Instructions for iSteam®3

STEP 1

PLUG the 30' control cable into the iSteam3 control pigtail (1a).

Turn the generator on and test the control to verify correct connection. With proper function, proceed to Step 2.

! CAUTION Do not force or twist cable ends together. Forcing or twisting cable ends may damage the connectors.



For illustrative purposes only.

Installation Instructions for iSteam®3 (cont.)

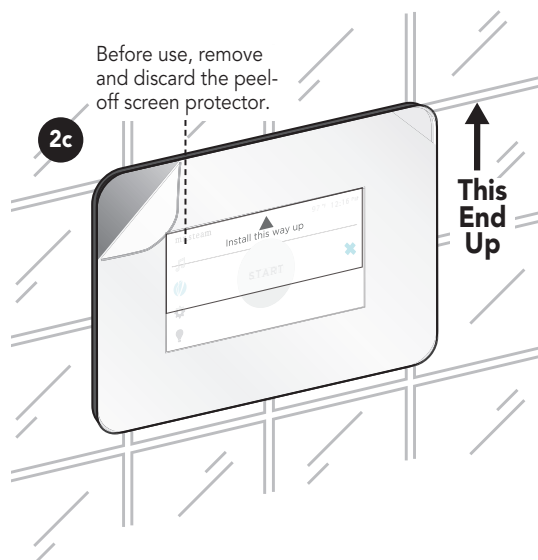
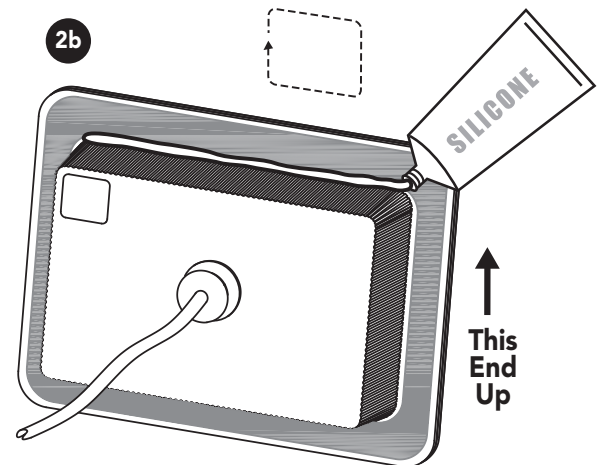
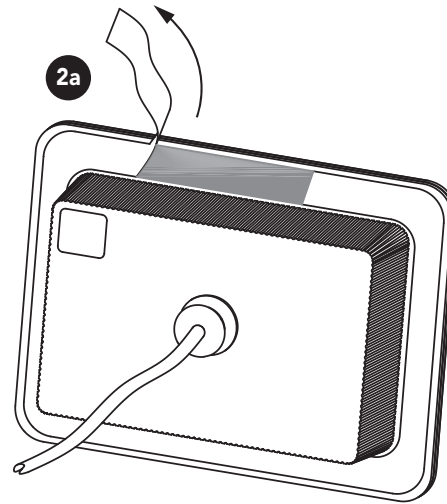
STEP 2

Peel the double stick adhesive off the back of the iSteam3 control (2a). Apply a bead of silicone around the rear of the iSteam3 control to create a moisture seal (2b). Carefully feed the cables into the rough-in box and secure the control to the wall. Care must be taken to not pinch the cables. Ensure the control is level.

IMPORTANT NOTE: The control must be installed with the arrow on the Peel-Off screen protector facing up. If the Peel-Off screen protector has been removed see the drawing in Step 2b for the proper orientation. The control display can be flipped 180 degrees in the settings menu if installed upside down.

NOTE: The silicone supplied by MrSteam can be used to meet a variety of sealing and gasketing. It cures to silicone rubber and adheres to glass, wood, metal, porcelain, ceramic tile, painted surfaces, many plastics and rubber. Surfaces must be clean and dry. Apply thin layer of product. Fit together and support if necessary. Allow excess material to cure, then trim with a sharp blade. Sealant "skins" in 5 minutes, dries to touch in 1 hour. Fully cures and bonds in 24 hrs.

IMPORTANT NOTE: Do not apply excessive amounts of silicone. Do not apply silicone to any other parts of the control including the adhesive gasket. Insure the mounting surface is clean and dry as required for good adhesion. Hold the control with the arrow on the screen protector facing up and press the control against the wall until the adhesive sticks and holds firmly. Control may have to be supported or secured until the silicone has cured for 24 hours.



READ ME FIRST!

! WARNING As you follow these instructions, you will notice warning and caution symbols. This blocked information is important for the safe and efficient installation and operation of this generator. These are types of potential hazards that may occur during installation and operation:

! WARNING Indicates a potentially hazardous situation, which, if not avoided, could result in death or serious injury.

! CAUTION Indicates a potentially hazardous situation, which, if not avoided may result in minor or moderate injury or product damage.

IMPORTANT NOTE: This highlights information that is especially relevant to a problem-free installation.

All information in these instructions is based on the latest product information available at the time of publication. Sussman-Automatic Corporation reserves the right to make changes at any time without notice.

When installing and using this electrical equipment, basic safety precautions should always be followed, including the following:

IMPORTANT SAFETY INSTRUCTIONS

1. READ AND FOLLOW ALL INSTRUCTIONS

2. **! WARNING** Do not permit children under the age of 16 to use this steambath.
3. **! WARNING** Steam is hot and can cause injury or death if improperly used. Steam rooms contain steam and elevated temperatures. Please read and observe all warnings in this manual before installing or using a steam room.
4. **! WARNING** To reduce the risk of injury:
 - A. The wet surfaces of steam enclosures may be slippery. Use care when entering or leaving.
 - B. The steam head is hot. Do not touch the steamhead and avoid the steam near the steamhead.
 - C. Prolonged use of the steam system can raise excessively the internal human body temperature and impair the body's ability to regulate its internal temperature (hyperthermia). Limit your use of steam to 10-15 minutes until you are certain of your body's reaction.
 - D. Excessive temperatures have a high potential for causing fetal damage during the early months of pregnancy. Pregnancy or possibly pregnant women should consult a physician regarding correct exposure.
 - E. Obese persons and persons with a history of heart disease, low or high blood pressure, circulatory system problems, or diabetes should consult a physician before using a steambath.
 - F. Persons using medication should consult a physician before using a steambath since some medication may induce drowsiness while other medications may affect heart rate, blood pressure and circulation.

SAVE THESE INSTRUCTIONS

HYPERTHERMIA occurs when the internal temperature of the body reaches a level several degrees above the normal body temperature of 98.6° F. The symptoms of hyperthermia include an increase in the internal temperature of the body, dizziness, lethargy, drowsiness, and fainting. The effects of hyperthermia include:

- a) Failure to perceive heat;
- b) Failure to recognize the need to exit the steambath;
- c) Unawareness of impending risk;
- d) Fetal damage in pregnant women;
- e) Physical inability to exit the steambath; and
- f) Unconsciousness.

! WARNING The use of alcohol, drugs, or medication can greatly increase the risk of hyperthermia.

! WARNING The peel and stick warning label located in the steam bath generator manual is an essential part of providing a safe environment for steam room users. The peel and stick warning label must be applied to the wall of the shower or steam enclosure, at a point that is visible to all users. Failure to install this sticker may result in serious injury or death.

The location where this owner's manual is kept shall be written in the space provided on the label using permanent ink.

For a replacement warning label contact MrSteam customer service at 1-800-76-STEAM or hello@mrsteam.com

 WARNING
REDUCE THE RISK OF OVERHEATING AND SCALDING
<ol style="list-style-type: none"> 1. EXIT IMMEDIATELY IF UNCOMFORTABLE, DIZZY OR SLEEPY. STAYING TOO LONG IN A HEATED AREA IS CAPABLE OF CAUSING OVERHEATING. 2. CHILDREN UNDER THE AGE OF 16 SHOULD NOT USE THE STEAM BATH. 3. CHECK WITH A DOCTOR BEFORE USE IF PREGNANT, DIABETIC, IN POOR HEALTH OR UNDER MEDICAL CARE. 4. BREATHING HEATED AIR IN CONJUNCTION WITH CONSUMPTION OF ALCOHOL, DRUGS, OR MEDICATION IS CAPABLE OF CAUSING UNCONSCIOUSNESS. 5. DO NOT CONTACT STEAM HEAD OR STEAM AT THE STEAM HEAD.
REDUCE THE RISK OF SLIPPING AND FALL INJURY
<ol style="list-style-type: none"> 1. USE CARE WHEN ENTERING OR EXITING THE STEAM ROOM. FLOOR MAY BE SLIPPERY
<p>NOTE: FOR ADDITIONAL SAFETY CONSIDERATIONS SEE OWNER'S MANUAL WHICH IS KEPT: _____</p> <p>THE OWNER'S MANUAL CAN BE FOUND AT WWW.MRSTEAM.COM</p>
<p>USE OF STEAM ROOM IN CONJUNCTION WITH CONSUMPTION OF ALCOHOL CAN BE DANGEROUS AND CAN RESULT IN INJURY THROUGH SLIP AND FALL OR OTHERWISE.</p>
<p>mr,steam® 43-20 34th Street · Long Island City, NY 11101 1 800 76 STEAM · www.mrsteam.com PUR100378 7.14</p>

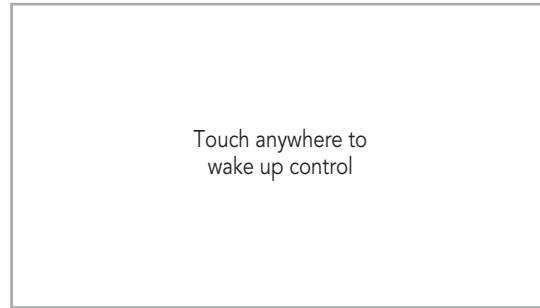
Not actual size.

Operating Instructions

!WARNING Set the steam bathing duration and temperature according to personal preference, however it is highly recommended to begin steam bathing at a low temperature setting to gauge comfort and safety levels. Set the duration at 10 minutes max. to gauge comfort and safety levels. This will allow the steam generator to heat up and begin producing steam.

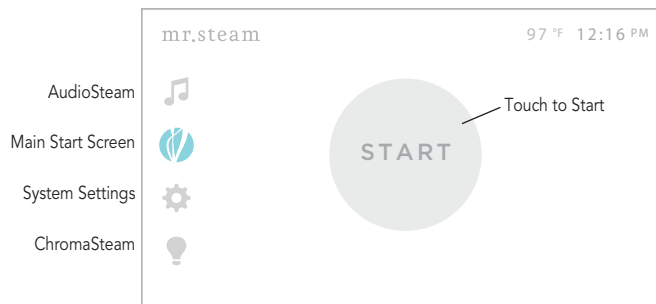
Stand-By Screen

Touch anywhere on the clock screen to enter the Start Screen.



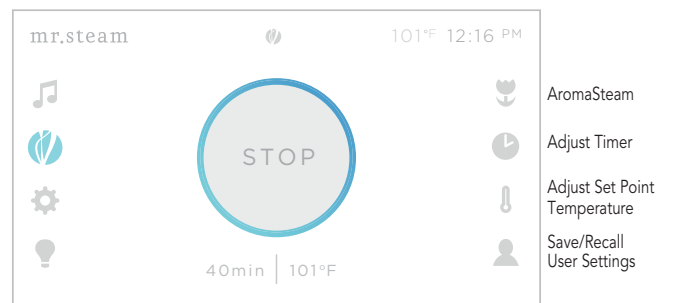
Start Screen

Press the START button to turn the steam generator ON and to display the Dashboard screen. Steam will begin to flow a few minutes after the START button is pressed. The time required for the steam room to reach steam bathing temperatures depends on the steam room construction and steam generator specifications.



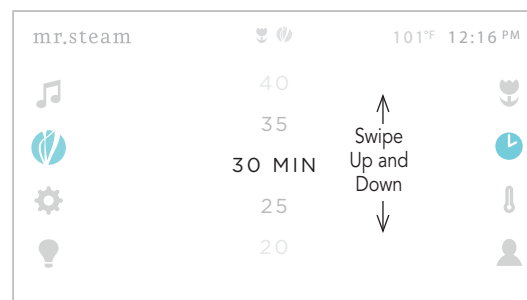
Dashboard Screen

The Dashboard displays key steam bathing features and optional accessories in one convenient screen. The key features include TIME, TEMPERATURE and USER settings. The optional accessories include the ChromaSteam®, AromaSteam and AudioSteam.



Set Timer Screen

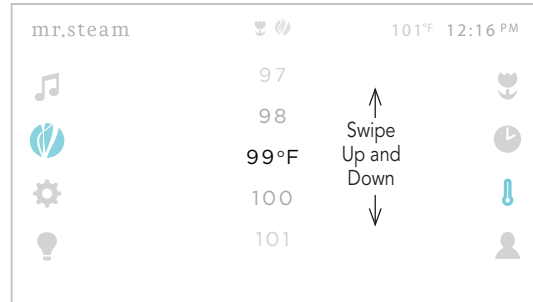
Press the TIMER button on the Dashboard to access the SET TIMER screen. Swipe your finger up/down to select the desired time (1-60 minutes). The control will turn off when the steambath session times out. Then the START screen will be displayed.



Set Temperature Screen

Press the TEMPERATURE button on the Dashboard to access the SET TEMPERATURE screen.

The control is preset and will display a temperature setting of 110°F (default setting). Swipe your finger up and down to adjust the desired temperature (80° - 120° F) in one degree increments.



User Settings

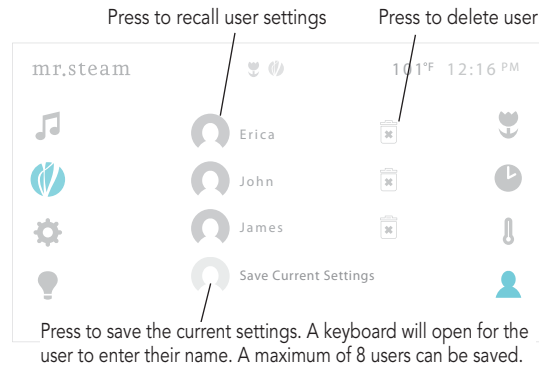
Press the SAVE/RECALL user settings button.

To save the settings press the SAVE CURRENT SETTINGS button. A keyboard will pop up where the user name can be entered.

To recall the user settings press the user's name.

To remove the settings press the delete icon.

A maximum of 8 user settings can be saved.

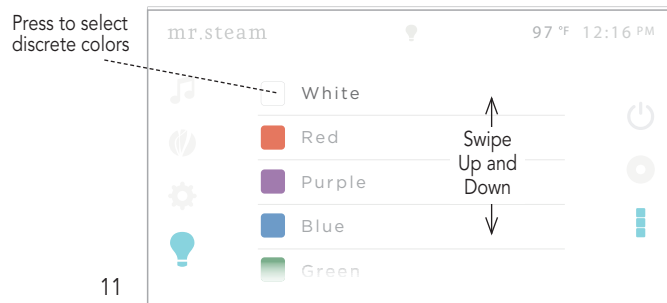
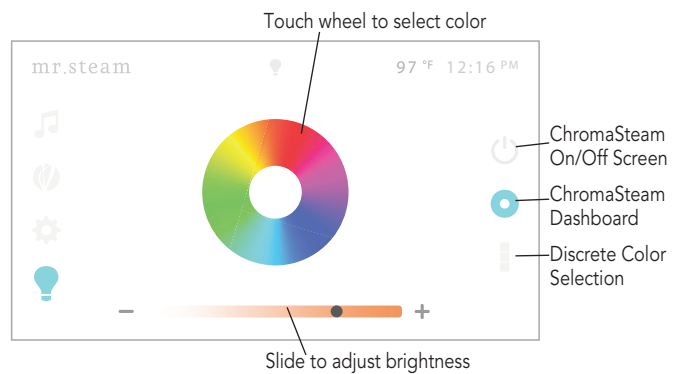
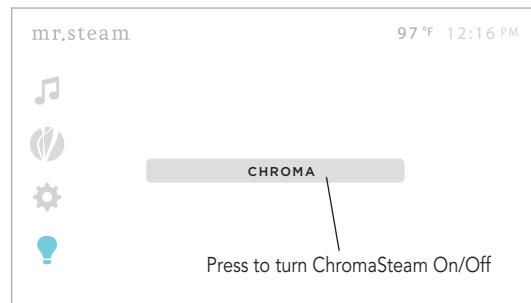


ChromaSteam® !


The ChromaSteam is an optional accessory that activates colored lights in the steam room. Press the CHROMA button to turn it ON. When ChromaSteam is on, press the CHROMA button to turn it off.

Press the ChromaSteam Dashboard button to bring up the color wheel. Touch anywhere on the wheel to select that color. To adjust the brightness, use the slider on the bottom of the ChromaSteam Dashboard. The slider will change color to show current color selection. (Note: Brightness cannot be adjusted in automatic color changing modes)





Press the Discrete Color Selection button to pick a preselected list of colors, have white light, or slow or fast changing color modes.



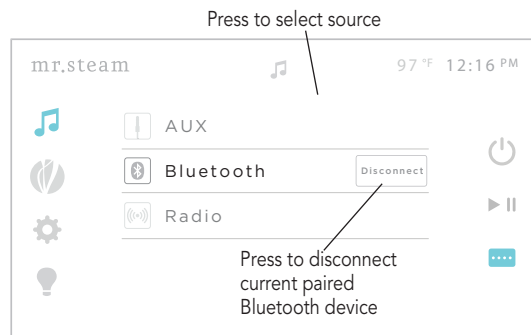
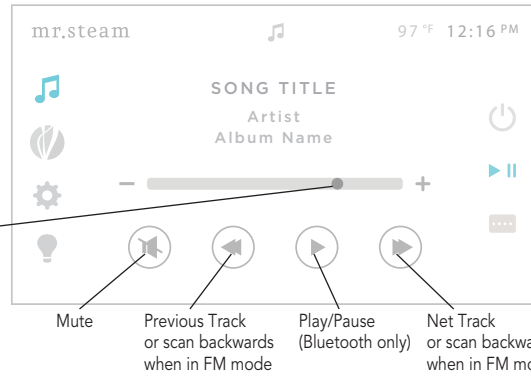
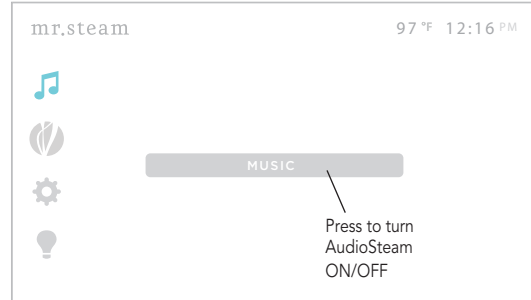
AudioSteam

Press the music icon  to access the AudioSteam screen.
 Press the MUSIC button to turn on AudioSteam.
 When AudioSteam is ON, pressing the MUSIC button will turn it OFF.

Press the AudioSteam Dashboard button to control the music. When paired to a Bluetooth® device, iSteam®3 will display the song title, artist and album name. If listening to the FM radio, the station number will be shown. This space is blank if playing music from a hard wired source.

-  Mute
-  Previous Track or scan backwards when in FM mode
-  Play/Pause (Bluetooth only)
-  Next Track or scan backwards when in FM mode

If you are using a Bluetooth audio source, it must be connected for functions to work. Please refer to the Bluetooth pairing instructions in the AudioSteam IOM.
 Press the Source button to select hardwired AUX source, Bluetooth source or the FM radio. To unpair the current connected Bluetooth device, press the DISCONNECT button.



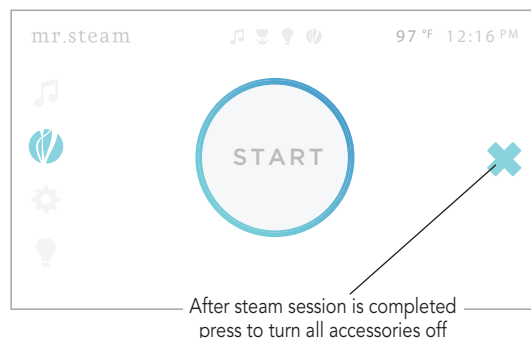
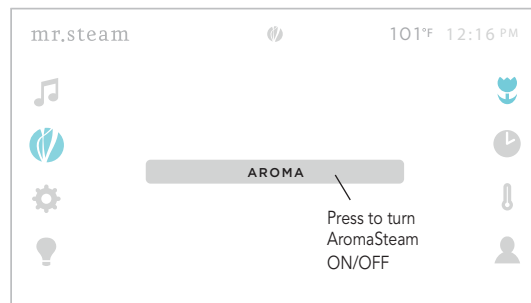
AromaSteam

The AromaSteam is optional accessory that automatically infuses aromatic oils into the steam flow. Press the AromaSteam icon to bring up the AromaSteam Dashboard. Press the AROMA button to turn it ON.

The AromaSteam turns OFF automatically when the steam generator stops.

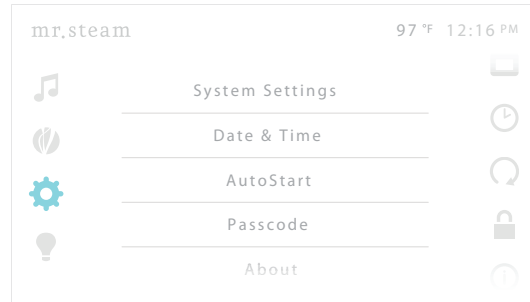
Press the AROMA button to turn it OFF during a steam session.

After the steam session has ended the AudioSteam and ChromaSteam® will remain ON. They can be turned OFF individually by navigating to each's power button, or both can be turned OFF by pressing the OFF icon that appears on the START screen.








Settings Screen

The Setting Screen allows access to less frequently used screens.

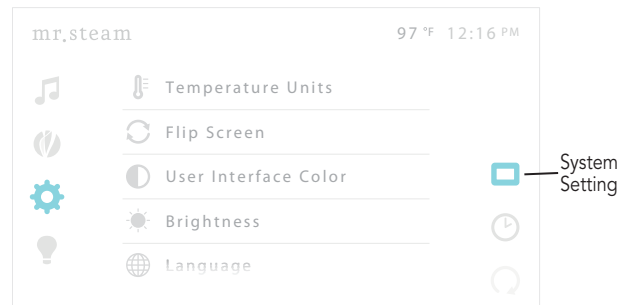


System Setting

Scroll through the System Settings list and select which to adjust.

-  Temperature Units. Adjust between °F and °C
-  Flip Screen. Rotates the screen 180° in case the control was installed upside down
-  User Interface Color: Toggle between a white and black background
-  Brightness: Adjust the screen brightness
-  Language: Change the language used in the user interface

Once the setting is changed, press the System Setting button in the menu on the right to exit



Date and Time

Scroll up and down to select the date and time. Once selected, press the Set Date and Time button in the menu on the right to exit



AutoStart

⚠️ WARNING AutoStart will automatically turn the steam generator on at your preset time. Activating the steam in an occupied room may subject persons to the hazards described in this manual. Only activate the steambath if the steam room door is closed. Activating or using the steambath with an open door may cause property damage or injury to persons outside of the steam bath.

The AutoStart feature can be used to turn on the steambath at a predetermined time. Select the day(s) of the week and the time of day you would like to turn the steam bath on.

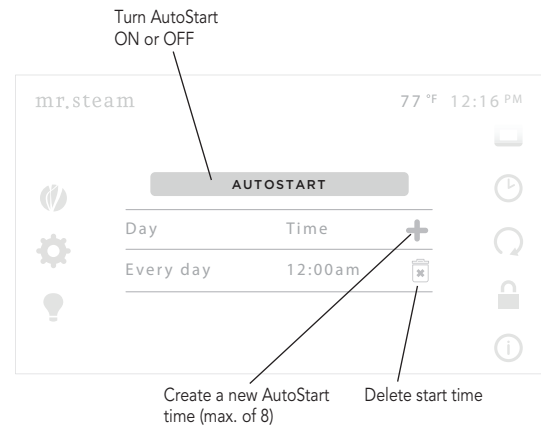
When AutoStart starts your steambath it will allow the steambath to run for only 10 minutes. To continue steam bathing press the continue button. If the continue button is pressed, AutoStart will remain active for the next scheduled start time.

To stop the steam bath press the STOP button.

If the STOP button or 10 minute time out turns the steam generator off, AutoStart will automatically be deactivated.

To create an AutoStart time, press the **+** icon. Select the start time to adjust the day and time for AutoStart. A maximum of 8 start times can be programmed. To delete a start time, press the trash can icon.

To turn AutoStart ON, press the AutoStart button above the start time list.



Passcode

The Passcode feature can help prevent unintentional use of the steambath. Please refer to the steam generator Installation, Operation and Maintenance manual before using the steambath. The Passcode feature cannot insure unintentional use of the steambath.

To turn the Passcode lock ON or OFF, press the lock icon.

Enter a 4 digit passcode using the keypad. Press the entire button to SAVE the passcode. The next time the iSteam3 control is turned on the user will be prompted to enter the passcode. Press the Back button to exit without storing the passcode lock.

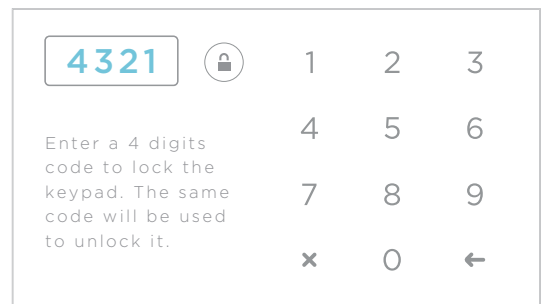
If you forget your passcode, power should be turned off at the circuit breaker. After 1 minute turn the breaker back on. The passcode lock will automatically be turned OFF.

About Screen

Press ABOUT to view the accessories connected to the steam generator.

System Log

Press SYSTEM LOG to view an error log created by the steam generator.



⚠️ WARNING To prevent injury and/or equipment damage all troubleshooting is to be performed by qualified licensed electrician or plumber. Contact MrSteam technical support at 1-800-727-8326 (East coast) or 1-800-727-8326 (West coast) in the event that iSteam®3 displays an error code.

Care Tips

Use only mild soap and water on a soft cloth to clean the control. Do not use abrasive cleansers.

Safety and Operating Information

!WARNING A peel and stick warning sticker is provided in the MrSteam steam generator Installation, Operation and Maintenance Manual. This manual is provided with every steam generator. The warning sticker must be read and permanently affixed in a conspicuous location near the steam room. Failure to read and affix this warning sticker in a conspicuous location may result in serious injury or death. Please call MrSteam at 800 767-8326 for a free replacement or if you have any questions regarding the warning sticker.

!WARNING Set the steam bathing duration and temperature according to personal preference, however it is highly recommended to begin steam bathing at a low temperature setting to gauge comfort and safety levels. Set the duration at 10 minutes max. to gauge comfort and safety levels. This will allow the steam generator to heat up and begin producing steam.

!CAUTION Do not use any iSteam®3 control without reading and understanding the MrSteam steam generator Installation and Operation Manual (PN 100472). Failure to read and understand these instructions may result in an inoperative or hazardous installation.

!CAUTION If an iSteam3 control is installed outside the steam room a Remote Temperature Probe (PN MST5) must be installed inside the steam room per installation instructions supplied with the Remote Temperature Probe. Failure to install according to instructions will result in an inoperative control and overheating of the steam room.

Warranty

To view or download the MrSteam Control Warranty and register your product go to: [**blog.mrsteam.com/wr**](http://blog.mrsteam.com/wr)

mr.steam[®]

Feel Good Inc.[®]

www.mrsteam.com

Products, information and specifications are subject to change without notice. For more information call Sales & Support at 1.800.76.STEAM (East Coast) or 1.800.72.STEAM (West Coast) for more information.

mr.steam[®] Sussman-Automatic Corporation[®] | hello@mrsteam.com | www.mrsteam.com
43-20 34th Street, Long Island City, NY 11101 | 9410 S. La Cienega Blvd. Inglewood CA 90301
1 800 767 8326 FAX: 718 472 3256 | 1 800 72 STEAM FAX: 310 216 2944

2017 © Sussman-Automatic Corporation | MrSteam and des., A Lifetime of Pleasure, AirTempo, AromaFlo, AudioWizard, AutoFlush, Butler Package, ChromaSteam, Clean Steam...Every Time, Club Therapy, Digital 1, Express Steam, Feel Good Inc., From Bathroom to Spa, iButler, iGenie, iSizing, iSteam, Making Wellness a Way of Life, Music Therapy, Spa Package, Steam on Demand, Steam@Home, iTempo, iTempo/Plus, SmartSizing, SteamStart, SteamStop, SteamTherapy, Sussman, Tala, Bath & Body Therapy, The Intelligent Steambath, Valet Package, Virtual Spa System, Voice Genie and Voice Wizard are registered trademarks of Sussman-Automatic Corporation.

PUR 100514 REV 7.17

INSTALLATION INSTRUCTIONS

IMPORTANT: See the Installation and Operation Manual provided with the steam generator for additional important steamhead & control installation and operation information.

Installation: Steam Head (1/2" NPT)

CAUTION INSTALLER: Because the steam head and direct steam emissions are very hot, locate the steam head where incidental contact by bather with the steam head or direct steam emission cannot occur.

STEP 1 Locate steam head 6-12 inches above floor, except for:

1. Tub/shower enclosures, install 6 inches above tub top edge.
2. For enclosures with acrylic or other non-heat resistant flooring install Acrylic Shield Part Number MS-103938.
3. To prevent door seals from deteriorating do not locate the steam head where direct steam emission would contact door seals.

STEP 2 Install steamhead with the oil well facing up as shown. Hand tightening is sufficient when teflon or equal pipe thread sealing compound is used.

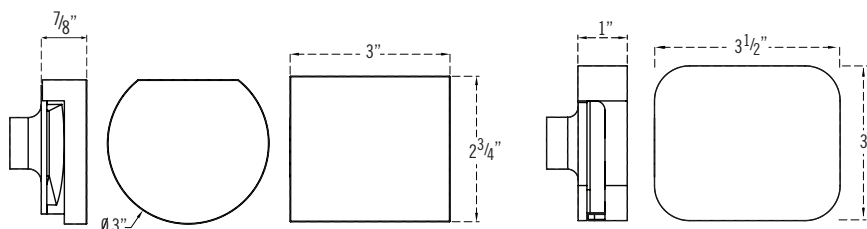
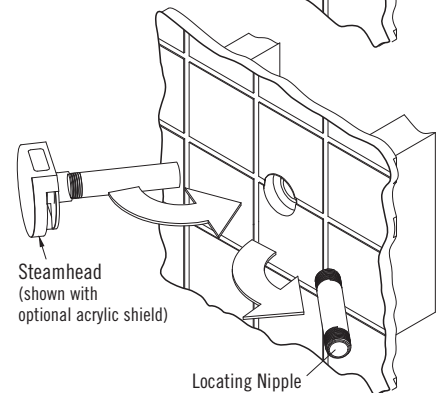
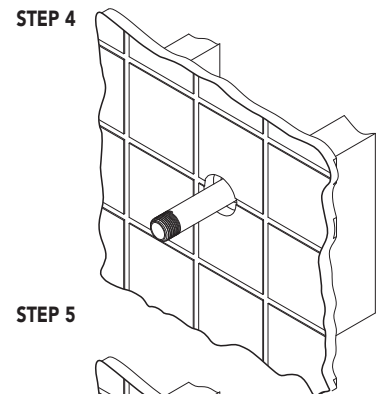
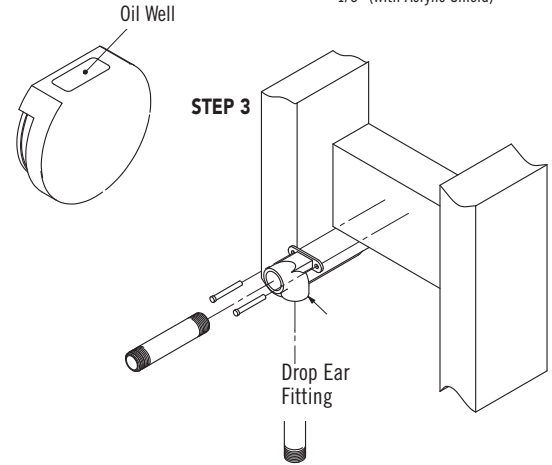
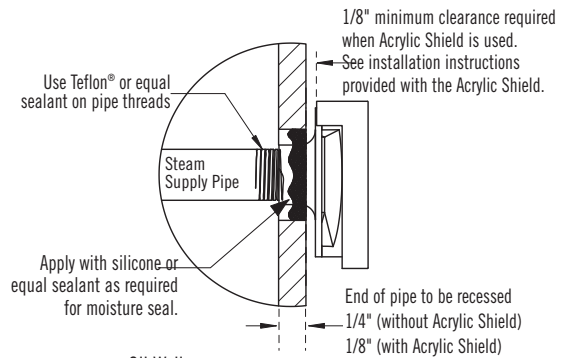
IMPORTANT NOTE: to preserve steam head finish, do not use wrench or other tools to tighten. DO NOT use abrasive cleansers or chemicals. Use only water with mild soap and a non-abrasive sponge.

CAUTION Consult with supplier of acrylic, fiberglass and other non-heat resistant enclosures for recommended steamhead location. Use Acrylic Shield part number MS-103938. See instructions provided with steam shield.

STEP 3 Secure a bronze drop ear fitting to a header and run a 1/2" copper steamline from the steam generator to the drop ear fitting. Install a temporary nipple (6" or longer) in the drop ear fitting to locate the steamhead after the wall is finished.

STEP 4 After the wall has been finished, mark on the nipple where the surface of the wall is. Remove the nipple and measure the portion that was in the wall (the end to your mark). Subtract 1/4" from that dimension and select a brass nipple of that length to finish the installation.

STEP 5 Wrap teflon tape around the threads of the new nipple and screw the nipple into the steamhead. Do not use wrenches or tools which would damage the steamhead's finish. Wrap teflon tape around the threads of the nipple and screw the nipple and steamhead assembly you just made into the drop ear fitting in the wall. The steamhead should be flush with the wall and the well must be facing up.



All drawings are for illustrative purposes only

READ ME FIRST!

As you follow these instructions, you will notice warning and caution symbols. This information is important for the proper, safe and trouble free installation of the Linear Steam Head. These are types of potential hazards that may occur if installation instructions are not carefully followed.

CAUTION This signals a situation where injury or property damage may occur if you do not follow instructions.

IMPORTANT NOTE: This highlights information that is especially relevant to a problem-free installation.

All information in these instructions is based on the latest information available at the time of publication. Sussman-Automatic Corporation reserves the right to make changes at any time without notice.

CAUTIONS

- Linear Steam Head model 104216 is suitable for MrSteam generator models MS90 – MS400, MSSUPER1–MSSUPER3, MX4 – MX6 and CT6 – CT15.
Do not use Linear Steam Head model 104216 for any other MrSteam steam generator. Do not use the Linear Steam Head with any steam generator that is not a MrSteam steam generator. Failure to follow these instructions may result in a leak within the wall cavity and cause problems associated with leaks, moisture and property damage from leaks.
- Do not use the Linear Steam Head with any steam generator that is not a MrSteam steam generator. Failure to follow these instructions result in steam head operation where incidental contact by the bather with direct steam emission cannot occur. Do not locate the steam head in any location where the steam emission zone is near a seat, bench or any space occupied by any persons. Failure to follow these instructions may result in a hazardous condition, scalding or personal injury.
Using model 104216 for any steam generator model larger than the MS Super 3, or for any non MrSteam brand generators may result in an improper installation or hazardous condition.
- MrSteam steam generators Models MX4, MX5 and MX6 require two 104216 steam heads. Failure to use two steam heads may result in steam head operation where incidental contact by the bather with direct steam emission may occur. Do not locate the steam head in any location where the steam emission zone is near a seat, bench or any space occupied by any persons. Failure to follow these instructions may result in a hazardous condition, scalding or personal injury.
- Because the steam head and direct steam emission are very hot, locate the steam head where incidental contact by the user with the steam head or direct steam emission cannot occur.
- Model 104216 Linear Steam Heads are for residential and Day Spa use only. Do not use Model 104216 Linear Steam

Heads for commercial installations or with commercial (CU) steam generators. Using Model 104216 Linear Steam Heads for commercial installations or with commercial (CU) steam generators may result in steam head operation where incidental contact by the bather with direct steam emission may occur. Failure to follow these instructions may result in a hazardous condition, scalding or personal injury.

- Install in a horizontal orientation only. Installation in a non-horizontal orientation may concentrate the steam and result in excessive temperatures. Failure to install in a horizontal orientation may result in steam head operation where incidental contact by the bather with direct steam emission may occur. Failure to follow these instructions may result in a hazardous condition, scalding or personal injury.
- Insulate the steam head and piping as required to reduce temperatures within the wall cavity. Do not locate the steam head or plumbing near any materials, including wiring, devices, or products that may be adversely affected by elevated temperatures. Failure to follow these instructions may result in the failure of materials, including wiring, devices, or products.
- Steam bath controls feature an integral temperature sensor. Locate the steam head in a location where steam emissions will not directly come in contact with the steam control. Failure to follow these instructions may result in a hazardous condition, scalding or personal injury.
- Use the supplied high temperature silicone sealant or equal silicone based product. Do not seal the steam head with grout or any other material that may be compromised adversely by heat.
- The Linear Steam Head model 104216 must be installed by a qualified and licensed plumber. Failure to use a qualified and licensed plumber may result in a leak within the wall cavity and cause problems associated with leaks, moisture and property damage from leaks.

(continued on next page)

READ ME FIRST! (cont.)

CAUTION

- DO NOT use black iron pipe or galvanized pipe for the steam line. Use brass pipe or copper tubing only, and in accordance with national and local plumbing codes.
- Do not modify or alter the steam head. Do not cover, block or insert any product that is not a MrSteam supplied product into the steam outlet. Failure to follow these instructions may result in a leak within the wall cavity, or result in a hazardous condition and/or personal injury.

IMPORTANT NOTES:

- See the Installation and Operation Manual provided with the steam generator for additional important installation and operation information. If this installation and operation manual is not available then go to www.mrsteam.com for an online copy, or contact MrSteam Customer or Technical Services at 800-767-8326 or 800-727-8326 for a free copy.
- Do not disassemble the steam head. The steam head

is shipped fully assembled and requires no additional assembly. Failure to follow these instructions may result in a leak within the wall cavity and cause problems associated with leaks, moisture and property damage from leaks.

- Consult with supplier of acrylic, fiberglass and other non-heat resistant enclosures for elevated temperatures, steam, and moisture compatibility. Consult with supplier of acrylic, fiberglass and other non-heat resistant enclosures for recommended steam head locations.
- To prevent damage to property do not locate the steam head where steam, elevated temperatures, moisture or water can contact any products, wall surfaces, materials, door seals, devices, electronics that are not designed for steam, elevated temperatures, moisture or water.
- Do not use abrasive cleansers or chemicals to clean the steam head. Use only water with mild soap and a non-abrasive sponge. The use of abrasive cleansers or chemicals will damage the finish on the Linear Steam Head.

BOX CONTENTS:

- Linear Steam Head
- Silicone Sealant
- Installation Instructions

Generator Model	Number of Linear Steam Heads	Steam Emission Zone
MS90 – MS400	1	18"
Super1 – Super3	1	24"
MX4 – MX6	2	24"
CT6, CT9	1	18"
CT12, CT15	1	24"

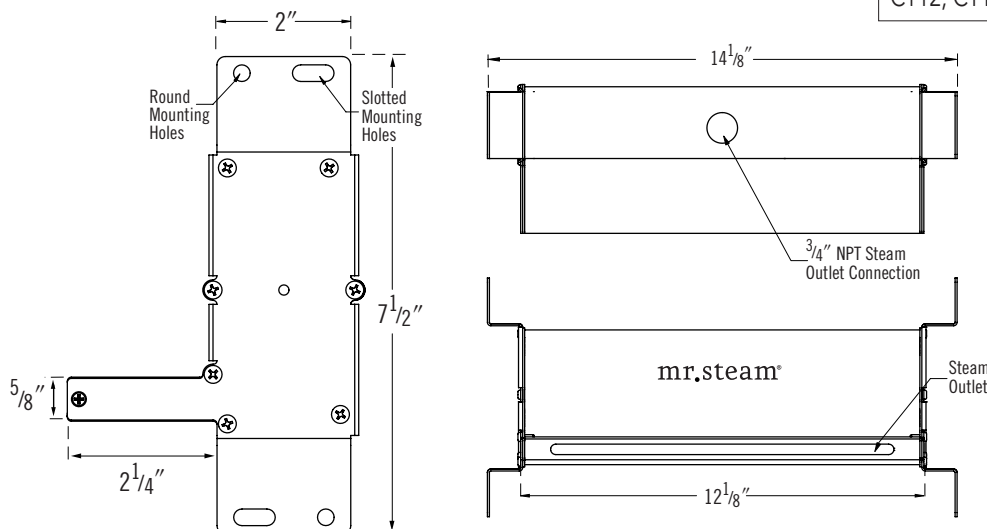


Figure 1

Installation Instructions: Model 104216

INSTALLATION STEPS

⚠ CAUTION Because steam emissions are very hot, locate the steam head where incidental contact by the bather with direct steam emission cannot occur. Do not locate the steam head in any location where the steam emission zone is near a seat, bench or any space occupied by any persons. See Fig. 2 for a diagram of the steam emission zone. Failure to follow these instructions may result in a hazardous condition, scalding or personal injury.

⚠ CAUTION Do not install a Linear Steam Head in a tub or acrylic/fiberglass shower enclosure. Failure to follow these instructions may result in a hazardous condition, scalding or personal injury

STEP 1. Locate the steam head 6-12" above the finished floor. Do not locate the steam head in any location where the steam emission zone is near a seat, bench, or any space occupied by any persons. See Fig. 2 for a diagram of the steam emission zone.

STEP 2. Confirm proper stud spacing: The studs must have a minimum spacing of 14-1/8" and a maximum spacing 14-1/2 ". If the stud spacing is outside the required range then shim or otherwise reposition the studs as required.

⚠ CAUTION Installing the steam head between incorrectly spaced studs may result in damage to the steam head and result in a leak within the wall cavity and cause property damage.

STEP 3. Determine the location of the finished wall surface. Mount the steam head between two studs using the four slotted holes to position the steam outlet face to be flush or extend 1/8" from the finished wall surface (see Fig. 4).

⚠ CAUTION Failure to position the steam head face to be flush or extended 1/8" from the finished wall surface may result in a leak within the wall cavity and cause problems associated with leaks, moisture and property damage from leaks.

STEP 4. Use a level to ensure the steam head is level (see Fig. 3) and the steam head face is flush or extends 1/8" from the finished wall surface. Install the four screws in the mounting holes to secure the steam head to the studs.

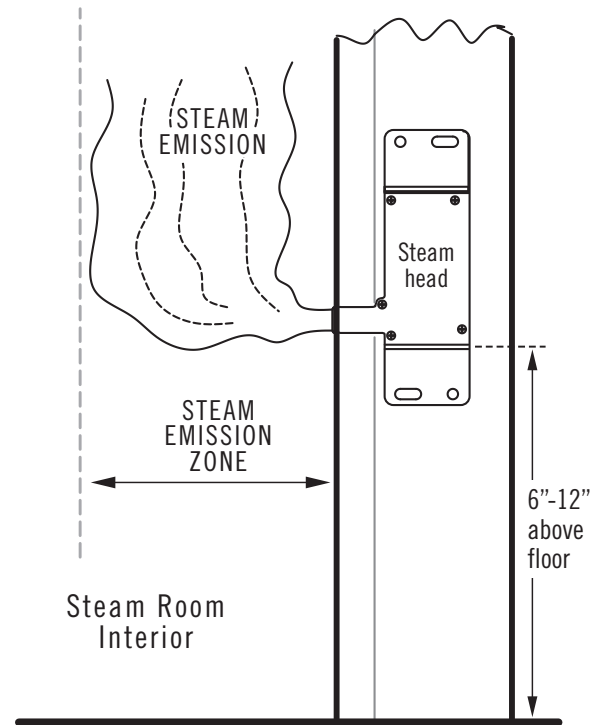


Figure 2

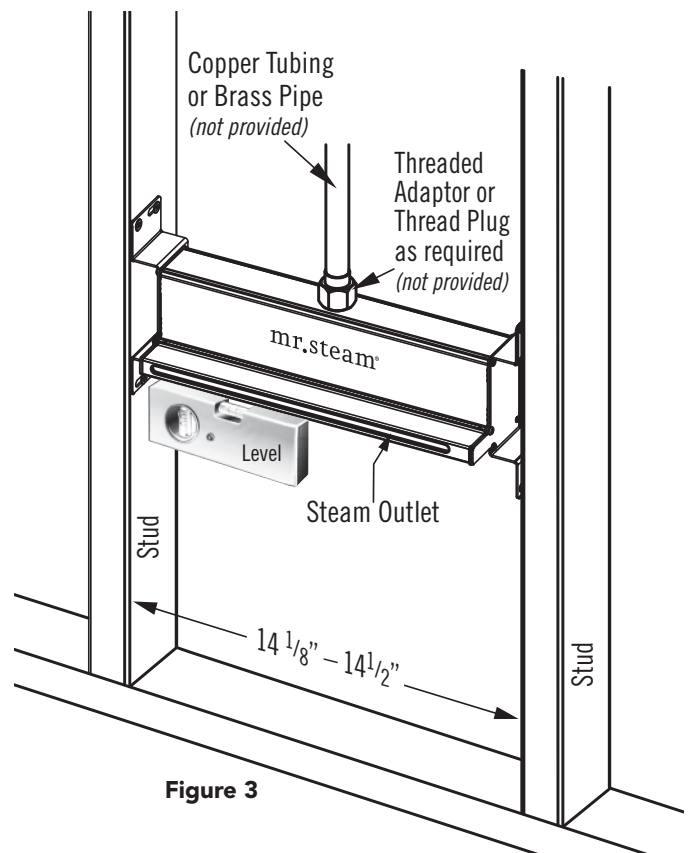


Figure 3

Installation Instructions: Model 104216

STEP 5. Plumb rigid copper tubing or brass pipe from the steam generator to the steam head. Plumbing must not form traps or valleys. Thread sealant must be used as required to ensure a leak free joint.

CAUTIONS

- Plumbing must be installed by a qualified and licensed plumber. Plumbing in a manner that results in traps or valleys in the pipe may result in a noisy or inoperable installation.
- Plumbing without proper thread sealant may result in a leak within the wall cavity and cause problems associated with leaks, moisture and property damage from leaks.
- DO NOT use black iron pipe or galvanized pipe for the steam line. Use brass pipe or copper tubing only, and in accordance with national and local plumbing codes.

STEP 6. Run the steam generator for a few steam cycles to observe and verify that the steam head, steam head installation and plumbing are correct and free of leaks.

STEP 7. Insulate steam line and steam head using insulation rated 212°F or higher. Insulate the steam head and piping as required to reduce temperatures within the wall cavity. DO NOT locate the steam head or plumbing near any materials, including wiring, devices, or products that may be adversely affected by elevated temperatures. Failure to follow these instructions may result in the failure of materials, including wiring, devices, or products.

STEP 8. After the finished wall surface has been installed use high temperature caulking around the steam outlet as required to make a waterproof seal. (see Fig. 4)

STEP 9. A plastic protective film has been provided to protect the steam head during installation. Remove the plastic protective film covering the steam outlet to complete the installation.

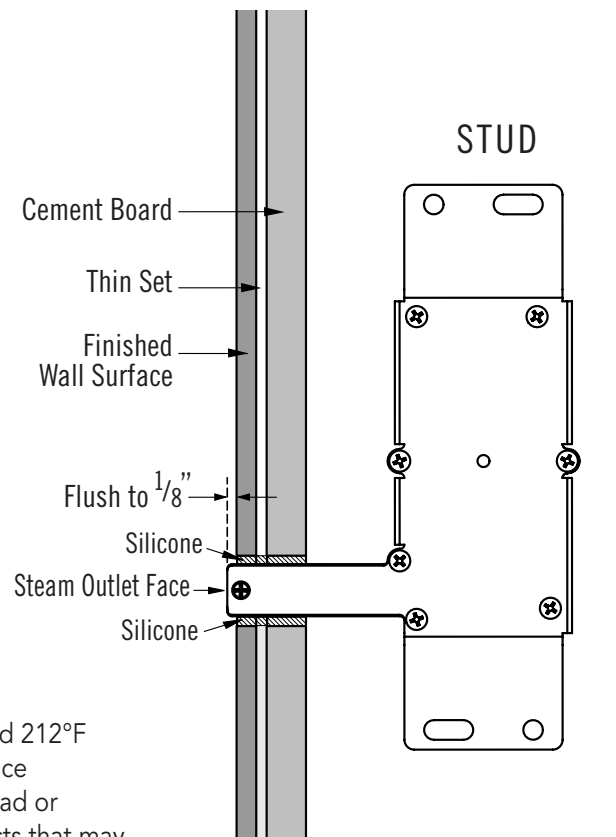


Figure 4

- Complete steam room tile construction information is available from the Tile Council of America, Inc. by purchasing the TCA Handbook for Ceramic Tile Installation. 864- 646-8453 or www.tileusa.com. Information on marble steam room construction is available from the Marble Institute of America www.marble-institute.com. Failure to follow these instructions may result in damage to tile, marble or other materials.
- Finished wall surface may be tile, marble, granite or other steam rated surface.
- MrSteam is not responsible for the steam room construction.
- Consult with qualified designer, architect or contractor for steam room construction.

For Installation assistance please call Customer or Technical support:

East Coast 1-800-767-8326 • West Coast 1-800-727-8326

To view an installation video please go to: www.mrsteam.com

This video is for added visual assistance only. Do not install the Linear Steam Head using the video.

Use only these installation instructions for a safe and problem free installation.

NOTE: Drawings are for illustrative purposes only. Consult with qualified designer, architect or contractor for steam room construction. 4

SteamLinx

INSTALLATION INSTRUCTIONS

SteamLinx Module and Mobile App allows for seamless control of time and temperature using your smart phone or mobile device. SteamLinx works with all MrSteam controls (for MS generators SN 1174000 and up).

These instructions contain safety alert symbols and panels. These alert symbols and panels identify potential safety hazards and provide important information for the installation and use of SteamLinx.

Read the Installation, Operation and Maintenance Manual for Steambath Generator Systems (PUR100472) before installation of SteamLinx to insure safety and proper installation of the steam Generator. A free replacement manual is available by calling MrSteam Customer Service, or it can be downloaded from mrsteam.com

All drawings for schematic purposes only.

Package Contents:

- SteamLinx A with Integral Cable
- SteamLinx B and Ethernet Cable
- Power Supply and Cable
- Instructions

⚠ WARNING Indicates a potentially hazardous situation, which, if not avoided, may result in death or serious injury.

⚠ CAUTION Indicates a potentially hazardous situation, which, if not avoided, may result in minor or moderate injury or product damage.

NOTICE is used to address practices not related to physical injury.

1

NOTICE Notice alert SteamLinx A and B signal range is limited max. distance of 60ft.

Connecting SteamLinx A to the Steam Generator

- Disconnect power to the generator at the breaker box.
- Locate the SteamLinx A (with the integral cable).

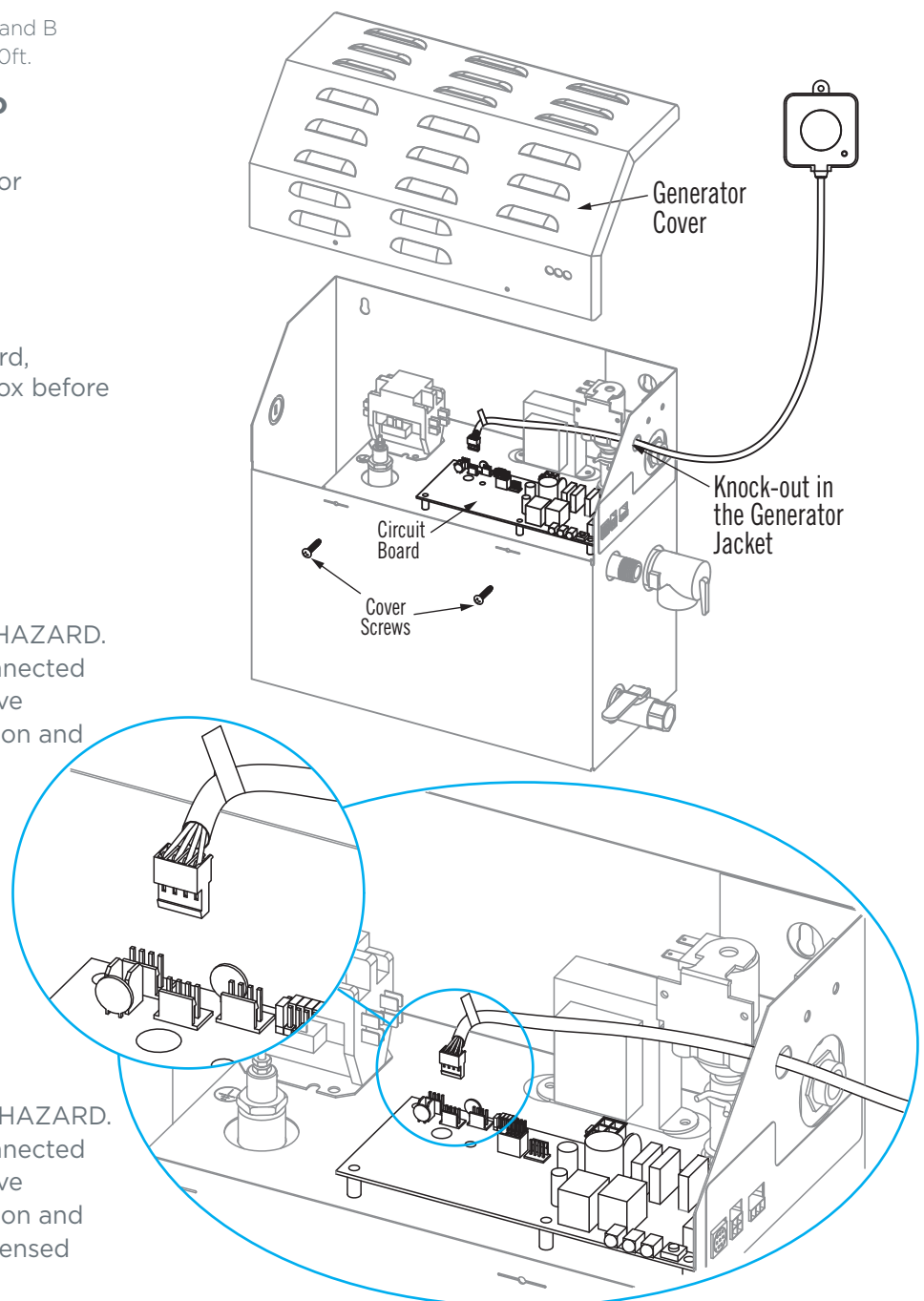
⚠ WARNING To prevent shock hazard, disconnect power at the breaker box before removing generator cover

- Remove knock-out.
- Remove generator cover.
- Route the SteamLinx A cable through the knockout

⚠ WARNING ELECTRICAL SHOCK HAZARD. MrSteam steam generators are connected to 240V line voltage and contain live electrical components. All installation and service must be performed by a licensed and qualified electrician.

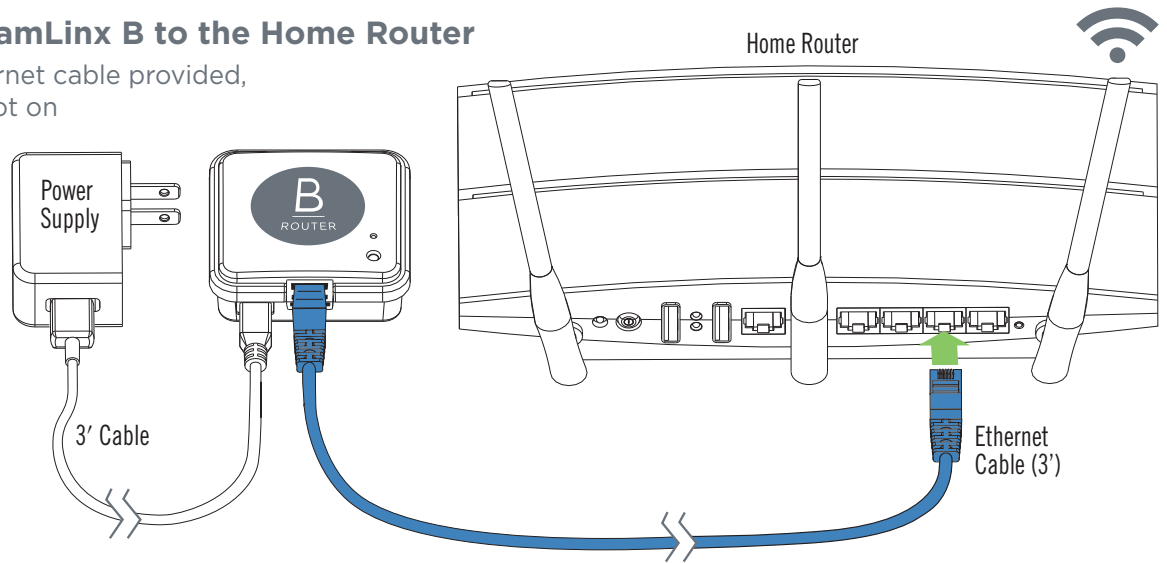
- Locate the circuit board.
- Plug the SteamLinx A into the white connector located at the far left side of the circuit board.
- Replace cover and screws.
- Restore power.

⚠ WARNING ELECTRICAL SHOCK HAZARD. MrSteam steam generators are connected to 240V line voltage and contain live electrical components. All installation and service must be performed by a licensed and qualified electrician.



2 Connecting SteamLinx B to the Home Router

- Plug the blue ethernet cable provided, into an ethernet slot on the back of the home router.
- Plug the power supply into a 120V outlet.



3 Connecting SteamLinx to the Internet

- Insure the mobile device is on the WiFi network.
- Download the SteamLinx App from the Apple Store or Google Play by following prompts.



4 Troubleshooting: Blinking LED Units are out of range or not paired

- Turn breaker off.
- Insure SteamLinx A is connected to the steam generator.
- Use a paperclip or similar blunt end object to press the reset button (above the LED) on SteamLinx B.
- The LED will flash yellow (it stays in pairing mode until it is paired or powered off).
- Turn the breaker to the steam generator ON, if the two transmitters are functioning correctly and within range the LEDs will turn blue.
- If the Blue, Green or Red LEDs are blinking the units are not pairing because they are out of range. Using an extension cord for power, move the SteamLinx B closer to SteamLinx A. Disconnect the ethernet cable (the router connection is not required for this test). If the LEDs stop blinking this confirms the units were out of range.

Troubleshooting: Indicator Lights

LEDs

- Yellow Blinking units are in pairing mode.
- Red Router not detected: problem with connections, router configuration or steam generator circuit board.
- Green SteamLinx B: router is detected but is not connecting to the internet. The indicator light on SteamLinx A will not be illuminated.
- Blue Units are connected correctly.

5 Tech Service Contact

CUSTOMER and TECH SUPPORT

Web: Visit mrsteam.com for additional informaton including product specifications, locating a device, sizing calculator, technical downloads and other resources.

Call: Mon.- Fri.: 8 am - 7 pm
East Coast: 1.800.767 STEAM (8326)
West Coast: 1.800.727 STEAM (8326)
Worldwide: 1.718.937.4500

6 Warranty

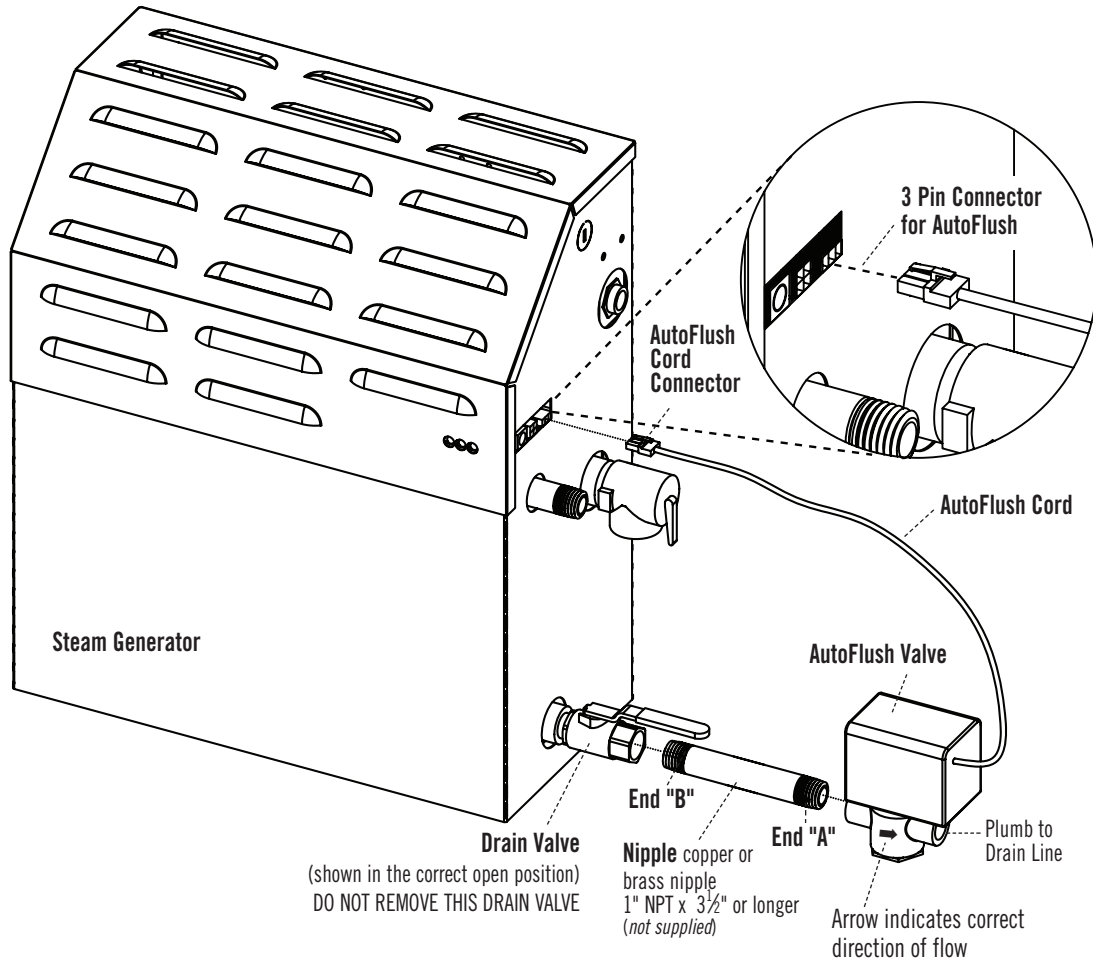
To view or download the SteamLinx warranty and register, go to blog.mrsteam.com/wr

INSTALLATION INSTRUCTIONS

BOX CONTENTS:

- AutoFlush System Valve with Cord
- Installation Instructions.

ASSEMBLY OF OPTIONAL AUTOFLUSH® SYSTEM



OPERATION

The optional AutoFlush System feature automatically drains the MrSteam system following each use. A time delay allows the water to cool down (about two hours) before it drains resulting in a safe and gentle operation.

INSTALLATION INSTRUCTIONS

1. Plumbing to be performed by a qualified plumber and shall be in accordance with applicable National and Local codes. Unit drains by gravity. A drain line that is lower than the AutoFlush assembly must be available. The AutoFlush System valve outlet is threaded 1/2" NPT. Check plumbing code for receptor, trap and vent requirements.
2. Use copper or brass nipple 1/2" NPT x 3 1/2" (90mm) or longer (*not supplied*) to connect AutoFlush valve (end "B") to the Drain Valve (valve end "A" and "B" are indicated on bottom of AutoFlush Valve)

CAUTION DO NOT REMOVE THE DRAIN VALVE

Removal may cause equipment and property damage. If there is not enough room for the valve, an elbow and a short nipple (*not provided*) can be added.

3. Open Drain Valve (handle must be aligned with brass nipple).
4. Connect the AutoFlush System cord connector to the three pin connector as shown.

WARNING Do not drain into a steam enclosure or any location where accidental contact with drain water may occur. In the event of a power failure the AutoFlush System valve will open and may discharge boiling water.

SWEAT FITTINGS

When using sweat fittings use only tin base solder with a melting point below 600 degrees F. Do not overheat. Ends of water supply tubing must be thoroughly clean for a minimum distance of 1" from ends. Do not remove valve cover.

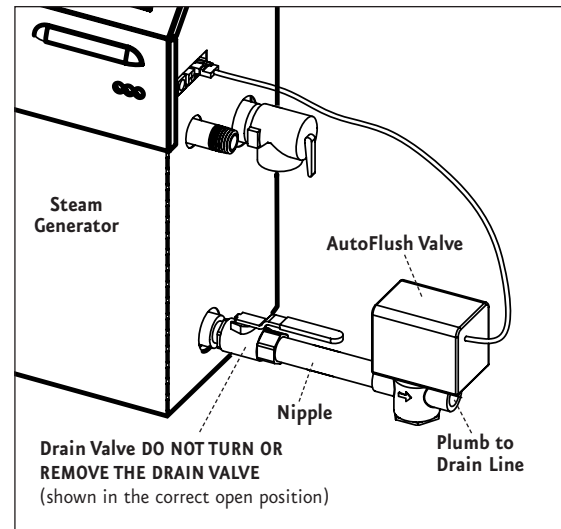
TO CHECK OPERATION

1. Turn on MrSteam with the control and allow tank to fill with water. (see MrSteam Instruction Manual)
2. Turn off MrSteam with the control. Water should stay in tank.
3. Turn off power at the panel box. Water should discharge from tank.
4. Turn on power at panel box.
5. Repeat

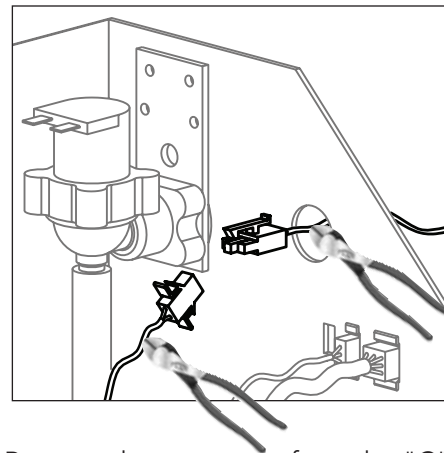
CAUTION PROVIDE DRAIN PLUMBING ACCORDING TO LOCAL CODES. PLUMB AS REQUIRED FOR AUTOFLUSH SYSTEM.

IMPORTANT NOTE: Contact the MrSteam Technical Service Dept. for installation of any equipment not shown in these instructions. East Coast: 800-767-8326; West Coast: 800-727-8326

AutoFlush® Shown Fully Assembled



Installing AutoFlush on Older Model Generators SN:899,999 and below



1. Remove the connector from the "C" location in the jacket. Cut off the connector where shown and strip back the wires approx 0.375"
2. Cut the connector off the AutoFlush cable where shown and strip back the wires approx 0.375"
3. Remove the knockout in the side of the generator and install a bushing to prevent chafing.
4. Route the wires from the AutoFlush through the knockouts and connect the white wire from the AutoFlush to the white wire from the circuit board using a wire nut. Repeat for the black wire.

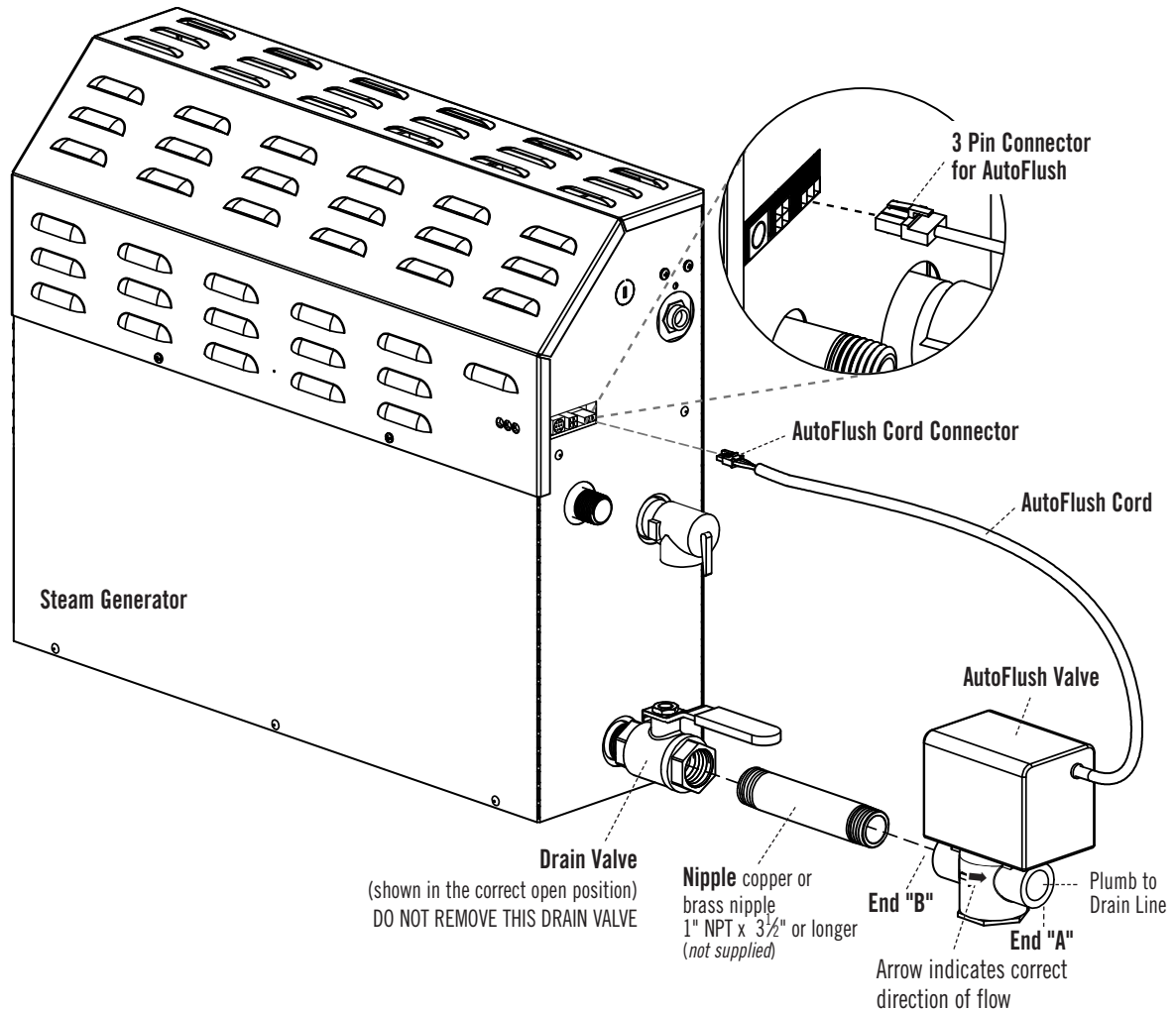
WARRANTY: To view or download the MrSteam Controls & Accessories Warranty and register your product go to: blog.mrsteam.com/wr

INSTALLATION INSTRUCTIONS

BOX CONTENTS:

- AutoFlush System Valve with Cord
- Installation Instructions.

ASSEMBLY OF OPTIONAL AUTOFLUSH® SYSTEM



OPERATION

The optional AutoFlush System feature automatically drains the MrSteam system following each use. A time delay allows the water to cool down (about two hours) before it drains resulting in a safe and gentle operation.

INSTALLATION INSTRUCTIONS

1. Plumbing to be performed by a qualified plumber and shall be in accordance with applicable national and local codes. Unit drains by gravity. A drain line that is lower than the AutoFlush assembly must be available. The AutoFlush System valve outlet is threaded 1" NPT. Check plumbing code for receptor, trap and vent requirements.
2. Use copper or brass nipple 1" NPT x 3½" or longer (*not supplied*) to connect AutoFlush valve (end "B") to the Drain Valve (valve end "A" and "B" are indicated on bottom of AutoFlush Valve)

CAUTION DO NOT REMOVE THE DRAIN VALVE

Removal may cause equipment and property damage. If there is not enough room for the valve, an elbow and a short nipple (*not provided*) can be added.

3. Open Drain Valve (handle must be aligned with brass nipple).
4. Connect the AutoFlush System cord connector to the three pin connector as shown.

WARNING Do not drain into a steam enclosure or any location where accidental contact with drain water may occur. In the event of a power failure the AutoFlush System valve will open and may discharge boiling water.

SWEAT FITTINGS

When using sweat fittings use only tin base solder with a melting point below 600 degrees F. Do not overheat. Ends of water supply tubing must be thoroughly clean for a minimum distance of 1" from ends. Do not remove valve cover.

TO CHECK OPERATION

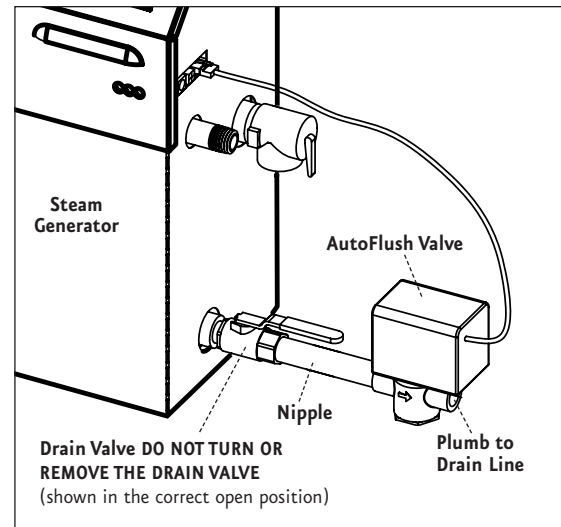
1. Turn on MrSteam with the control and allow tank to fill with water. (see MrSteam Control Instruction Manual)
2. Turn off MrSteam with the control. Water should stay in tank.
3. Turn off power at the panel box. Water should discharge from tank.
4. Turn on power at panel box.
5. Repeat

CAUTION PROVIDE DRAIN PLUMBING ACCORDING TO LOCAL CODES. PLUMB AS REQUIRED FOR AUTOFLUSH SYSTEM.

IMPORTANT NOTE: Contact the MrSteam Technical Service Department for installation of any equipment not shown in these instructions. East Coast: (800) 767-8326; West Coast: (800) 727-8326

WARRANTY: To view or download the MrSteam Controls & Accessories Warranty and register your product go to: blog.mrsteam.com/wr

AutoFlush® Shown Fully Assembled



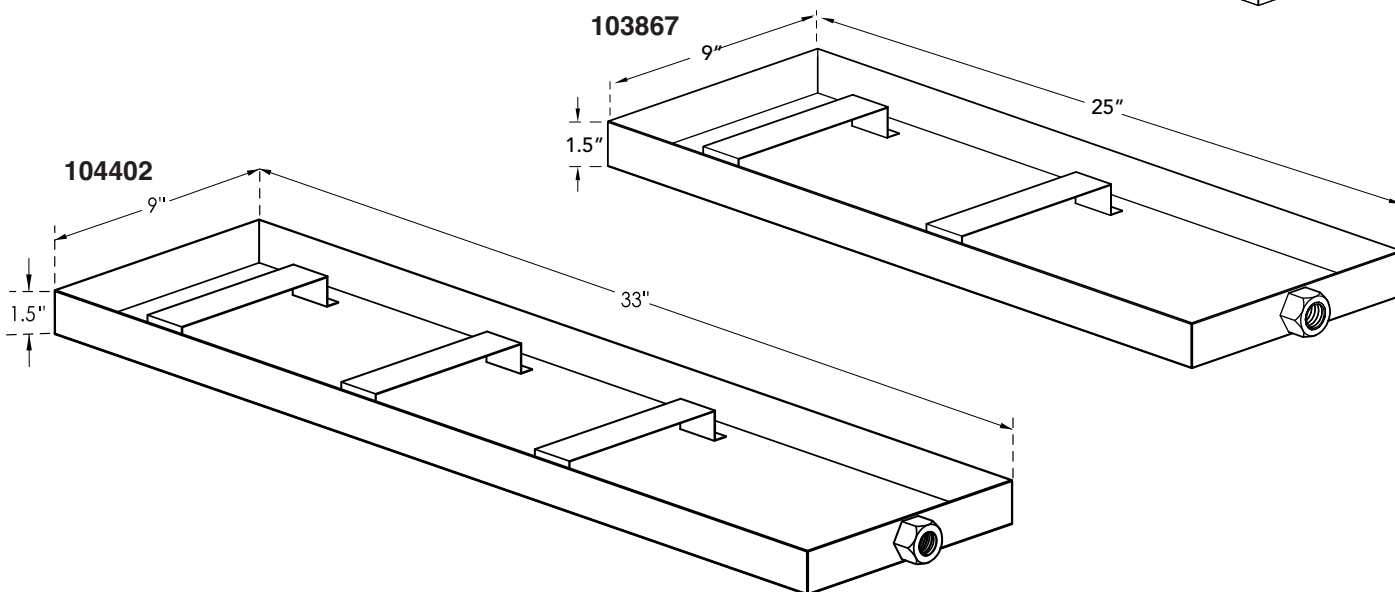
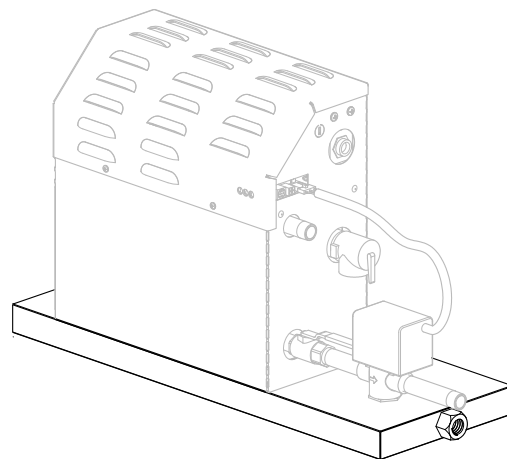
Condensation Pan

103867 & 104402

Mr.Steam strongly recommends the use of a condensation pan in the unlikely event of a plumbing leak.

Locate the condensation pan on a solid level surface and place the steam generator inside the condensation pan. Insure the steam generator is level.

All plumbing shall be performed by a qualified licensed plumber and in accordance with applicable national and local codes. Check local plumbing code for receptor, trap and vent requirements. Condensation pans drain by gravity. The condensation pan is equipped with an integral 3/4" NPT fitting.



NOTE: For MX4E, MX5E and MX6E use model 104402

FOR ILLUSTRATIVE PURPOSES ONLY. IMPORTANT NOTE: FOR SAFE AND TROUBLE FREE INSTALLATION visit mrsteam.com before installation to download the Installation, Operation and Maintenance Manual or refer to the manual provided with the unit.

MODEL	PROJECT INFORMATION	
<input type="checkbox"/> 103867	Location:	Contractor:
<input type="checkbox"/> 104402	Architect:	Submitted By:
	Engineer:	Date:
Notes:		