

30-Minute Digital Room Timer

FEATURES: The countdown timer uses a relay to switch the steam solenoid on. During the preset running time, the relay energizes and activates the connected steam solenoid by closing a circuit. After the time has elapsed, the relay deenergizes and deactivates the connected steam solenoid by opening the circuit again. **THE TIMER MAY ONLY BE OPERATED AFTER INSTALLATION IN A PROTECTIVE HOUSING.** A large 3-digit LCD display is provided for monitoring the countdown of the timer.

INSTALLATION & LOCATION

This timer may only be installed by a qualified, licensed electrician and must be installed in accordance with National and local codes.

! WARNING SHOCK HAZARD! Install the timer per the Digital 30-Minute Timer Installation and Operating Manual, PUR 100383, before connecting to the main supply. Never touch live contacts or components.

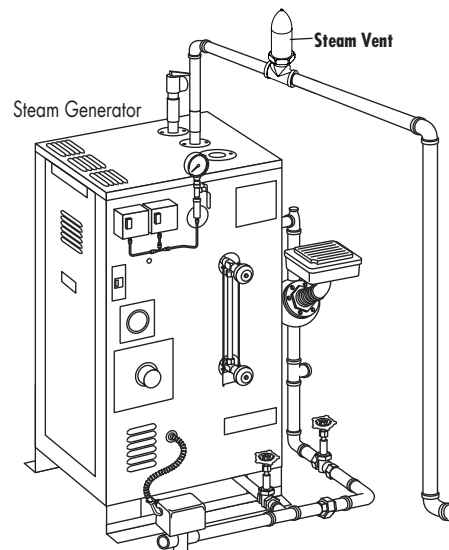
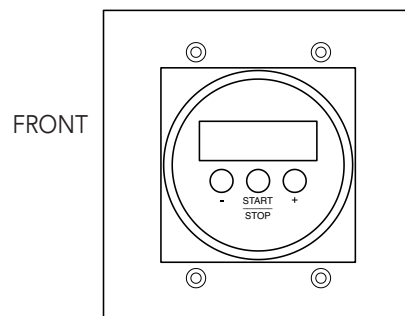
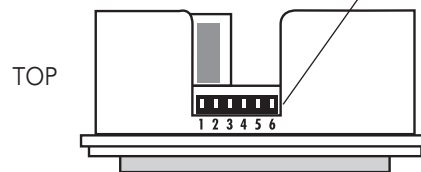
! WARNING DO NOT install the timer in a wet or damp location.

! WARNING DO NOT install the timer inside the steam room.

IMPORTANT: A steam vent (PN 104072) must be installed in the steam line between the steam generator and the steam solenoid valve when using a 30 minute timer. The steam vent will release hydrostatic pressure in the boiler while filling when the 30 minute timer has timed out.

! WARNING Make sure the boiler and pipes are not hot and have no pressure before installing the steam vent.

DIP switches used to change timer setting. Refer to PUR 100383 for programming details.



FOR ILLUSTRATIVE PURPOSES ONLY. IMPORTANT NOTE: FOR SAFE AND TROUBLE FREE INSTALLATION visit mrsteam.com before installation to download the Installation, Operation and Maintenance Manual or refer to the manual provided with the unit.

MODEL	PROJECT INFORMATION	
CU 99216DIG	Location:	Contractor:
	Architect:	Submitted By:
	Engineer:	Date:
Notes:		