

# MONOGRAM DOUBLE-DRAWER REFRIGERATOR

## ZIDS240NSS



When ordering this product, be sure to use the model number associated with the chosen handle.



Statement handle  
ZXGD2H2PPSS

Minimalist handle  
ZXGD2H2CPSS

### MINIMALIST HANDLE

Model is shown with the Minimalist handle, which needs to be ordered separately. To order this handle use model number ZXGD2H2CPSS.



### DIGITAL TOUCH CONTROLS

Offer a range of temperatures for precise chilling of a variety of fresh foods and beverages, and a LED display allows easy viewing of temperatures

### FULL-EXTENSION SLIDE-OUT REFRIGERATED DRAWERS

Storage for everything from whole melons to 146 12-oz. cans

### SPACIOUS INTERIOR WITH ADJUSTABLE DIVIDERS, FOLD-DOWN SHELF AND REMOVABLE DRAWER BIN

Maximizes useable storage space and flexibility

### SOFT INTERIOR LED LIGHTING

Automatically illuminates when the door is open, but can be activated by an internal on/off switch

### FLUSH INSTALLATION

Allows near-seamless integration with surrounding cabinetry



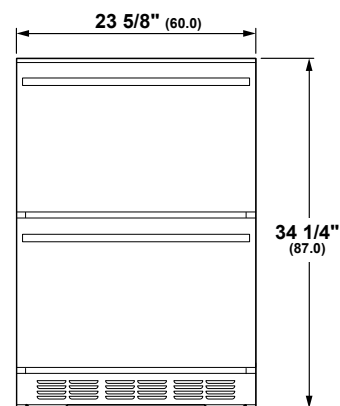
### SPECIFICATIONS

Overall Width	23 1/2" (59.7 cm)
Overall Height	34 3/4" (88.3 cm)
Overall Depth	23 1/4" (59.1 cm)
Overall Capacity	5.0 cu. ft.
Minimum Cabinet Width	23 3/4" (60.3 cm)
Minimum Cabinet Depth	24" (61.0 cm)
Cutout Width	23 3/4" (60.3 cm)
Cutout Height	34 1/2" (87.6 cm) Min 35" (88.9 cm) Max
Electrical Requirements	1.2 A
Voltz/Hertz/Amps	120 V, 60 Hz, 15 or 20 amp circuit
Shipping Weight	155 lb (70.5 kg)

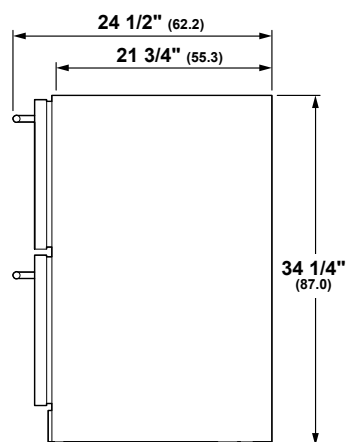
### ATTENTION ELECTRICIAN:

A 115 volt 60Hz, 15 or 20 amp power supply is required. An individual properly grounded branch circuit or circuit breaker is recommended. Install a properly grounded 3-prong electrical receptacle recessed into the back wall.

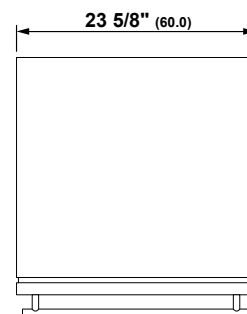
### OVERALL DIMENSIONS



FRONT VIEW



SIDE VIEW

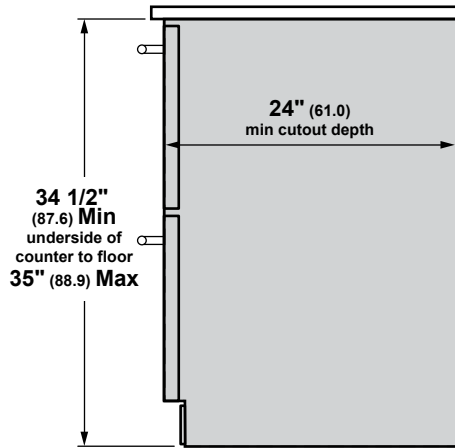


TOP VIEW

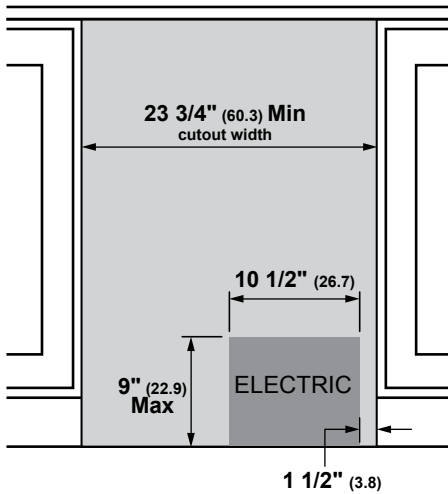
Dimensions in parentheses are in centimeters unless otherwise noted. Actual product dimensions may vary due to manufacturing tolerances.

**INSTALLATION**

**INSTALLATION CUTOUT  
SIDE VIEW**



**INSTALLATION CUTOUT  
FRONT VIEW**



**NOTES**

- Model can be installed flush with standard cabinetry.
- Designed to be built-in only. Cannot be used free-standing.
- Black vented toekick with optional stainless steel toekick supplied.