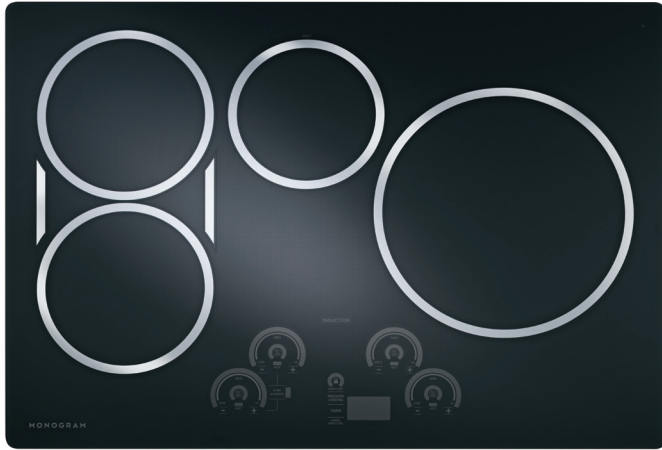


# MONOGRAM 30" INDUCTION COOKTOP

ZHU30RDPBB



## GOURMET GUIDED COOKING

Elevate your culinary skills. Use the Hestan Cue™ pan included with your new cooktop and this smart cooking system to create an array of chef-inspired recipes—perfectly

## GLIDE TOUCH CONTROLS

Easy to use electronic controls allow you to precisely raise or lower heat in an instant with one easy swipe

## FOUR INDUCTION COOKING ELEMENTS

Enjoy a new level of rapid, precise heating with a cool-to-the-touch surface that's easy to clean

## 11" 3700W INDUCTION ELEMENT

Rapidly boil water with our most powerful induction element

## SYNCBURNERS

Control two 7" elements simultaneously to evenly heat large cookware

## MELT SETTING

Gently melt delicate foods without burning or scorching

## CONTROL LOCK CAPABILITY

Protects against unintended activation

## CUSTOM SETTINGS

Personalize your cooktop settings to fit your cooking style

## PAN PRESENCE & SIZE SENSORS

Cook efficiently with elements that heat to the size of your pan and shut off when no pan is present

## FLUSH-MOUNT CAPABLE

Optional accessory kit enables the cooktop to be flush inset into the countertop for a sleek, modern look

## PRECISION COOKING

Achieve restaurant quality results with an optional probe that wirelessly controls the temperature of your food. Ideal for Sous Vide, Slow Cooking, making candy, etc., or for any other cooking that requires precise control of temperature over time



### SPECIFICATIONS

Overall Width	29 3/4" (75.6 cm)
Overall Depth	20 7/8" (53.0 cm)
Overall Height	4 5/8" (11.8 cm)
Cut-out Width	28 1/2" (72.4 cm)
Cut-out Depth	19 5/8" (49.9 cm)
Conduit Length	48" (122 cm)
Electrical Rating	7400W at 240V/60Hz 6400W at 208V/60Hz
Recommended Circuit Breaker Size	40 Amps
Net Weight	45 lbs. (20.4 kg)
Approx. Shipping Weight	51 lbs. (23.1 kg)

### OPTIONAL ACCESSORIES

Precision Cooking Kit	JXPROBE1
Flush-Mount Kit	JXFLUSH1
Giddle	JXGRIDL1

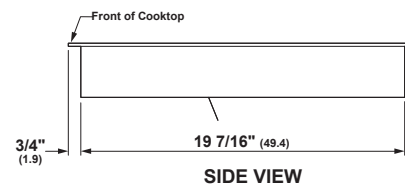
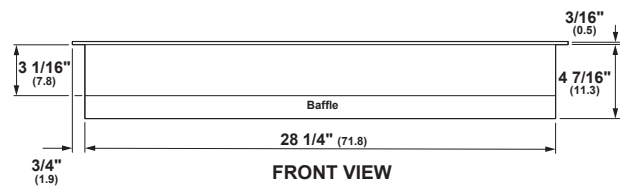
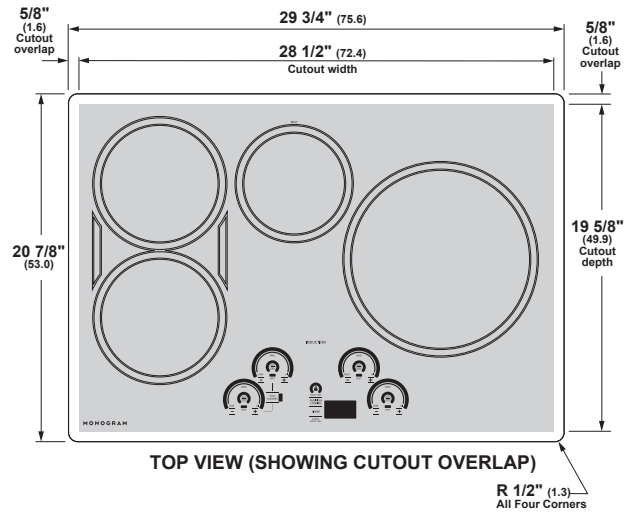
### ATTENTION ELECTRICIAN:

This cooktop is provided with a 48" flexible conduit and must be hard wired (direct wired) into an approved junction box and be properly grounded. It is not permitted to use a "plug and receptacle" type installation on this cooktop.

Use a two-wire, three conductor 208/240 VAC, 60 Hertz electrical system. A white (neutral) wire is not needed for this cooktop

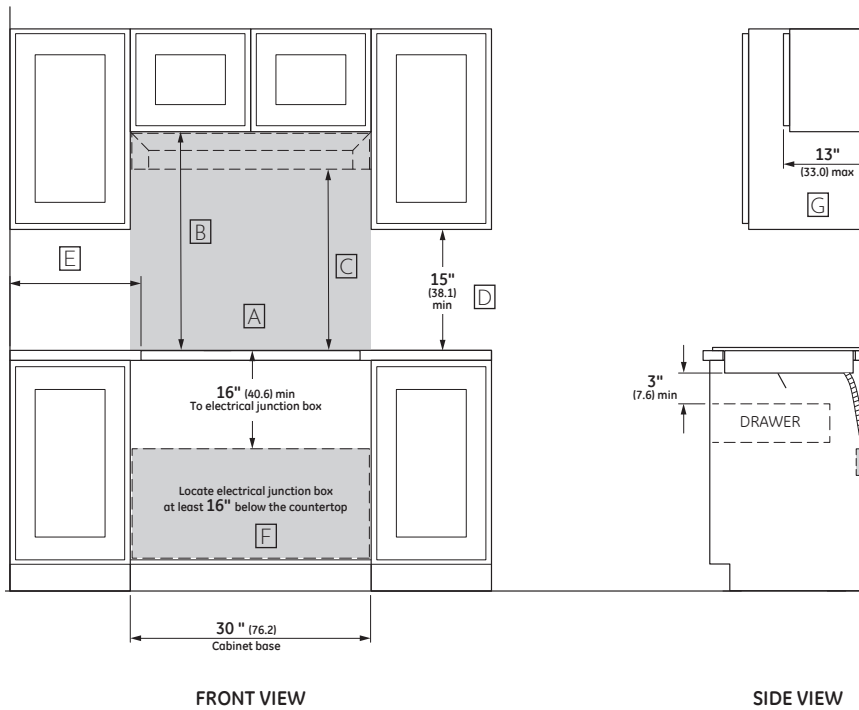
For more details refer to the installation instructions for this product.

### OVERALL DIMENSIONS

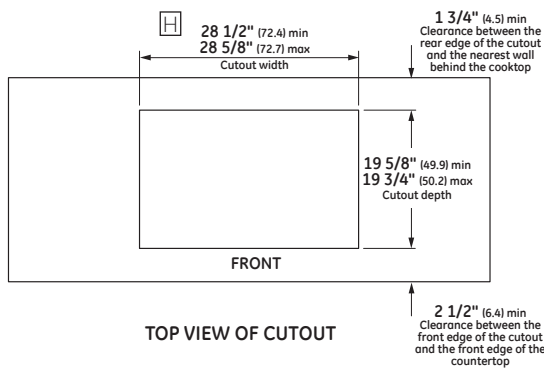


Dimensions in parentheses are in centimeters unless otherwise noted. Actual product dimensions may vary due to manufacturing tolerances.

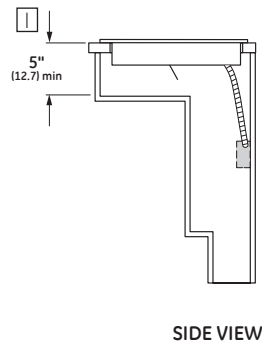
## INSTALLATION



## COUNTERTOP CUT-OUT DIMENSIONS



## ADA INSTALLATION



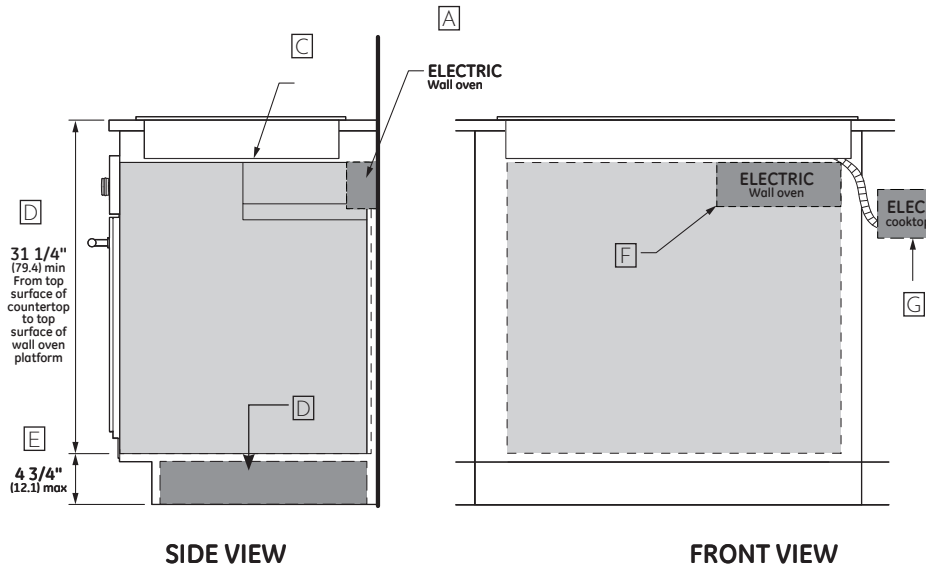
Dimensions in parentheses are in centimeters unless otherwise noted.

## HELPFUL TIPS

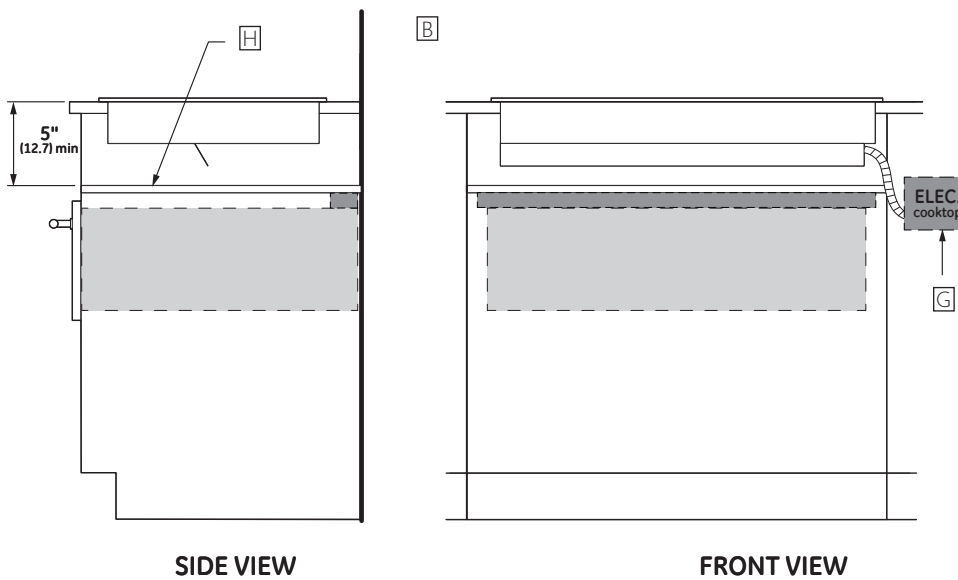
- A** Wall coverings, countertop and cabinets surrounding cooktop must be able to withstand temperatures of up to 200°F.
- B** Minimum 30" clearance from countertop to unprotected overhead surfaces, when no ventilation hood or microwave oven is installed.
- C** When using a ventilation hood or microwave oven above the cooktop, see hood or microwave installation instructions for minimum overhead clearance dimensions.
- D** Minimum 15" of clearance from countertop to nearest overhead surface on both sides of cooktop. Make sure to include any lighting rail covers in calculation.
- E** Minimum 2" distance from edge of cutout to nearest adjacent side wall below upper cabinets.
- F** Install an approved junction box where it can be easily reached through the front of the cabinet where the cooktop is located. **IMPORTANT:** For serviceability, the junction box must be located where it will allow considerable slack in the 48" long conduit.
- G** Maximum 13" depth of unprotected overhead surfaces, when no ventilation hood or microwave oven is installed.
- H** For Americans with Disabilities Act (ADA) forward approach installation: Minimum 5" clearance between the top of the countertop and the enclosure. The enclosure must be made of at least 1/4" thick wood material, and must have an access panel installed in order to provide access to the junction box and hold-down brackets, and to allow for service of the cooktop.

For more details refer to the installation instructions for this product.

### INSTALLATION ABOVE WALL OVEN



### INSTALLATION ABOVE WARMING DRAWER



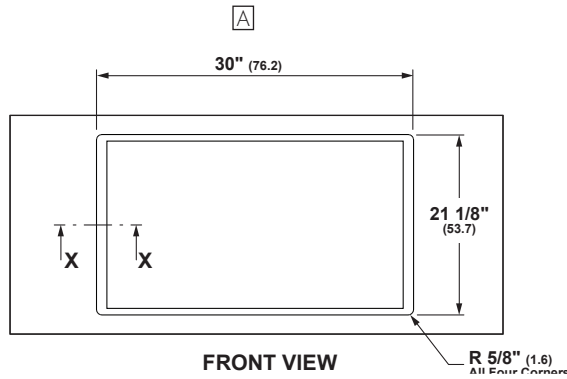
### HELPFUL TIPS

- A** Note this cooktop is only approved for installation above specified wall ovens as labeled on this unit.
- B** Warming drawers are approved for installation below only certain specified cooktop models. See the label attached to the top of the warming drawer or underside of the cooktop for approved combinations.
- C** When installing this cooktop above a single wall oven, do not install the baffle.
- D** Maintain a minimum distance of 31-1/4" from the top surface of the countertop to the wall oven platform to ensure that the cooktop and wall oven do not interfere with each other (see picture).
- E** The cooktop platform must be a minimum height of 4-3/4" from the floor to ensure that the handle does not hit the floor when the door is opened.
- F** Junction box location for wall oven (may also be located in adjacent cabinet).
- G** Electrical connection for cooktop must be located in an accessible adjacent location to the right (may also be located in adjacent cabinet).
- H** When installing the cooktop above a warming drawer, a solid barrier must be installed at least 5" from the top of the countertop. Use any solid material such as 1/4" thick plywood. Allow at least a 2" air gap between the front of the barrier and the inside of the cabinet and at least 1/4" air gap between the barrier and the top of the warming drawer.

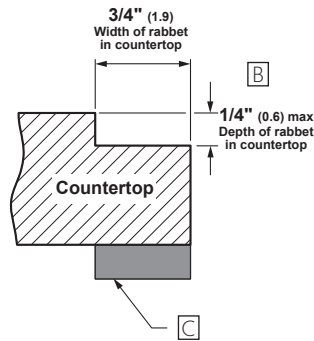
For more details refer to the installation instructions for this product

For more details, refer to the installation instructions for this product on [Monogram.com](http://Monogram.com). Dimensions in parentheses are in centimeters unless otherwise noted.

## FLUSH MOUNT INSTALLATION



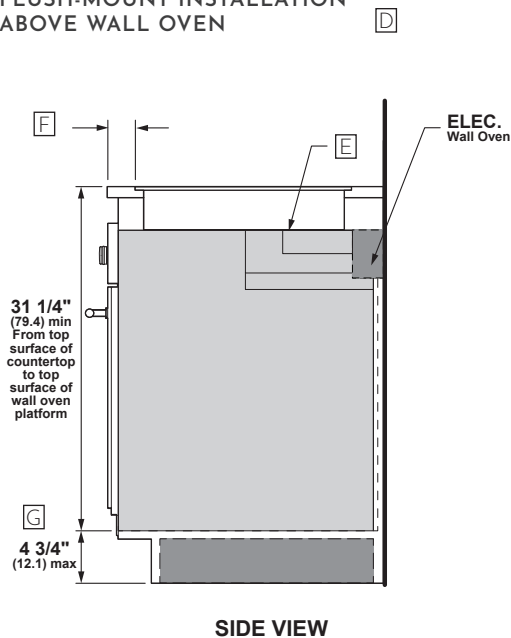
TOP VIEW OF CUTOUT



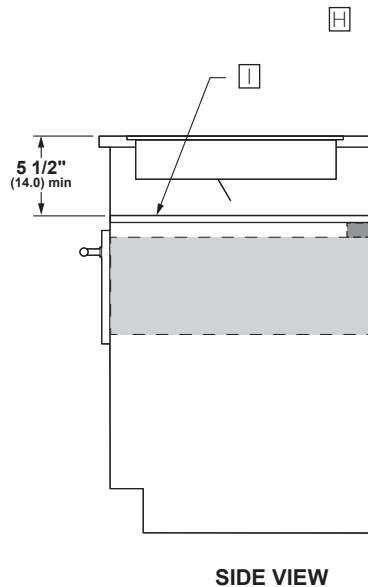
SECTION X-X

Through countertop showing  
depth of rabbet for flush-mount

## FLUSH-MOUNT INSTALLATION ABOVE WALL OVEN



## FLUSH-MOUNT INSTALLATION ABOVE WARMING DRAWER



## HELPFUL TIPS

- A Use optional JXFLUSH1 kit to flush-mount the cooktop into the countertop. Read all installation instructions supplied with cooktop and kit before beginning installation.
- B To avoid hot cookware from contacting the countertop surface, the cooktop should be installed at least 1/32" higher than the countertop.
- C Use strips of wood or solid-surface countertop material to reinforce the countertop below the flush-mount rabbet. For an island or peninsular installation secure strips to all four sides, otherwise just secure strips to the front and back under the cutout.
- D Note this cooktop is only approved for installation above specific wall ovens as labeled on this unit.
- E When installing this cooktop above a single wall oven, do not install the baffle.
- F When this cooktop is installed above a flush-mounted wall oven, the clearance from the front edge of the countertop to the front edge of the cooktop cutout is minimum 2-1/2" plus the wall oven cleat setback.
- G The cooktop platform must be a minimum height of 4-3/4" from the floor to ensure that the handle does not hit the floor when the door is opened.
- H Warming drawers are approved for installation below only certain specified cooktop models. See the label attached to the top of the warming drawer or underside of the cooktop for approved combinations.
- I When installing the cooktop above a warming drawer, a solid barrier must be installed at least 5-1/2" from the top of the countertop. Use any solid material such as 1/4" thick plywood. Allow at least 1/4" air gap between the barrier and the top of the warming drawer.

For more details refer to the installation instructions for this product

For more details, refer to the installation instructions for this product on Monogram.com. Dimensions in parentheses are in centimeters unless otherwise noted.