

DIMENSIONS AND INSTALLATION INFORMATION
(IN INCHES)

PRODUCT DIMENSIONS

This vent hood is designed to be used in vented ceiling mounted installations.

- 20" to an 8 ft. ceiling. Using supplied duct cover
- 32" for 9 ft. ceiling. Using ZX1059SFSS Accessory
- 44" for 10 ft. ceiling. Using ZX10510SFSS Accessory

This vent hood is supplied with a decorative duct cover to reach 8 ft. ceiling height, or between 7'11" and 8'1".

DUCT COVER ACCESSORIES

Order Accessory duct covers for 9 ft. and 10 ft. ceilings.

ZX1059SFSS - For 9 ft. ceiling height

This kit includes a decorative duct cover and support frame to reach a 9 ft. ceiling height.

ZX10510SFSS - For 10 ft. ceiling height

This kit includes a decorative duct cover and support frame to reach a 10 ft. ceiling height.

Order the accessory at the same time as the vent hood and have on site before installation begins.

PRODUCT CLEARANCES

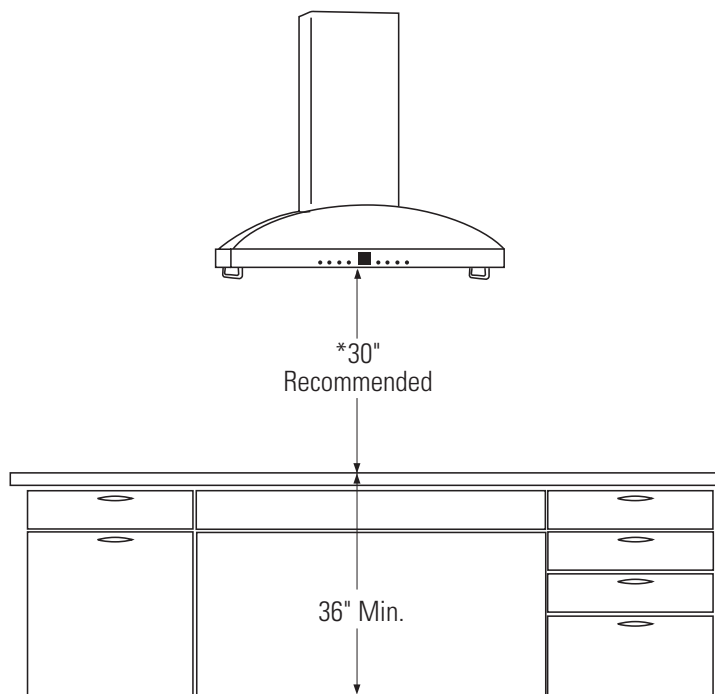
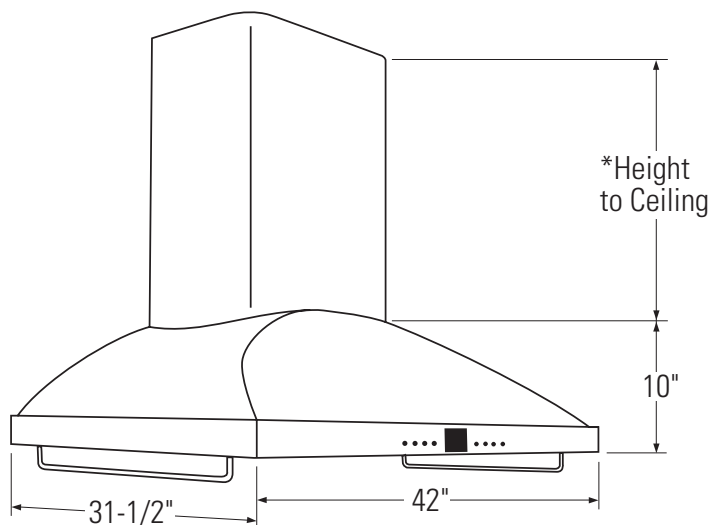
This vent hood must be installed 25-1/2" min. and 30" max. above the cooking surface. 30" is recommended for 8 ft. ceilings. 30" clearance will insure that the duct cover meets the ceiling. The cooking surface should be at least 36" above the floor. Installation will be easier if the vent hood is installed before the cooktop and countertop is installed.

- 9 ft. to 10 ft. ceilings may be 25-1/2" to 30" clearance.
- The distance between the cooking surface and the bottom of the hood must be at least 25-1/2". The 30" recommended installation height, above the standard 36" countertop, will insure duct cover fit to the ceiling. For 9 ft. and 10 ft. ceilings, the hood may be lowered to 25-1/2" over the cooking surface.

IMPORTANT

Clearances may vary due to type of cooking product and local codes. Check with local inspectors to be sure standard is applicable.

- When installing the Island Hood above a Monogram Professional Range or Cooktop, installation clearance must be at least 30".



ELEVATE EVERYTHING™



FEATURES AND BENEFITS

ELECTRONIC TOUCH CONTROLS

1050 CFM VERTICAL EXHAUST

DUAL BLOWERS

4 REMOVABLE FILTERS

4 HALOGEN LAMPS WITH 6 LEVELS OF INTENSITY

BRUSHED STAINLESS STEEL UTENSIL ROD

8" ROUND REQUIRED DUCT SIZE



ELEVATE EVERYTHING®

MONOGRAM