

# Installation Instructions

ZJ7000 and ZW9000  
Electric Warming Drawer

31-10700-5

12-14 GE  
monogram.com

Printed in the United States



**Monogram®**

# Safety Information

## BEFORE YOU BEGIN

Read these instructions completely and carefully.

- **IMPORTANT** – Save these instructions for local inspector's use.
- **IMPORTANT** – Observe all governing codes and ordinances.
- **Note to Installer** – Be sure to leave these instructions with the Consumer.
- **Note to Consumer** – Keep these instructions with your Owner's Manual for future reference.
- **Completion Time** – 1 to 3 hours.
- Proper installation is the responsibility of the installer. Product failure due to improper installation is not covered under the warranty. See Owner's Manual for warranty information.
- Use this appliance only for its intended purpose.
- Check with local utilities for electrical codes that apply in your area. Local codes vary. Installation electrical connections and grounding must comply with applicable codes. In the absence of local codes, the drawer should be installed in accordance with National Electrical Code ANSI/NFPA 70-1990 or latest edition.

## ⚠ WARNING

- This appliance must be properly grounded. See "Grounding the Appliance."
- Insure that the power cord does not contact the hot surface on the bottom of ovens, cooktops, or other appliances.
- If you received a damaged warming drawer, you should contact your dealer

For Monogram local service in your area,  
1.800.444.1845.

For Monogram Service in Canada,  
call 1.800.561.3344.

For Monogram Parts and Accessories,  
call 1.800.626.2002.

## ⚠ WARNING

An anti-tip brace must be installed to prevent the drawer from tipping forward when opened and loaded. Failure to do so could result in personal injury.

# Design Information

## CONTENTS

### Design Information

Models Available.....	3
Accessories.....	3
Product Dimensions.....	4
Grounding the Appliance .....	5

### Installation Preparation

Tools and Materials Required .....	6
Remove Packaging.....	6
Installation Options .....	7
Installation Below a Countertop .....	8
Provide Cabinet Support.....	9

### Installation Instructions

Step 1, Anti-Tip Brackets.....	9
Step 2, Install Warming Drawer .....	9
Custom Panel Accessory Kit Installation.....	10, 11
Professional Style Panel Accessory Kit Installation .....	12

## MODELS AVAILABLE

The warming drawers may be installed directly into a wall or wall oven cabinetry, or below a countertop.

### 30" Wide Model:

ZW9000

### 27" Wide Model:

ZJ7000

## FRONT PANEL ACCESSORIES

### ZXD27B, ZXD30B:

This kit provides for the installation of a custom front panel on 27" and 30" models.

**NOTE:** The original drawer front will be removed and discarded when this kit is used. The tubular handle can be reinstalled onto the custom panel with longer screws (not provided). Or, the original handle can be replaced with a custom handle of your choice. (Handle is not supplied.) Choose a custom handle to match or complement cabinetry hardware.

### ZXD9030P:

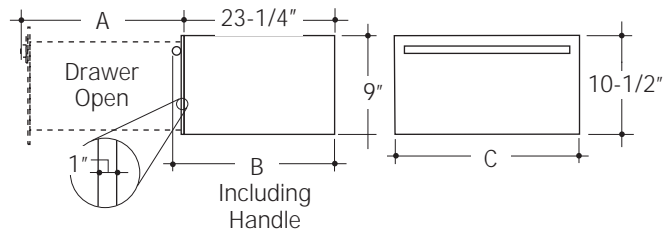
This kit provides for the installation of a stainless steel professional style door with handle for 30" models.

**NOTE:** The ZXD9030P professional drawer panel with handle is a one-piece assembly that replaces the original drawer front and tubular handle. The original tubular handle (or a custom handle) cannot be installed onto this professional drawer panel. This ZXD9030P accessory is designed to fit 30" warming drawers manufactured after January 2015.

For more Accessories or purchasing information please refer to Assistance/Accessories section of Monogram Warming Drawer Owner's Manual.

# Design Information

## PRODUCT DIMENSIONS AND CLEARANCES



Dimensions			
	A	B	C
ZW9000	22"	26"	30"
ZW9000 w/ZXD9030P	23-1/4"	27-1/2"	30"
ZJ7000	22"26"	26-3/4"	27"

# Design Information

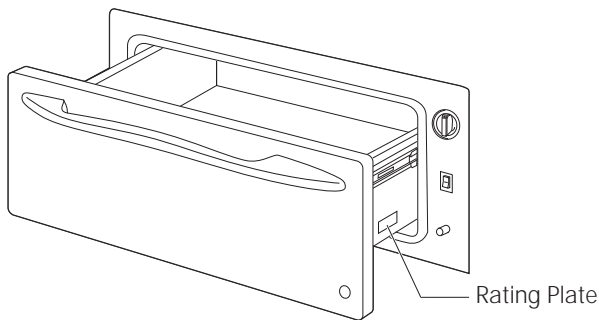
## GROUNDING THE APPLIANCE

### Please read carefully.

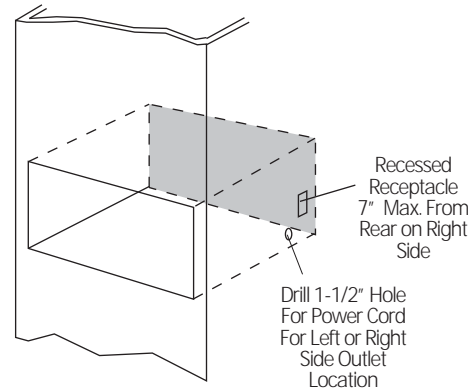
Do not use an extension cord or adapter plug with this appliance. Follow National electrical codes or prevailing local codes and ordinances.

This warming drawer must be supplied with 120V, 60Hz, and connected to an individual, properly grounded branch circuit, and protected by a 15 or 20 amp circuit breaker or time delay fuse.

- A properly grounded 3-prong receptacle should be located within reach of the drawers' 56" long power cord.



- Locate the receptacle in an adjacent cabinet.
  - within 42" of the right side or,
  - within 16" of the left side or,
  - A recessed receptacle may be located on the right side of the cutout, 7" from the back of the cabinet. In this location, the excess power cord should be coiled and taped to the right side of the unit.
- When two warming drawers are installed side to side, they can operate from the same receptacle.



### Please read carefully.

The power cord of this appliance is equipped with a 3-prong (grounding) plug that mates with a standard 3-prong grounding wall receptacle to minimize the possibility of electric shock. The customer should have the wall receptacle and circuit checked by a qualified electrician to make sure the receptacle is properly grounded and has the correct polarity.

- Where a standard 2-prong wall receptacle is encountered, it is the personal responsibility and obligation of the customer to have it replaced with a properly grounded 3-prong wall receptacle.

Do not, under any circumstances, cut or remove the third (ground) prong from the power cord.

**DO NOT USE AN EXTENSION CORD WITH THIS APPLIANCE.  
FOLLOW NATIONAL ELECTRICAL CODES AND ORDINANCES**

# Installation Preparation

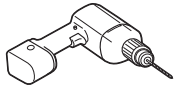
## TOOLS REQUIRED



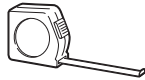
Hand Saw



Safety Glasses



Drill and  
1/16" Bit



Measuring Tape



Phillips Screwdriver



Level



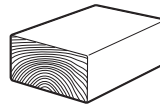
Cut Resistant Gloves

## MATERIALS REQUIRED (provided)

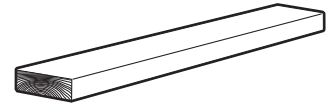


4 Wood Screws

## MATERIALS REQUIRED (not provided)



2x2 or 2x4  
Wood Block  
for Anti-Tip  
Security



2x2 or 2x4  
Lumber for  
Runners



Adhesive or other hardware for installing runners or shelf to support warmer drawer

Runners must be level, rigidly mounted and capable of supporting 150 pounds.

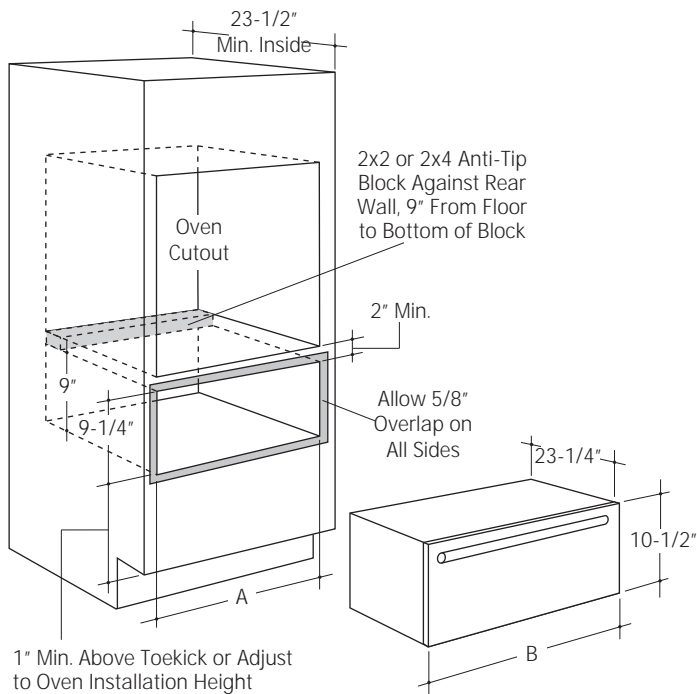
## REMOVE PACKAGING

Place Warming Drawer on carton or protective pad to prevent damage to drawer front or finished flooring.

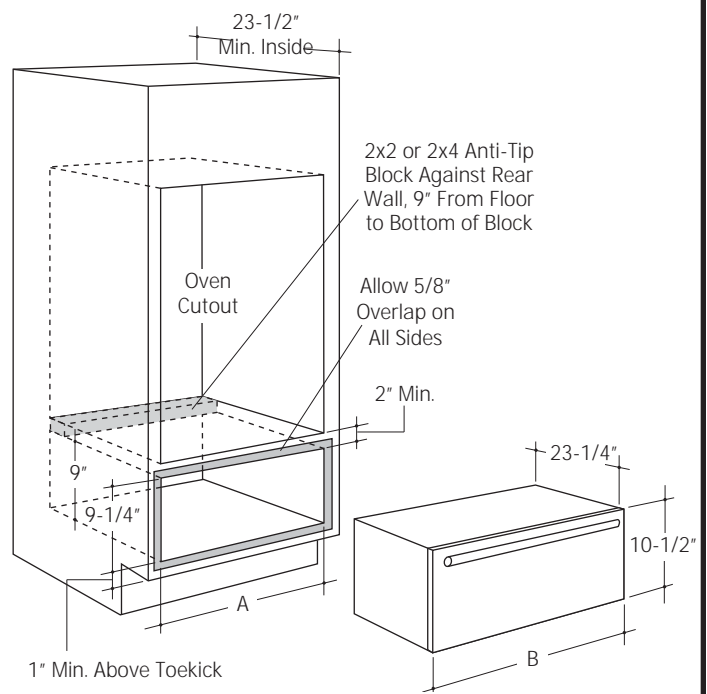
# Installation Preparation

## INSTALLATION OPTIONS

### Installation Below a Single Oven



### Installation Below a Double Oven



Dimensions		
	A	B
ZW9000	28-1/2"	30"
ZJ7000	25-1/2"	26-3/4"

**NOTE:** Additional clearance between cutouts may be required. Check to be sure that oven supports above the Warming Drawer location does not obstruct the required interior 23-1/2" depth and 9-1/4" height.

### When installed under a wall oven:

Warming drawers are approved for installation below only certain specified wall oven models. See the label attached to the top of the warming drawer for approved models.

- When installed, the front face of the drawer will be nearly flush with adjacent cabinetry doors.
- Drawer overlaps will conceal cut edges on all sides of the opening.

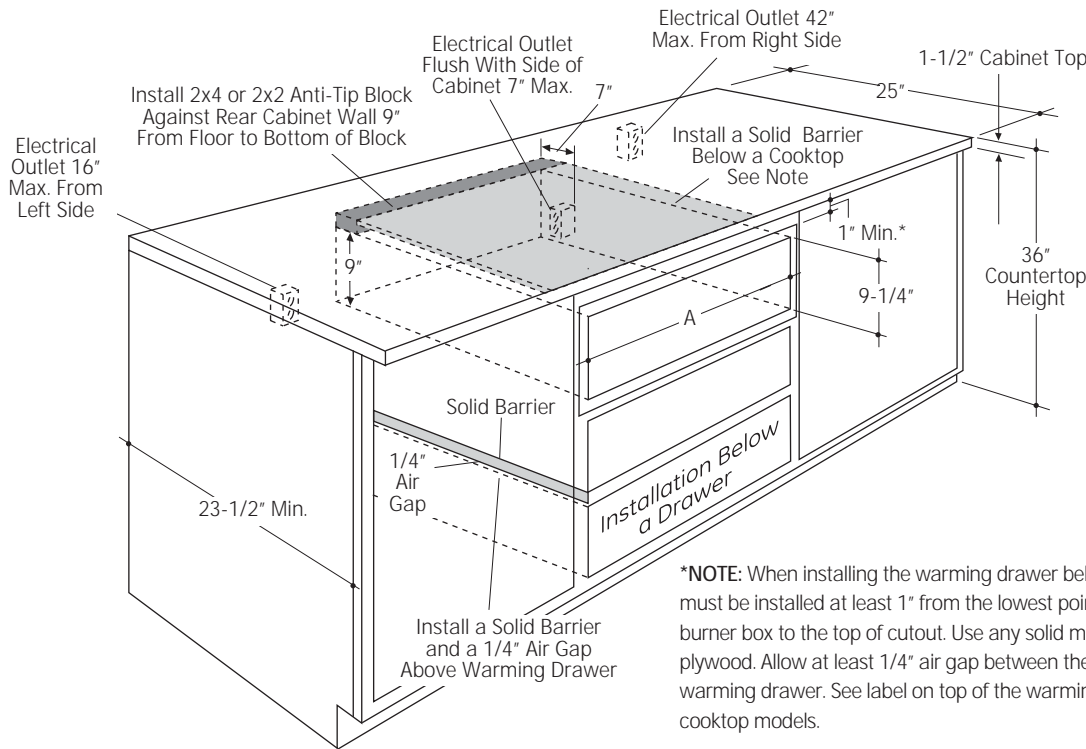
The rough opening for the drawer must be:

- Depth: 23-1/2" min. from inside back to front of cabinet frame.
- Width: 25-1/2" for 27" wide models, 28-1/2" for 30" wide models.
- Height: 9-1/4".
- Allow 2" min. between oven and drawer cutouts for clearance of overlaps.

**NOTE:** If you are installing in frameless cabinets, it may be necessary to install 1/2" wide cleats to accept drawer mounting screws. See drawer for mounting screw locations.

# Installation Preparation

## INSTALLATION BELOW A COUNTERTOP



Dimensions	
	A
ZW9000	28-1/2"
ZJ7000	25-1/2"

**\*NOTE:** When installing the warming drawer below a cooktop, a solid barrier must be installed at least 1" from the lowest point of the bottom of cooktop burner box to the top of cutout. Use any solid material such as 1/4" thick plywood. Allow at least 1/4" air gap between the barrier and the top of the warming drawer. See label on top of the warming drawer for approved cooktop models.

- When installed, the front face of the drawer will be nearly flush with adjacent cabinetry doors.
- Drawer overlaps will conceal cut edges on all sides of the opening.  
The rough opening for the drawer must be:
  - Depth: 23-1/2" min. from inside back to front of cabinet frame.
  - Width: 25-1/2" for 27" wide models, 28-1/2" for 30" wide models.
  - Height: 9-1/4".
- 5" min. above floor or 1" above toekick. 23-1/4" from floor to bottom of cutout is recommended for under countertop installation.

### Installation below a cooktop:

Warming drawers are approved for installation below only certain specified cooktop models. See the label attached to the top of the warming drawer for approved models. A solid barrier and air gap between cooktop and warming drawer is required. See Note above.

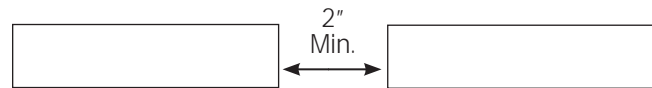
### Installation below a cabinet drawer:

The warming drawer may be installed beneath a cabinet drawer. In this installation, a solid barrier should be installed above the warming drawer to block access. Use any solid material such as 1/4" thick plywood. Allow at least 1/4" air gap between the barrier and the top of the warming drawer. Observe the 5" min. above the floor or 1" above the toekick minimum installation height.

**NOTE:** If you are installing in frameless cabinets, it may be necessary to install 1/2" wide cleats to accept drawer mounting screws. See drawer to find exact locations of mounting screws.

### Side to Side Installation:

Install two warming drawers in separate cutouts. Allow 2" min. between cutouts.

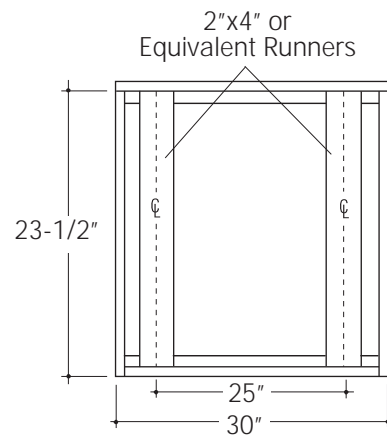
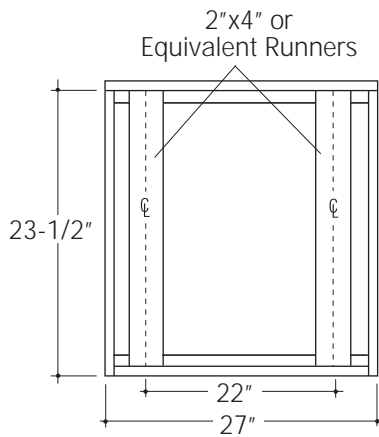


Side to Side Installation



# Installation

## PROVIDE CABINET SUPPORT



**IMPORTANT:** When installed below a single or double oven, check to be sure that any oven supports above the cutout do not obstruct the 23-1/2" required depth of the warming drawer cutout.

- A 2" min. clearance between oven and warming drawer cutouts are required. Additional clearance may be required if 2 x 4 blocks are used to support runners or solid floor of the oven above.
- The warmer drawer may be supported by either a solid bottom, 2 x 4 or 2 x 2 runners.

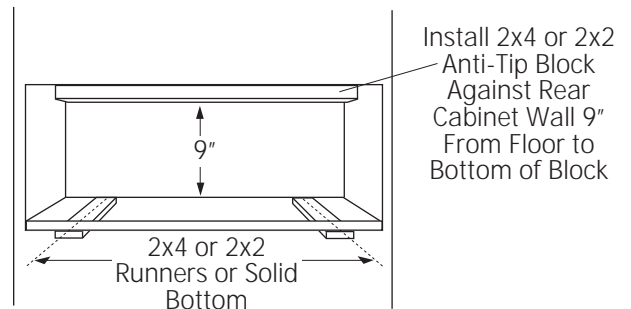
- The support must be level and rigidly mounted, flush with the bottom edge of the cutout.
  - There is no way to level the drawer once it has been installed. Be sure supports are level.
- The entire weight of the drawer is supported by the runners or solid floor and must be capable of supporting 150 lbs.

## INSTALL ANTI-TIP BRACKETS

### ⚠ WARNING

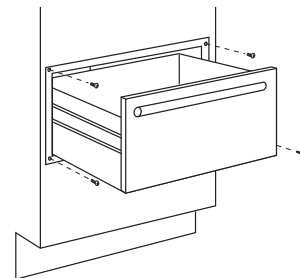
#### ANTI-TIP PRECAUTIONS

An anti-tip brace must be installed to prevent the drawer from tipping forward when opened and loaded. Failure to do so could result in personal injury.



## INSTALL WARMING DRAWER

- Slide the left corner of the drawer into the opening.
- Push the power cord into the hole leading to the outlet location. Thread the cord through as the drawer is being pushed back into the opening. Check to be sure the power cord does not get trapped under the drawer.
  - If the outlet is installed inside the opening, plug the cord into the outlet. In this location, the excess power cord length should be coiled and taped to the right side of the unit.
- Push the drawer back until the front flange is flush to the cabinet front.



- Open the drawer fully.
- Drill pilot holes through the holes in the overlapping frame, one on each corner.
- Drive the wood screws provided into each corner.

# Installation Instructions

## WARMING DRAWER CUSTOM PANEL ACCESSORY KIT ZXD27B AND ZXD30B

For installation of 27" and 30" wide warming drawer custom panel and custom handle.

### BEFORE YOU BEGIN

Read these instructions completely and carefully.

- **IMPORTANT** – Save these instructions for local inspector's use.
- **IMPORTANT** – Observe all governing codes and ordinances.
- **Note to Installer** – Be sure to leave these instructions with the consumer.
- **Note to Consumer** – Keep these instructions for future reference.
- **Skill level** – Installation of this custom panel kit requires a qualified installer or service technician.
- Proper installation is the responsibility of the installer.
- Product failure due to improper installation is NOT covered under the warranty.

### TOOL AND MATERIALS REQUIRED

- Safety Glasses
- Phillips screwdriver
- Drill and appropriate bits (Brad point recommended for drilling through wood panels)
- Custom panel
- Custom handle (optional)
- Adhesive recommended for metal to wood
- Adhesive recommended for plastic to wood

### PARTS SUPPLIED

- Lamp Jewel
- Metal mounting panel
- Bag of #6 size screws

This kit contains a mounting panel to support a trimless custom drawer front up to 3/4" thick. The tubular handle can be reinstalled onto the custom panel with longer screws (not provided). Or, the original handle can be replaced with a custom handle of your choice. (Handle is not supplied.) Choose a custom handle to match or complement cabinetry hardware.

**IMPORTANT:** The warming drawer should be installed according to the installation instructions packed with the product. The original drawer front will be removed and replaced with a custom panel.

- Cut edges of the drawer panel will be seen and must be finished for best appearance.

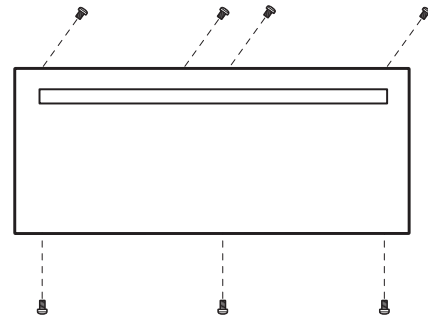
- The custom drawer front panel, both raised and flat design, should be constructed in the same manner as typical cabinet doors.
- Order the custom drawer panel from the cabinet manufacturer. Be sure to provide the exact dimensions so that the panel is constructed accurately.
- Order the optional custom handle to complement or match surrounding cabinetry handles.

### STEP 1 PREPARE DRAWER FOR PANEL INSTALLATION

- Open the drawer fully.
- Turn the warming drawer off.

### STEP 2 REMOVE ORIGINAL DRAWER FRONT

- Remove seven #8 screws. Remove four from top inside and three from bottom. Set these screws aside – they are no longer needed.
- Support the drawer front as you remove screws to prevent the possibility of falling.



### STEP 3 PREPARE CUSTOM PANEL

- The custom panel size is determined by the cabinetry dimensions and spacings.
- Once the custom panel size is determined, place the metal panel on the custom panel and check the squareness and correct placement of the metal panel, and mark the hole for the indicator light. Confirm that the hole marking provides the indicator light to the right side of the custom panel appearance side.
- Drill a 5/16" hole. A Brad point drill bit is recommended.

# Installation

## STEP 4 SECURE CUSTOM PANEL TO METAL MOUNTING PANEL

- Lay the custom panel, appearance side down, on a clean surface.
- Remove all tape and packing material from the metal panel.
- Place the flat side of the metal panel onto the back side of the custom panel, with the mounting flanges facing up.
- Align the lamp hole in the panel with the mounting panel.
- Confirm squareness and correct position of the metal panel to the custom panel.

## STEP 5 FOR PANELS LESS THAN 3/4" THICK

- Separate the custom panel and metal panel.
- Apply a few horizontal beads of adhesive to the metal panel. Avoid adhesive within 1" of lamp hole area and outer edges.

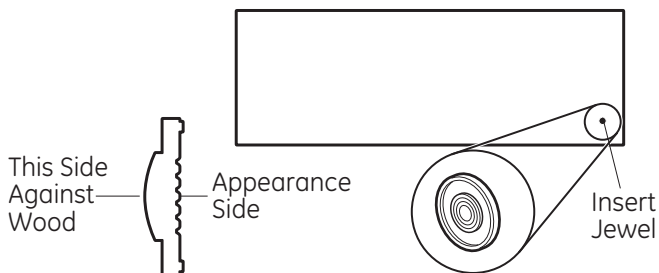
## STEP 5A FOR 3/4" (OR GREATER) THICK PANELS

- Separate the custom panel and metal panel.
- Use the metal panel as a template. Position the metal panel over the back side of the custom panel and drill pilot holes. Drill pilot holes sized to match screws being used (screws not provided).

**NOTE:** Select screw length carefully to avoid penetration of the finished side.

## STEP 6 INSTALL LAMP JEWEL

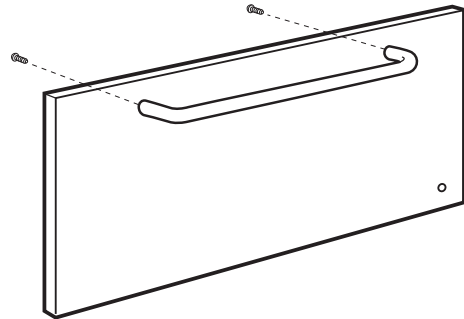
- Turn the assembly appearance side up.
- Use plastic to wood adhesive to secure the lamp jewel to the front of the wood panel. On the side with the bulge, (see illustration) apply a small bead of adhesive around the outside edge. Place the jewel into the drilled hole.



## STEP 7 REINSTALL ORIGINAL HANDLE OR OPTIONAL CUSTOM HANDLE

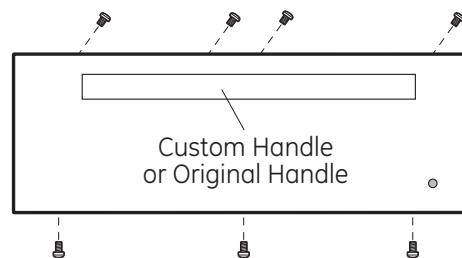
- A custom handle (not supplied) may be installed.
- Drill pilot holes through the front of the custom panel and through the metal panel to match the chosen handle.

**NOTE:** The handle screws should be installed through the metal panel, the custom panel and into the custom or original handle.



## STEP 8 INSTALL ASSEMBLED PANEL TO THE DRAWER

- Determine which holes in the metal panel line up with the holes in the exposed drawer front and marked the screw hole locations onto the custom panel.
- Drill 1/8" deep holes into the custom panel for clearance to the #6 screws. The #6 screws will extend into the custom panel slightly.
- Using the #6 screws supplied in the bag, install the custom panel assembly to the exposed drawer front with seven screws.
- The original #8 screws are not needed.



**NOTE:** Product improvement is a continuing endeavor at General Electric. Therefore, materials, appearance and specifications are subject to change without notice.

# Installation Instructions

## PROFESSIONAL STYLE PANEL ACCESSORY KIT

ZXD9030P

### BEFORE YOU BEGIN

Read these instructions completely and carefully.

- **IMPORTANT** – Save these instructions for local inspector’s use. Observe all governing codes and ordinances.
- **Note to Installer** – Be sure to leave these instructions with the Consumer.
- **Note to Consumer** – Keep these instructions for future reference.

### TOOL AND MATERIALS REQUIRED

- Phillips screwdriver

### PARTS SUPPLIED

#### Stainless Steel Professional Style Drawer Accessory

This kit contains a stainless steel professional style panel with a handle and a lamp jewel imbedded in the bottom right side. Install the warming drawer according to the installation instructions packed with the product.

**NOTE:** The ZXD9030P professional drawer panel with handle is a one-piece assembly that replaces the original drawer front and tubular handle. The original tubular handle (or a custom handle) cannot be installed onto this professional drawer panel. This ZXD9030P accessory is designed to fit 30" warming drawers manufactured after January 2015.

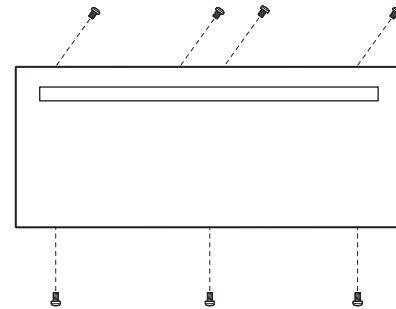
### STEP 1 PREPARE DRAWER FOR PANEL INSTALLATION

**IMPORTANT:** The drawer must be installed into the cabinet before opening the drawer.

- Open the drawer approximately halfway.
- Turn the warming drawer to "OFF."

### STEP 2 REMOVE ORIGINAL DRAWER FRONT

- Remove the three screws from the bottom of the drawer edge.
- Remove the four screws on the inside of the drawer at the top. Retain all screws.
  - Support the drawer front as you remove screws to prevent the front panel from falling.



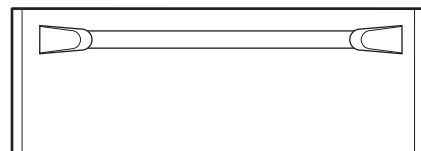
### STEP 3 REMOVE THE PACKAGING

- Open the carton and remove the panel. Remove all protective covering on both sides.

**CAUTION:** Keep all plastic material away from babies and small children. Plastic could pose a choking or suffocation hazard.

### STEP 4 INSTALL PANEL ONTO DRAWER

- Install the panel assembly to the exposed drawer front using the original 7 screws.



# Notes

---

# Notes

---

# Notes

---

**NOTE:** While performing installations described in this book, safety glasses or goggles should be worn.

*For Monogram® local service in your area, call 1.800.444.1845.*

**NOTE:** Product improvement is a continuing endeavor at General Electric. Therefore, materials, appearance and specifications are subject to change without notice.



**GE Appliances & Lighting**  
General Electric Company  
Appliance Park  
Louisville, KY 40225  
GEAppliances.com