

Belfield™ Accessories Technical Specification

Paper Holder

YB6408

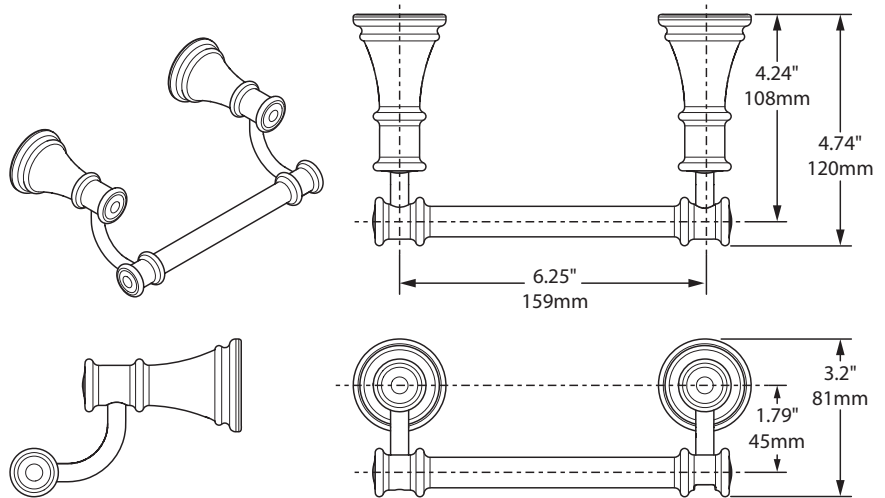
Stock Numbers:

- YB6408CH – Paper Holder
Chrome
- YB6408BN – Paper Holder
Brushed Nickel
- YB6408ORB – Paper Holder
Oil Rubbed Bronze
- YB6408NL – Paper Holder
Polished Nickel

Materials:

Paper Holder is constructed of zinc.

Dimensions:



Installation Instructions:

Directions below are for installation into drywall. If installing product into a stud, use the wood screws only.

1. Position the mounting template on the wall in the desired location.
2. Using a level, align the template and tape it to the wall.
3. Drill two 5/16" holes as indicated on the template
4. Remove the template from the wall
5. Fold ends of the plastic toggle together and insert into each hole in the wall.
6. Lightly tap anchors until flush with the wall.
7. One at a time, insert plastic in into each of the anchors and lightly tap to activate anchor. Remove pin and repeat on all anchors.
8. Remove mounting posts from the product assemblies by loosening each set screw.
9. Place the mounting plate on the wall over the installed wall anchors with "UP" facing you.
10. Insert screws through the mounting plate into the anchors. Tighten the screws.
11. Place each assembly over the mounting posts with the set screws facing down. Pivoting posts with bar should be on the left side. Tighten both set screws

Cleaning Instructions:

To preserve the fine finish of this product, clean only with a soft damp cloth. Dry well. Do not use commercial or abrasive cleaners.

Stock Number: _____ Paper Holder
By Moen Incorporated

MOEN®

25300 AL MOEN DRIVE • NORTH OLMSTED, OH 44070
CORPORATE HEADQUARTERS: (800) 321-8809 • FAX: (800) 848-6636
INTERNATIONAL: (440) 962-2000 • FAX: (440) 962-2726
CUSTOMER SERVICE (USA): 800-882-0116 • FAX: (888) 379-2720
WWW.MOEN.COM
©Copyright Moen Incorporated