

Banbury® Technical Specification

18" & 24" Towel Bars

Y2618 & Y2624

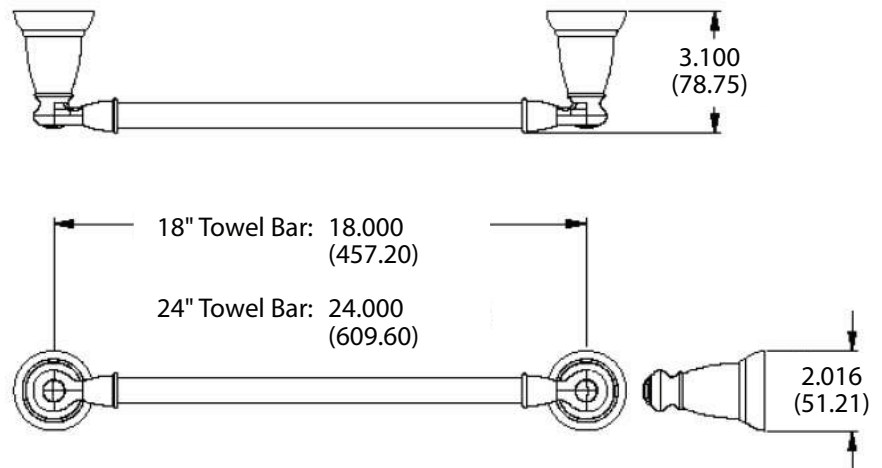
Stock Numbers:

- **Y2618BN – 18" Towel Bar**
Brushed Nickel Finish
- **Y2624BN – 24" Towel Bar**
Brushed Nickel Finish
- **Y2618BRB – 18" Towel Bar**
Mediterranean Bronze Finish
- **Y2624BRB – 24" Towel Bar**
Mediterranean Bronze Finish
- **Y2618CH – 18" Towel Bar**
Chrome Finish
- **Y2624CH – 24" Towel Bar**
Chrome Finish
- **Y2618BL – 18" Towel Bar**
Matte Black Finish
- **Y2624BL – 24" Towel Bar**
Matte Black Finish

Materials:

Towel Bar post is die cast from highest quality zinc alloy (Zamac). Casting is plated Chrome, Brushed Nickel, Matte Black or Mediterranean Bronze. **Towel Bar** is aluminum for Brushed Nickel, Matte Black and Chrome finishes and stainless steel for Mediterranean Bronze.

Dimensions:



Installation Instructions:

1. Position the mounting template on the wall in the desired location.
2. Using a level, align the template and tape it to the wall.
3. Drill two 5/16" holes at each mounting plate location that corresponds to your product.
4. We recommend using the horizontal holes for drywall installation.
5. Remove the template from the wall.
6. Fold ends of the plastic toggle together and insert into each hole in the wall.
7. Lightly tap anchors until flush with the wall.
8. One at a time, insert plastic pin into each of the anchors and lightly tap to activate anchor.
9. Remove pin and repeat on all anchors.
10. One at a time, place each mounting plate over anchors (notch facing downward) and insert screws through plate into anchors.
11. Tighten screws.
12. Position each end post with setscrews facing down and place over both mounting plates. Tighten the setscrews.

Cleaning Instructions:

To preserve the fine finish of this product, clean only with a soft damp cloth. Dry well. Do not use commercial or abrasive cleaners.

Stock Number: Y2618, 18 in. Towel Bar
Y2624, 24 in. Towel Bar

25300 AL MOEN DRIVE • NORTH OLMSTED, OH 44070
CORPORATE HEADQUARTERS: (800) 321-8809 • FAX: (800) 848-6636
INTERNATIONAL: (440) 962-2000 • FAX: (440) 962-2726
CUSTOMER SERVICE (USA): 800-882-0116 • FAX: (888) 379-2720
WWW.MOEN.COM

© 2021 Moen Incorporated. Moen is a registered trademark and Banbury is a trademark of Moen Incorporated. All rights reserved.

MOEN®