

FAUCET DESCRIPTION

- Metal construction with various finishes identified by suffix


OPERATION

- Lever style handle with temperature indicator on the escutcheon
- Variable volume control as handle is lifted in a 0 to 25° arc
- Temperature operates through an 110° arc of handle rotation (full cold to full hot)
- Adjustable temperature limit stop to control maximum hot water temperature
- Pressure balancing mechanism maintains selected discharge temperature to ± 2°F
- Transfer valve is rotary 360° handle operation when used with 3 devices, 120° handle operation when used with 2 devices with detents at each flow position

CARTRIDGE

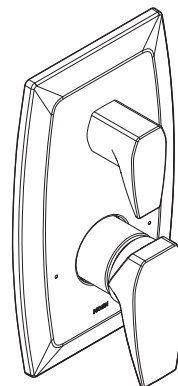
- 1213 Ceramic Disk Volume Control Cartridge
- Non-metallic/non-ferrous and plastic material
- Not compatible with back to back installations

STANDARDS

- Third party certified to ASME A112.18.1/CSA B-125-1, ASSE 1016 and all applicable requirements reference therein
- Moen's M-CORE® pressure balance system is capable to meet the pressure and temperature variation requirements of ASSE 1016 when tested as low as 1.5 gpm (5.68 L/min)
- ADA  for lever handle

WARRANTY

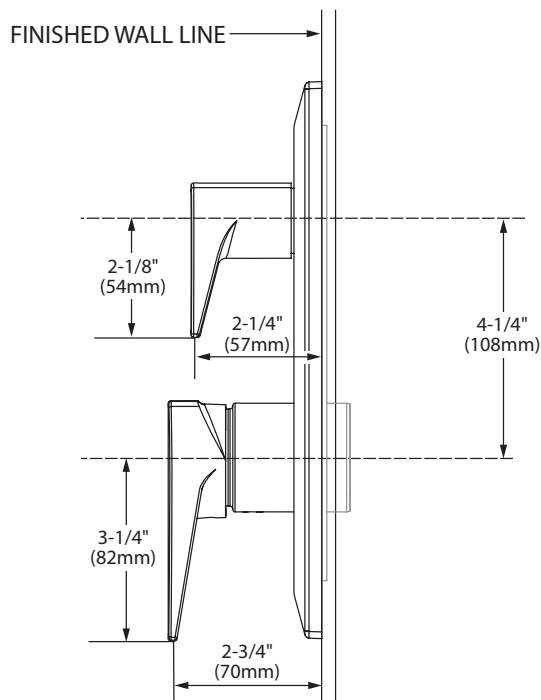
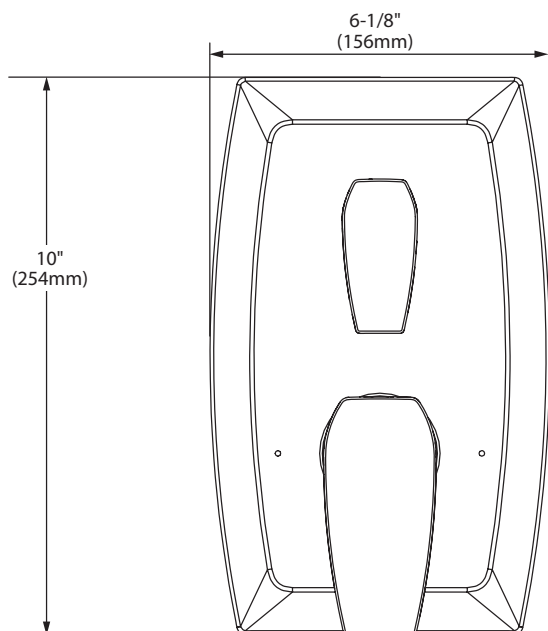
- Lifetime limited warranty against leaks, drips and finish defects to the original homeowner
 - 10 year limited warranty when used in a multifamily installation
 - 5 year limited warranty when used in a commercial installation
- Visit www.moen.com/support for complete details and limitations



VIA™ M-CORE™ 3-Series Valve Trim with Integrated Diverter

Models: UTS2811 Series

Valves: U232 Series and U362 Series



CRITICAL DIMENSIONS

(DO NOT SCALE)