

Technical Specification

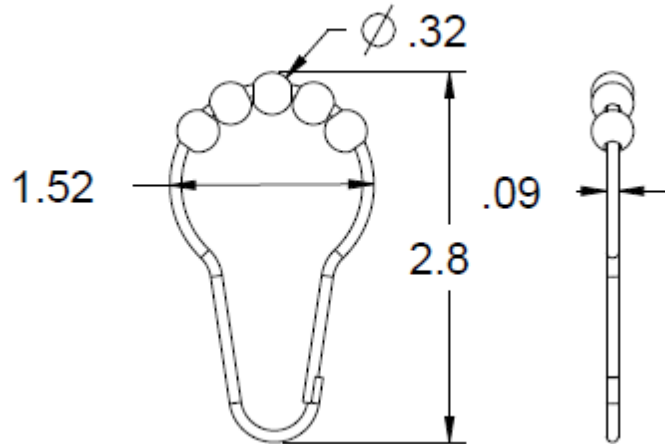
Shower Curtain Roller Rings

SR2100

Stock Numbers:

- ❑ **SR2100BN – Shower Curtain Roller Rings**
Brushed Nickel Finish
- ❑ **SR2100CH – Shower Curtain Roller Rings**
Polished Chrome Finish
- ❑ **SR2100OWB – Shower Curtain Roller Rings**
Old World Bronze Finish

Dimensions:



Materials:

Shower Curtain Roller Rings roller balls and ring are composed of Iron.

Installation Instructions:

1. Open clasp on ring.
2. Hang ring on shower curtain rod.
3. Thread open end through hole in shower curtain (start at the end of the shower curtain).
4. Close clasp on ring.
5. Repeat for remaining eleven (11) rings.

Cleaning Instructions:

To preserve the fine finish of this product, clean only with a soft damp cloth. Dry well. Do not use commercial or abrasive cleaners.

Stock Number: _____ **Shower**
Curtain Roller Rings By Creative Specialties



25300 AL MOEN DRIVE • NORTH OLMSTED, OH 44070
CORPORATE HEADQUARTERS: (800) 321-8809 • FAX: (800) 848-6636
INTERNATIONAL: (440) 962-2000 • FAX: (440) 962-2726
CUSTOMER SERVICE (USA): 800-882-0116 • FAX: (888) 379-2720
WWW.MOEN.COM

©Copyright Creative Specialties International

Literature # BA1487