

## DESCRIPTION

- Metal construction with various finishes identified by suffix
- 1/2" IPS connection

## OPERATION

- Flow levers operate counterclockwise through 180 degree arc with off at 6 o'clock and maximum flow at the 12 o'clock position.
- Shut off in clockwise direction


## FLOW

- 5.5 gpm @ 60 psi

## CARTRIDGE

- 1224 cartridge design
- Nonmetallic and stainless steel materials

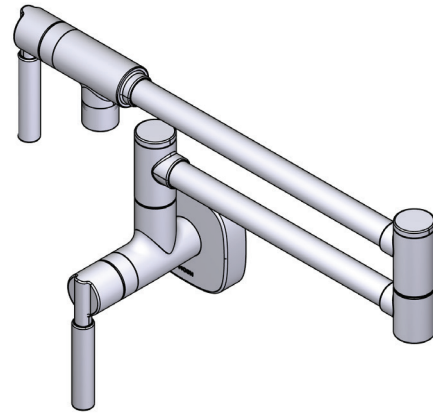
## STANDARDS

- Third party certified to ASME A112.18.1/CSA B125.1 and all applicable requirements therein including NSF 61/9 & 372
- Contains no more than 0.25% weighted average lead content
- Complies with California Proposition 65 and with the Federal Safe Drinking Water Act
- **ADA**  for lever handle

## WARRANTY

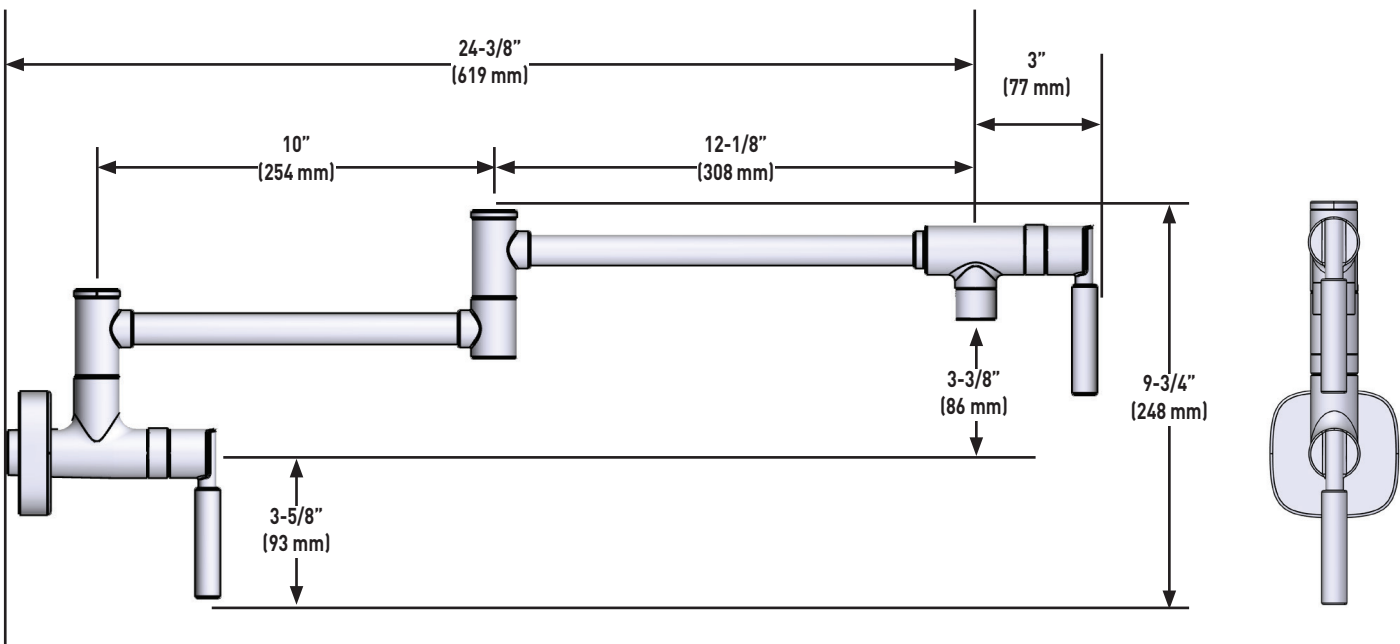
- Lifetime limited warranty against leaks, drips and finish defects to the original homeowner
- 10 year limited warranty when used in a multifamily installation
- 5 year limited warranty when used in a commercial installation

Visit [www.moen.com/support](http://www.moen.com/support) for complete details and limitations



**TENON**  
Pot-Filler Faucet

**MODELS:** S6652 Series



**CRITICAL DIMENSIONS** DO NOT SCALE