

DESCRIPTION

- Metal construction with various finishes identified by suffix
- 1/2" IPS connection

OPERATION

- Flow levers operate counterclockwise through 180 degree arc with off at 6 o'clock and maximum flow at the 12 o'clock position.
- Shut off in clockwise direction

FLOW

- 5.5 gpm @ 60 psi

CARTRIDGE

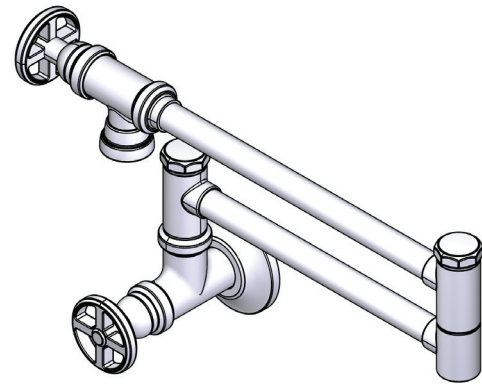
- 1224 cartridge design
- Nonmetallic and stainless steel materials

STANDARDS

- Third party certified to ASME A112.18.1/CSA B125.1 and all applicable requirements therein including NSF 61/9 & 372
- Complies with California Proposition 65 and with the Federal Safe Drinking Water Act

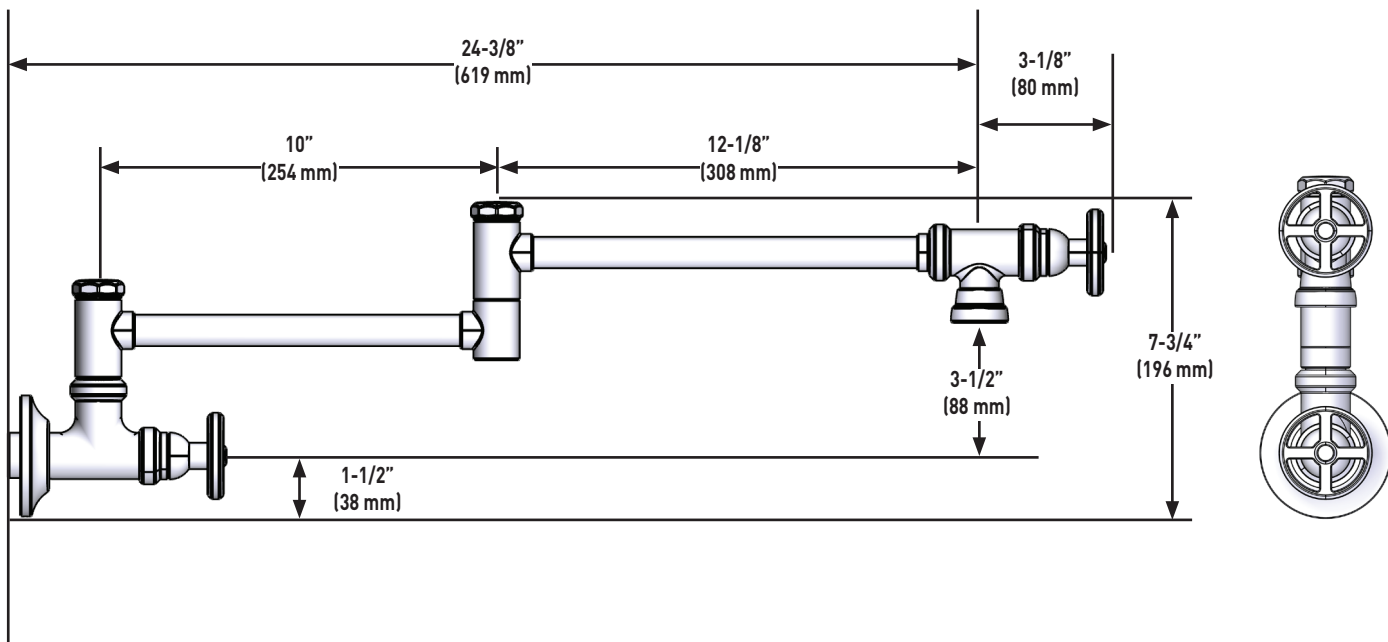
WARRANTY

- Lifetime limited warranty against leaks, drips and finish defects to the original homeowner
 - 10 year limited warranty when used in a multifamily installation
 - 5 year limited warranty when used in a commercial installation
- Visit www.moen.com/support for complete details and limitations



PATERSON
Pot-Filler Faucet

MODELS: S6642 Series



CRITICAL DIMENSIONS DO NOT SCALE