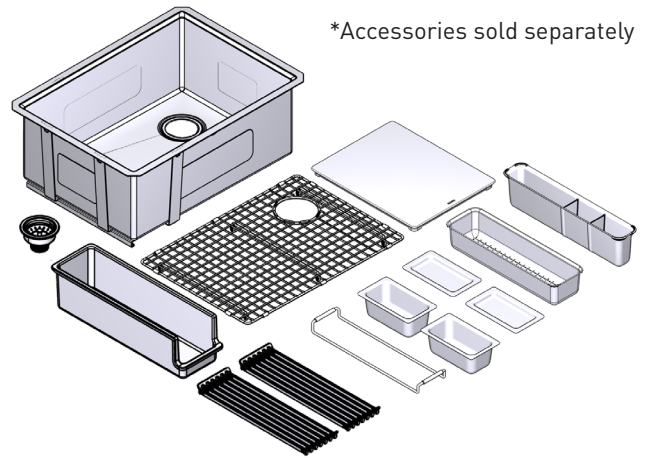


Model Number	Depth-Inches	Drain Placement
GS161600R	10"	Rear (Right)



*Accessories sold separately

SINK DESCRIPTION

- 1600 Series single bowl under mount sink
- 16 gauge stainless steel, brushed finish
- 10 mm corner radius
- SoundSHIELD™ sound absorbing system
- Easy Clean Angled Ledge
- Sloped Basin for Drainage

STANDARDS

- Third party certified to meet ASME A112.19.3/CSA B45.4 and all applicable specifications referenced therein

WARRANTY

- Lifetime limited warranty to the original homeowner
- 10 year limited warranty when used in a Multi-family installation
- 5 year limited warranty when used in a Commercial installation
- 1 year limited warranty on accessories
- Visit www.moen.com/customer-support/warranty for complete details and limitations

SINK DIMENSIONS

- Minimum cabinet size: 30"
- Overall: 27" x 19-5/8"
- Bowl: 24-1/2" x 17-1/8"
- Drain Size: 3-1/2"

CUT OUT DIMENSIONS

- Cut out template included

ACCESSORIES

Hand wash only

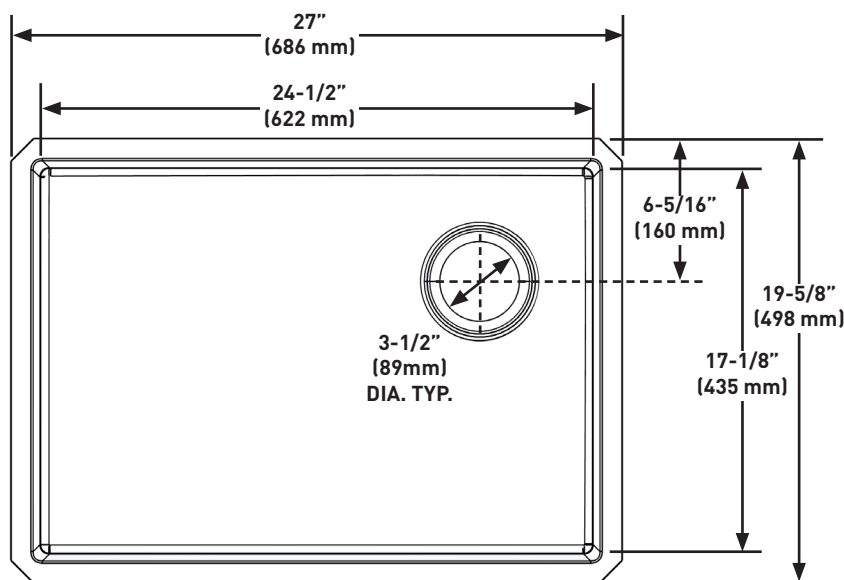
- Sink Grid
- Drain Assembly and Basket Strainer
- Clear Underneath Storage Bin
- White Oak or Acacia Cutting Board – sold separately
- Stainless Steel Prep Bin Holder – sold separately
- Stainless Steel Colander – sold separately
- Stainless Steel Utensil Holder – sold separately
- Stainless Steel Prep Bins & Clear Lids (x2) – sold separately

Dishwasher safe

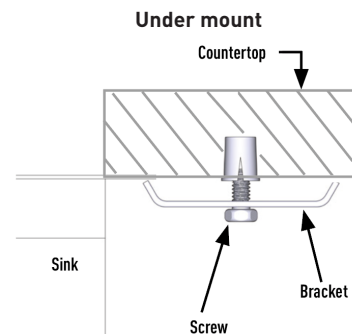
- Stainless Steel Drying Racks (x2) – sold separately

CRITICAL DIMENSIONS

(DO NOT SCALE)



Installation Detail



CRITICAL DIMENSIONS DO NOT SCALE