

# MOEN®

## DESCRIPTION

- Metal construction with various finishes identified by suffix
- Shower Only kits include showerhead, arm, flange
- Tub/shower kits include showerhead, arm, flange and diverter spout

## OPERATION

- Flow lever operates counterclockwise through a 100° arc with shut off at 6 o'clock and maximum flow at the 2 o'clock position. Shut off in clockwise direction
- Temperature lever operates through a 200° arc with maximum cold at full clockwise rotation and maximum hot at full counterclockwise rotation
- Factory established temperature range from 70°F (21°C) to 120°F (49°C)
- Adjustable temperature limit stop to control maximum hot water temperature
- Thermostatic and pressure balancing mechanism maintains selected discharge temperature to +/- 3.6°F (+/- 2°C)

## FLOW

- EP suffix models contain a showerhead limited to 1.75 gpm (6.6 L/min)

## CARTRIDGE

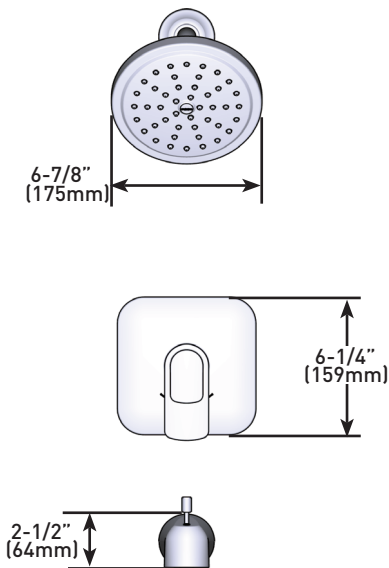
- 1214 Thermostatic and pressure balancing cartridge design with non-metallic/nonferrous materials
- Not compatible with back to back installations

## STANDARDS

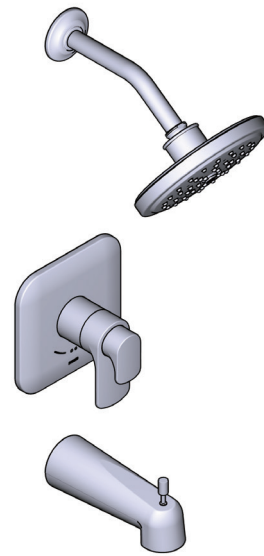
- Third party certified to ASME A112.18.1/CSA B-125-1, ASSE 1016/ASME A112.1016/CSA B.125.16 and all applicable requirements reference therein
- Moen's M-CORE™ thermostatic and pressure balance system is capable of meeting the pressure and temperature variation requirements of ASSE 1016/ASME A112.1016/CSA B125.16 when tested as low as 1.5 gpm (5.7 L/min)
- EP suffix models are third party certified to EPA WaterSense®
- ADA compliant for lever handle

## WARRANTY

- Lifetime limited warranty against material or manufacturing defects to the original homeowner
- 10 year limited warranty when used in a multifamily installation
- 5 year limited warranty when used in a commercial installation
- Visit [www.moen.com/support](http://www.moen.com/support) for complete details and limitations



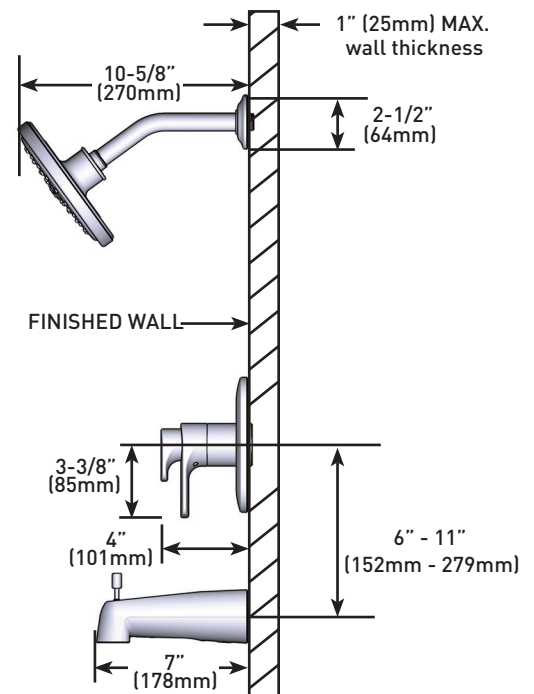
# Specifications



## Rizon™ M-CORE™ 4-Series Tub/Shower Trim

**MODELS:** UT4813EP/NH Series - Tub/Shower Trim  
 UT4812EP/NH Series - Shower Trim  
 UT4811 Series - Valve Trim

**Valves:** U130 Series and U140 Series



**CRITICAL DIMENSIONS DO NOT SCALE**