

Modern Technical Specification

Designer Grab Bar

MD8716, MD8724, MD2209

Model Numbers:

- MD2209CH - 9" Grab Bar**
Chrome Finish
- MD8716CH - 16" Grab Bar**
Chrome Finish
- MD8724CH - 24" Grab Bar**
Chrome Finish

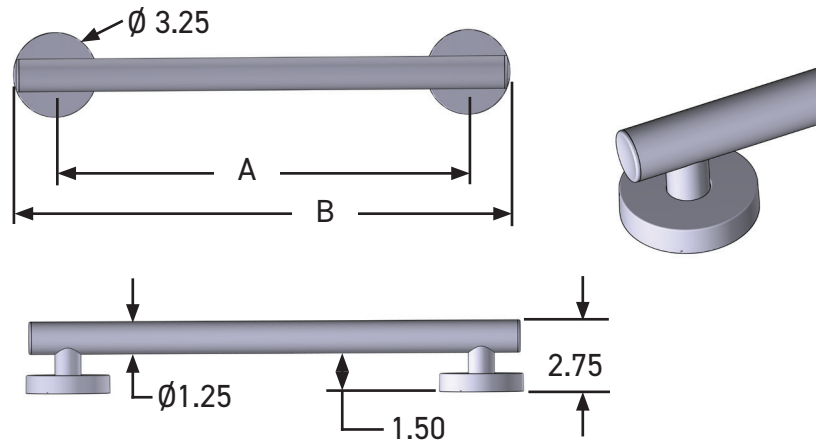
- MD2209BN - 9" Grab Bar**
Brushed Nickel
- MD8716BN - 16" Grab Bar**
Brushed Nickel
- MD8724BN - 24" Grab Bar**
Brushed Nickel

- MD2209BL - 9" Grab Bar**
Matte Black
- MD8716BL - 16" Grab Bar**
Matte Black
- MD8724BL - 24" Grab Bar**
Matte Black

Materials:

Grab Bar posts and bars are constructed of stainless steel.

Dimensions:



	Dim. A	Dim. B
MD8716	16.00	19.25
MD8724	24.00	27.25
MD2209	9.00	12.25

Installation Instructions:

1. Please note that screws **MUST** be mounted into a wood stud for secure installation.
2. Decide whether you would like to position your grab bar horizontally, vertically or at an angle, remembering that **BOTH** ends of the grab bar **MUST** be positioned over a wood stud (unless using secure mount anchors).
3. For easier installation and mounting remove 3 set screws from each flange and remove bar from SecureMount™ Flange.
4. Remove cover and re-assemble flange to bar by tightening 3 set screws.
5. Place grab bar and mark three mounting locations on each of the two grab bar flanges with a pencil.
6. Drill 1/8" diameter pilot holes at each screw location. Make sure to drill into the stud.
7. Install 3 screws and washers each SecureMount™ flange and tighten until secure. If desired, apply silicone caulk to the back of the SecureMount™ plate to guard against water penetration.
8. After screws are installed each side, dis-assemble bar from Secure Mount™ flange by removing set screws.
9. Re-install covers.
10. Place bar over SecureMount™ flanges and tighten all set screws.
11. Snap on covers.

Cleaning Instructions:

To preserve the fine finish of this product, clean only with a soft damp cloth. Dry well. Do not use commercial or abrasive cleaners.

Model Number: MD8716, MD8724, MD2209 Grab Bar

25300 AL MOEN DRIVE • NORTH OLMSTED, OH 44070
CORPORATE HEADQUARTERS: (800) 321-8809 • FAX: (800) 848-6636
INTERNATIONAL: (440) 962-2000 • FAX: (440) 962-2726
CUSTOMER SERVICE (USA): 800-882-0116 • FAX: (888) 379-2720
WWW.MOEN.COM
© 2021 Moen Incorporated. Moen is a registered trademark

MOEN®