

Contemporary Technical Specification

Towel Bars

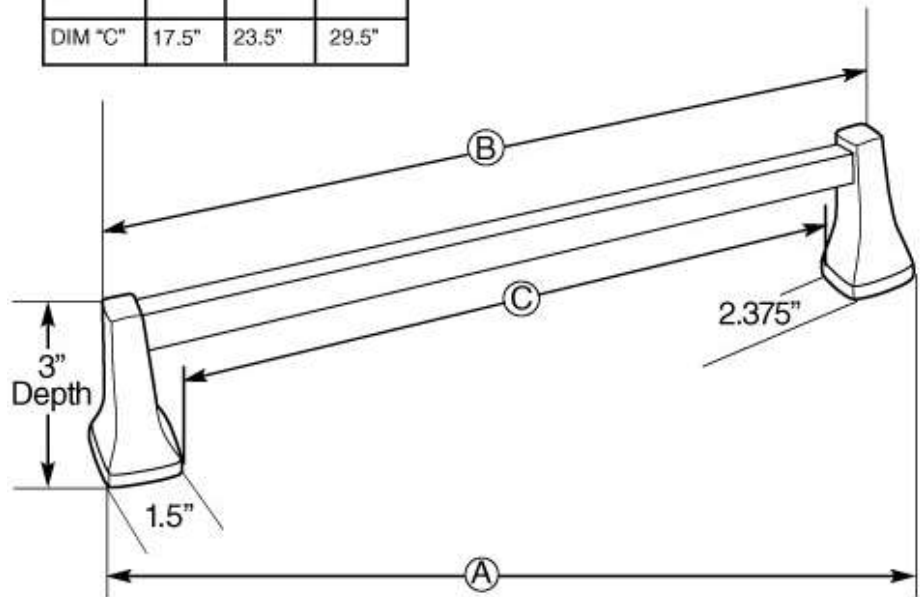
P5118, P5124, P5130

Stock Numbers:

- **P5118 – 18" Towel Bar**
Polished Chrome Finish
Concealed Screw Mounting
3/4" Square Bar
- **P5124 – 24" Towel Bar**
Polished Chrome Finish
Concealed Screw Mounting
3/4" Square Bar
- **P5130 – 30" Towel Bar**
Polished Chrome Finish
Concealed Screw Mounting
3/4" Square Bar

Dimensions:

LENGTH	18"	24"	30"
DIM "A"	19.75"	25.75"	31.75"
DIM "B"	18.75"	24.75"	30.75"
DIM "C"	17.5"	23.5"	29.5"



Materials:

Towel Bars posts are die cast from highest quality zinc alloy (zamac). Bars are square aluminum. Posts and bars are triple plated with a polished brass or polished chrome finish.

Installation Instructions:

1. Remove mounting brackets from back of fixtures by loosening the set screws.
2. Position assembled unit on wall in desired location.
3. Lightly mark the outlines of the bases of the unit.
4. Center mounting brackets inside the outline.
5. Mark hole locations. Attach brackets to wall using 1 3/8" screws (provided).
6. Mount bases on brackets. Tighten set screws on the bottoms.

Note: Wood blocking is preferable behind all wall surfaces.

If wood blocking is not available, the following optional fasteners are suggested: Tile/Masonry – Plastic or Lead Anchors; Plaster/Drywall – Toggle Bolts.

Cleaning Instructions:

To preserve the fine finish of this product, clean only with a soft damp cloth. Dry well. Do not use commercial or abrasive cleaners.

Stock Number: _____ Towel Bar
By Creative Specialties



25300 AL MOEN DRIVE • NORTH OLMSTED, OH 44070
CORPORATE HEADQUARTERS: (800) 321-8809 • FAX: (800) 848-6636
INTERNATIONAL: (440) 962-2000 • FAX: (440) 962-2726
CUSTOMER SERVICE (USA): 800-882-0116 • FAX: (888) 379-2720
WWW.MOEN.COM

©Copyright Creative Specialties International

Literature #BA0992