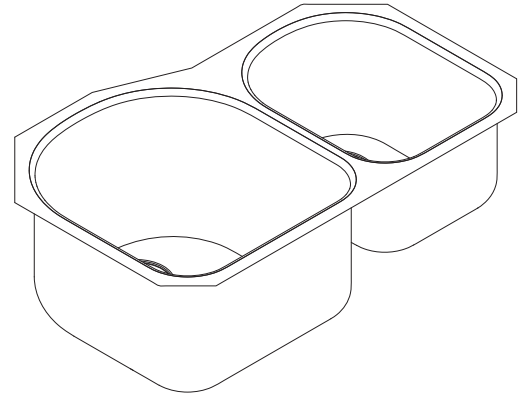


| Model Number | Faucet Holes | Depth-Inches | Drain Placement |
|-------------------------------|--------------|--------------|-----------------|
| GS18264B <i>(pictured)</i> | N/A | L:10", R:8" | Rear (Center) |
| GS18265B | N/A | 8" | Rear (Center) |



SINK DESCRIPTION

- 1800 Series double bowl undermount sink
- 18 gauge stainless steel, brushed finish
- Mounting brackets included, no other hardware included
- SoundSHIELD™ sound absorbing system

WARRANTY

- Lifetime limited warranty to the original homeowner
- 10 year limited warranty when used in a Multi-family installation
- 5 year limited warranty when used in a Commercial installation
- Visit www.moen.com/customer-support/warranty for complete details and limitations

SINK DIMENSIONS

- Overall: Offset Bowls 31-1/4" x 20"
- Left Bowl: 16" x 17-1/2"
- Right Bowl: 11-1/2" x 15"
- Drain Size: 3-5/8"

CUT OUT DIMENSIONS

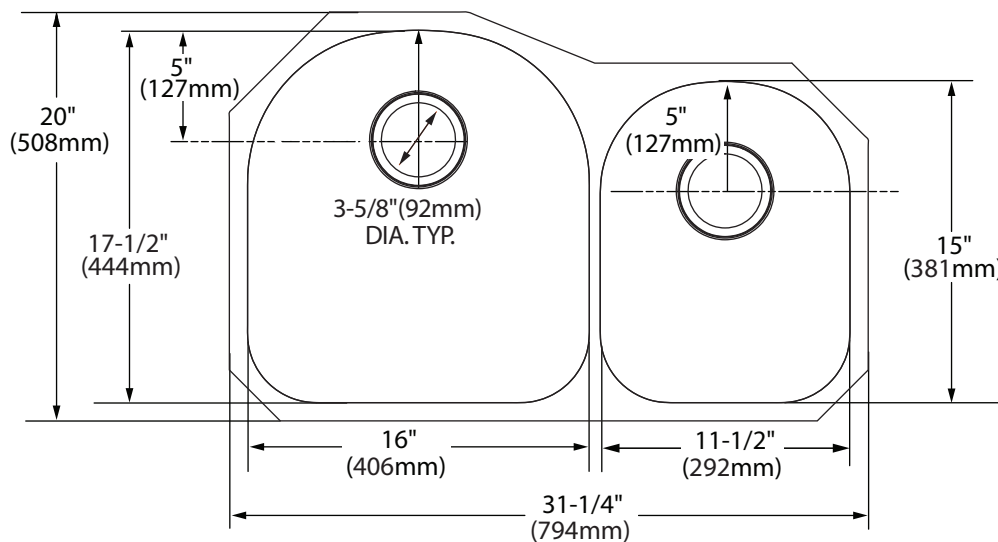
- Cut out template included
- Template ordering number 22522

STANDARDS

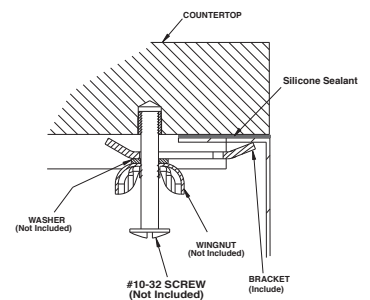
- Third party certified to meet ASME A112.19.3/CSA B45.4 and all applicable specifications referenced therein

CRITICAL DIMENSIONS

(DO NOT SCALE)



Installation Detail



MADE IN THE USA