

Glenshire® Technical Specification

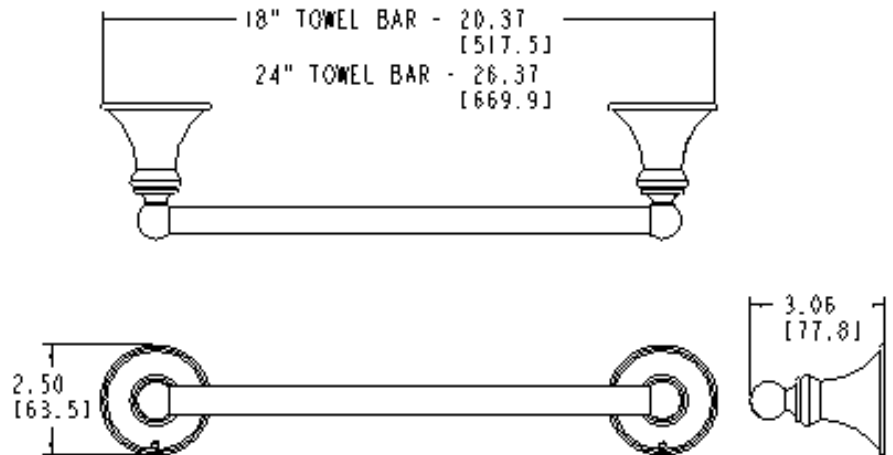
18" & 24" Towel Bar

DN2618 & DN2624

Stock Numbers:

- ❑ **DN2618BN – 18" Towel Bar**
Brushed Nickel Finish
- ❑ **DN2624BN – 24" Towel Bar**
Brushed Nickel Finish
- ❑ **DN2618CH – 18" Towel Bar**
Chrome Finish
- ❑ **DN2624CH – 24" Towel Bar**
Chrome Finish

Dimensions:



Materials:

Towel bar posts are constructed of zinc. Bar is constructed of brass (BN) or aluminum (CH).

Installation Instructions:

Directions below are for installation into drywall. If installing product into a stud, use the wood screws only.

1. Position the mounting template on the wall in the desired location.
2. Using a level, align the template and tape it to the wall.
3. Drill two 5/16" holes at each mounting post location that corresponds to your product.
4. Remove the template from the wall.
5. Fold ends of the plastic toggle together and insert into each hole in the wall.
6. Lightly tap anchors until flush with the wall.
7. One at a time, insert plastic pin into each of the anchors and lightly tap to activate anchor. Remove pin and repeat on all anchors.
8. Remove mounting posts from the product assemblies by loosening each setscrew.
9. One at a time, place each mounting post over anchors (with UP facing you) and insert screws through post into anchors.
10. Tighten screws.
11. Assemble the towel bar and posts.
12. While assembled, position each end post with setscrews facing down and place over both mounting posts. Tighten the setscrew at the bottom of each post.

Cleaning Instructions:

To preserve the fine finish of this product, clean only with a soft damp cloth. Dry well. Do not use commercial or abrasive cleaners.

Stock Number: _____ **Towel Bar**
By Creative Specialties



25300 AL MOEN DRIVE • NORTH OLMSTED, OH 44070
CORPORATE HEADQUARTERS: (800) 321-8809 • FAX: (800) 848-6636
INTERNATIONAL: (440) 962-2000 • FAX: (440) 962-2726
CUSTOMER SERVICE (USA): 800-882-0116 • FAX: (888) 379-2720
WWW.MOEN.COM

©Copyright Creative Specialties International

Literature #BA1247