

Hensley™ Technical Specification

18" & 24" Towel Bar

MY3518, MY3524

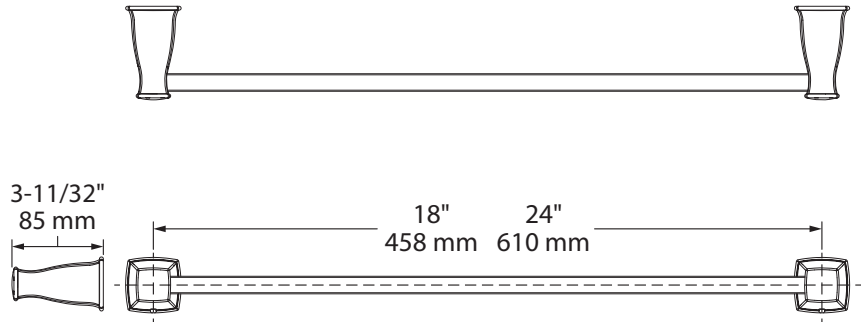
Stock Numbers:

- **MY3518CH – Towel Bar**
Chrome Finish
- **MY3518BN – Towel Bar**
Brushed Nickel
- **MY3518BL – Towel Bar**
Matte Black
- **MY3524CH – Towel Bar**
Chrome Finish
- **MY3524BN – Towel Bar**
Brushed Nickel
- **MY3524BL – Towel Bar**
Matte Black

Materials:

Towel Bar Posts are constructed of zinc.
Bar is constructed of brass.

Dimensions:



Installation Instructions:

1. Please refer to the product instruction sheets for installation steps.

Cleaning Instructions:

To preserve the fine finish of this product, clean only with a soft damp cloth.
Dry well. Do not use commercial or abrasive cleaners.

Stock Number: _____ Towel Bar
By Moen Incorporated

MOEN®

25300 AL MOEN DRIVE • NORTH OLMSTED, OH 44070
CORPORATE HEADQUARTERS: (800) 321-8809 • FAX: (800) 848-6636
INTERNATIONAL: (440) 962-2000 • FAX: (440) 962-2726
CUSTOMER SERVICE (USA): 800-882-0116 • FAX: (888) 379-2720
WWW.MOEN.COM

© 2020 Moen Incorporated. Moen is a registered trademark and Hensley is a trademark of Moen Incorporated. All rights reserved.