

DESCRIPTION

- All metal construction with Chrome finish
- 1/2" IPS connections
- 8" widespread
- No lift rod hole in models without drain
- Vandal resistant aerator and handle assembly
- Red and Blue plastic temperature indicators

OPERATION

- Lever style handles


FLOW

- Water usage is limited to these maximum flow rates as indicated by the corresponding product markings
- ° 1.2 gpm max (4.5L/min) at 60 psi

CARTRIDGE

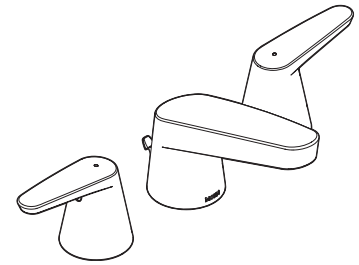
- 1234 cartridge design
- 1/4 turn operation

STANDARDS

- Third party certified to WaterSense,® ASME A112.18.1/CSA B125.1, and all applicable requirements referenced therein
- Certified to NSF 61/9 & 372
- Products marked with 1.2 gpm are compliant with California water efficiency regulations
- Complies with California Proposition 65 and with the Federal Safe Drinking Water Act
- ADA  for lever handles

WARRANTY

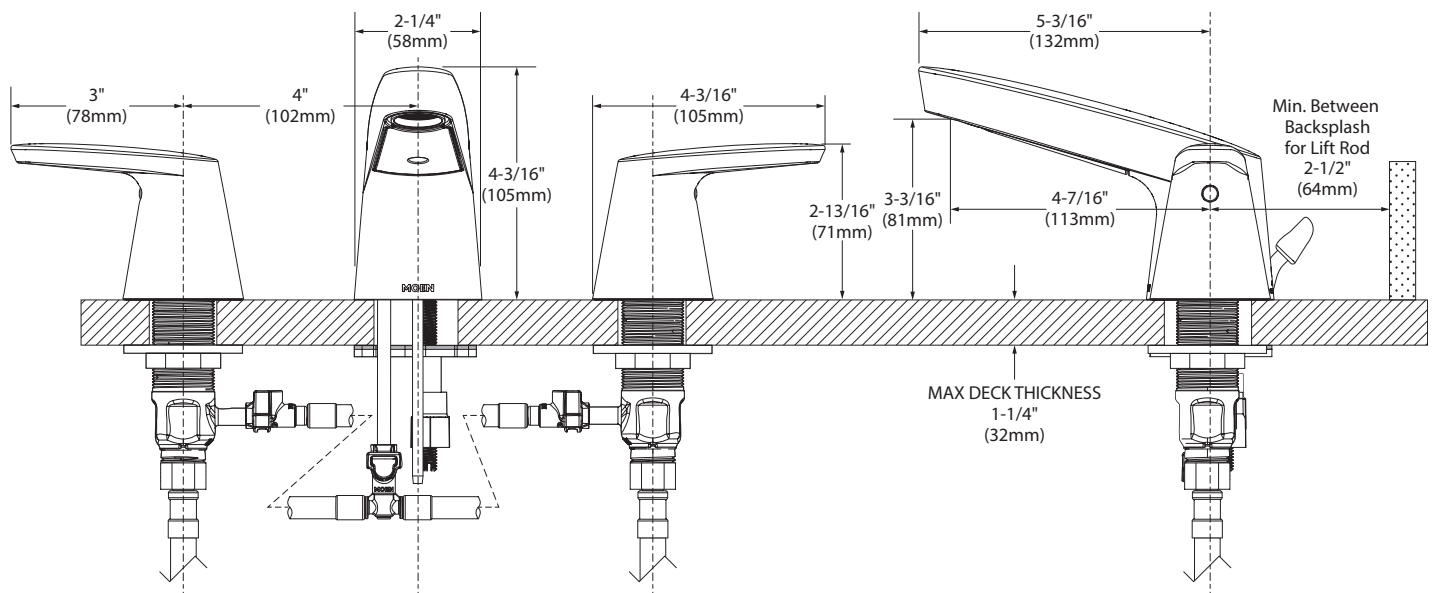
- 5 year limited warranty



M•Bition™ Widespread Lavatory Faucet

Models: 9921 (no lift rod)
9922 (lift rod)

NOTE: THIS FAUCET IS DESIGNED TO BE INSTALLED THRU 3 HOLES, 1" MIN. DIA.



CRITICAL DIMENSIONS

(DO NOT SCALE)