

Economy Technical Specification

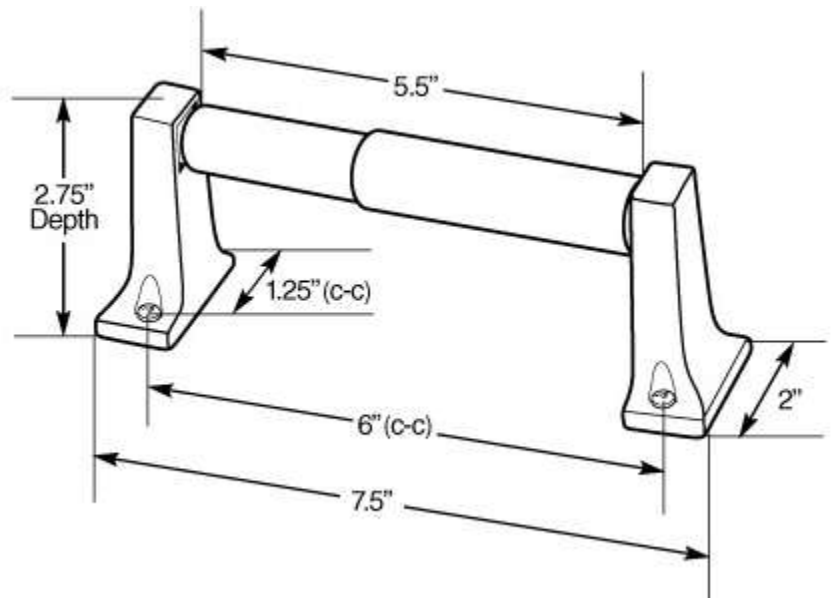
Paper Holder

908

Stock Numbers:

- **908 – Paper Holder**
Polished Chrome Finish
Metal Body
Exposed Screw Mounting
White Roller

Dimensions:



Materials:

Paper Holder posts are die cast from highest quality zinc alloy (zamac) or injection molded with plastic. Castings are triple plated with a polished chrome finish. Roller is made of plastic and spring loaded.

Installation Instructions:

1. Place unit on wall in desired location.
 2. Mark location of holes. Drill starter holes.
 3. Attach unit to wall with 1 1/2" screws (provided).
- Note: Wood blocking is preferable behind all wall surfaces. If wood blocking is not available, the following optional fasteners are suggested: Tile/Masonry – Plastic or Lead Anchors; Plaster/Drywall – Toggle Bolts.

Cleaning Instructions:

To preserve the fine finish of this product, clean only with a soft damp cloth. Dry well. Do not use commercial or abrasive cleaners.

Stock Number: _____ **Paper Holder**
By Creative Specialties



25300 AL MOEN DRIVE • NORTH OLMSTED, OH 44070
CORPORATE HEADQUARTERS: (800) 321-8809 • FAX: (800) 848-6636
INTERNATIONAL: (440) 962-2000 • FAX: (440) 962-2726
CUSTOMER SERVICE (USA): 800-882-0116 • FAX: (888) 379-2720
WWW.MOEN.COM

©Copyright Creative Specialties International

Literature #BA1637