

MOEN®

Specifications

DESCRIPTION

- Metal construction with various finishes identified by suffix
- Flexible supply lines with 3/8" compression fittings
- Includes metal pop-up waste assembly
- Includes optional 3 hole deck plate (escutcheon)

OPERATION

- Lever style handle with hot/cold temperature indicators
- Temperature controlled by 100° arc of handle travel

FLOW

- Water usage is limited to these maximum flow rates as indicated by the corresponding product markings 1.2 gpm max (4.5L/min) at 60 psi

CARTRIDGE

- 1255™ Duralast™ cartridge
- Nonmetallic/nonferrous and ceramic material

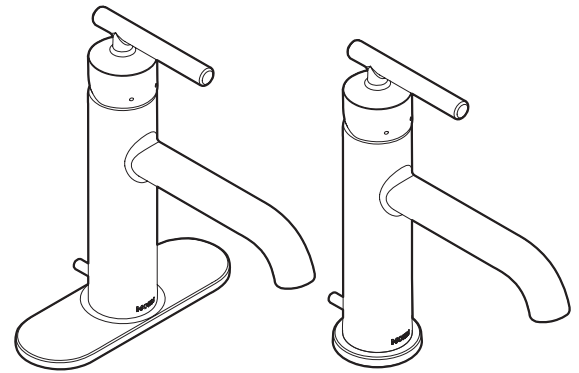
STANDARDS

- Third party certified to WaterSense®, ASME A112.18.1/CSA B125.1, and all applicable requirements referenced therein
- Certified to NSF 61/9 & 372
- Products marked with 1.2 gpm are compliant with California water efficiency regulations
- Complies with California Proposition 65 and with the Federal Safe Drinking Water Act
- **ADA** ♿ for lever handle

WARRANTY

- Lifetime limited warranty against leaks, drips and finish defects to the original homeowner
- 10 year limited warranty when used in a multifamily installation
- 5 year limited warranty when used in a commercial installation

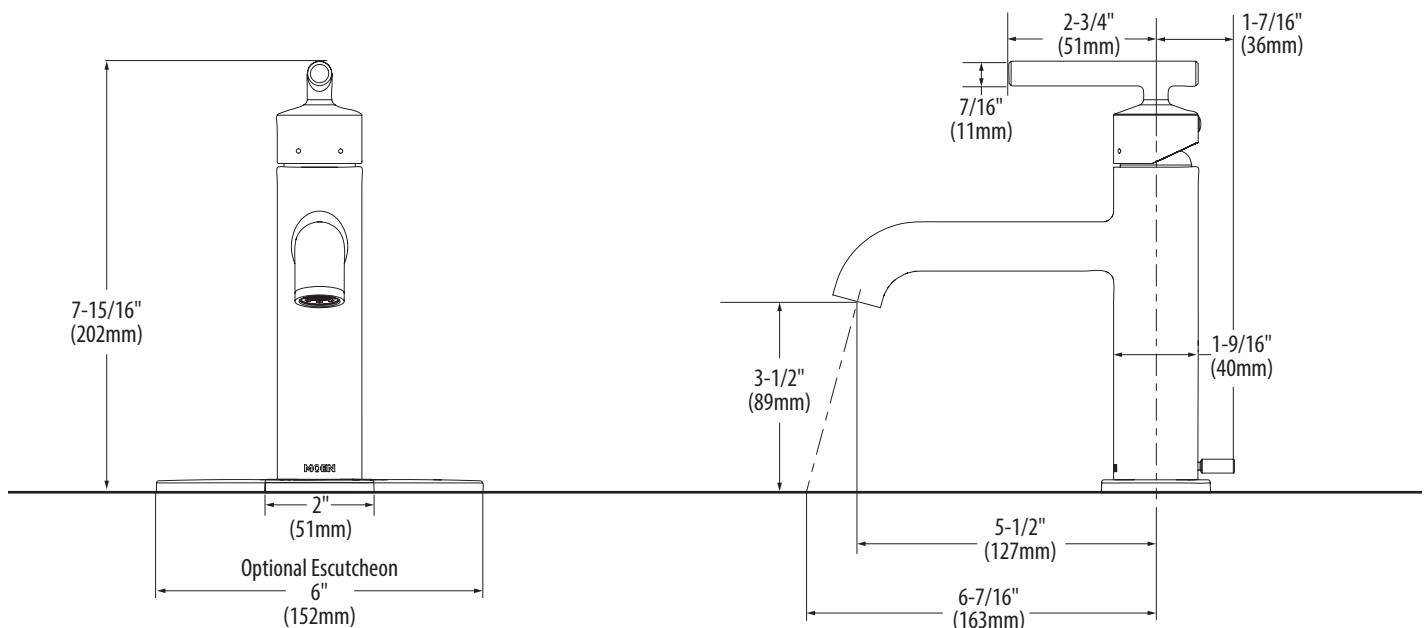
Visit www.moen.com/support for complete details and limitations



Gibson™
Single-Handle Lavatory Faucet

Models: 6145 series

NOTE: THIS FAUCET IS DESIGNED TO BE INSTALLED THROUGH 1 HOLE, 1-1/4" MIN. DIA.



CRITICAL DIMENSIONS

(DO NOT SCALE)