

# Mason® Technical Specification

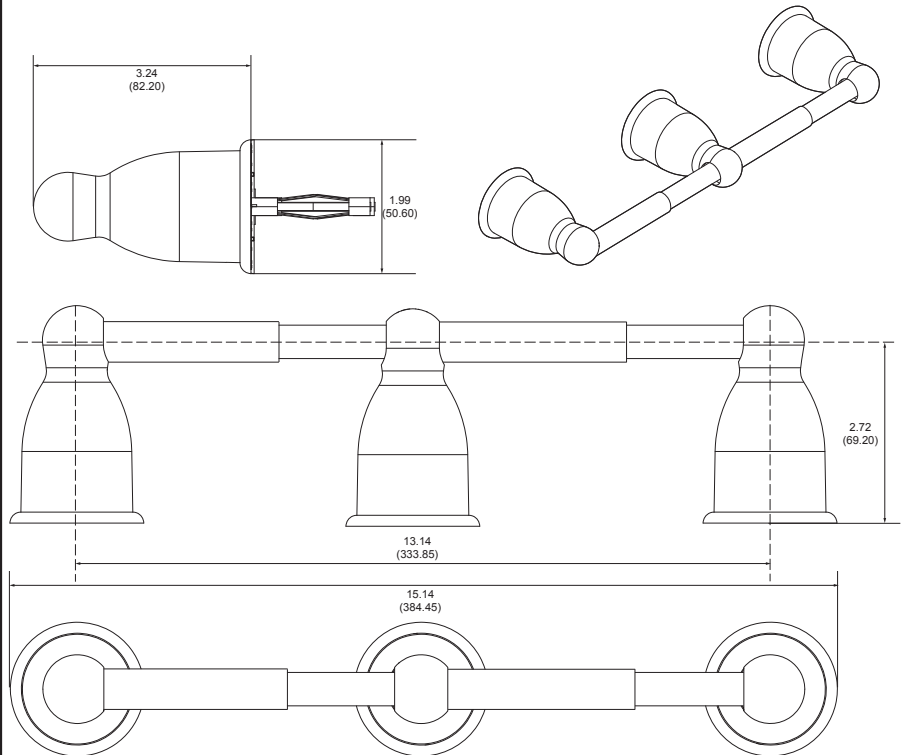
## Double Paper Holder

# YB8088

### Stock Numbers:

- **YB8088CH - Double Paper Holder**  
Chrome Finish
- **YB8088SN - Double Paper Holder**  
Satin Nickel Finish

### Dimensions:



### Materials:

**Double Paper Holder** is constructed of zinc. Roller is plastic.

### Installation Instructions:

1. Position Pro-Fit Installation Mounting Template on wall in desired location.
2. Using level align the template to the wall.
3. Using 1/4" drill bit, drill one pilot hole for each post.
4. Position mounting post to wall by inserting wall anchor into pilot hole and pressing firmly.
5. Make sure that locking tab on mounting post is facing down (6 o'clock).
6. Tighten wall anchor screw while holding mounting post firmly in place.
7. Attach post by pressing firmly to mounting post until it clicks. (The square opening at the base of the post must be facing down to match-up with locking tab.)
8. Place spring roller into each post.

### Cleaning Instructions:

To preserve the fine finish of this product, clean only with a soft damp cloth. Dry well. Do not use commercial or abrasive cleaners.

### Stock Number: YB8088 Double Paper Holder

25300 AL MOEN DRIVE • NORTH OLMSTED, OH 44070  
CORPORATE HEADQUARTERS: (800) 321-8809 • FAX: (800) 848-6636  
INTERNATIONAL: (440) 962-2000 • FAX: (440) 962-2726  
CUSTOMER SERVICE (USA) : 800-882-0116 • FAX: (888) 379-2720  
WWW.MOEN.COM

© 2014 Moen Incorporated. Moen is a registered trademark and Mason is a trademark of Moen Incorporated. All rights reserved.



Buy it for looks. Buy it for life.®