

## DESCRIPTION

- Metal Wand
- Reflex™ pulldown system offers smoother operation, easy movement and secure dock
- Powerclean™ Spray Technology for more force, less splash
- Duralock™ quick connect installation
- Metal construction with various finishes identified by suffix
- Pulldown spray with 68" braided hose
- High arc spout provides height and reach to fill or clean large pots while pulldown wand provides the maneuverability for cleaning or rinsing
- 360° rotating spout
- Flexible supply lines with 3/8" compression fittings
- Compatible with F9800 Advanced Filtration System, or F9900 Reverse Osmosis System with Air Gap 105895 Series (Sold Separately)

## OPERATION

- Decorative and non-decorative handle lever
- Three function spray wand: unfiltered stream, unfiltered powerclean spray and filtered laminar stream
- Operates with less than 5 lbs. of force
- Operates in stream or spray mode in the pulldown or retracted position
- Temperature controlled by 100° arc of handle travel

## FLOW


- Flow is limited to 1.5 gpm (5.7 L/min) at 60 psi for unfiltered water
- Flow is 0.7 gpm (2.6 L/min) for filtered water

## CARTRIDGE

- 1255™ Duralast™ cartridge for Single-Handle Faucets
- Engineered polymers, non-ferrous and stainless steel materials

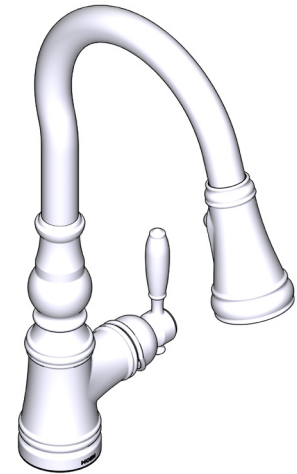
## STANDARDS

- Third party certified to ASME A112.18.1/CSA-B125.1 and all applicable requirement referenced therein including NSF61/9 & 372
- Certified by IAPMO R&T to NSF/ANSI 372 for Low Lead Content and NSF/ANSI 42, 58, and CSA B483.1 for material safety and structural integrity requirements
- Meets CalGreen and Georgia SB370 requirements
- Complies with California Proposition 65 and with the Federal Safe Drinking Water Act

- **ADA**  for lever handles
- The backflow protection system in this device consists of two independently operating check valves, a primary and a secondary which prevent backflow

## WARRANTY

- Lifetime limited warranty against leaks, drips and finish defects to the original homeowner
  - 10 year limited warranty when used in a multifamily installation
  - 5 year limited warranty when used in a commercial installation
- Visit [www.moen.com/support](http://www.moen.com/support) for complete details and limitations

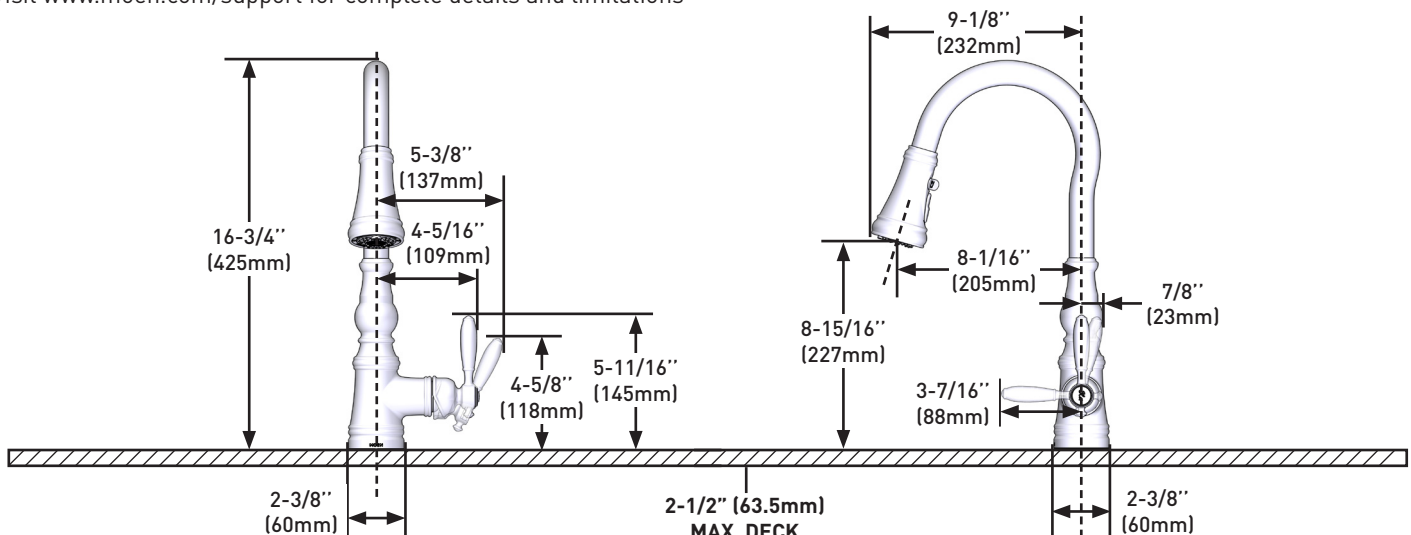


## Weymouth™

### 3-in-1 Water Filtration Pulldown Kitchen Faucet

**MODELS:** FS73004 Series

**NOTE: THIS FAUCET IS DESIGNED TO BE INSTALLED THROUGH 1 HOLE, 1-1/2" (38mm) MIN. DIA.**



**CRITICAL DIMENSIONS** DO NOT SCALE