

# Arris™ Accessories Technical Specification

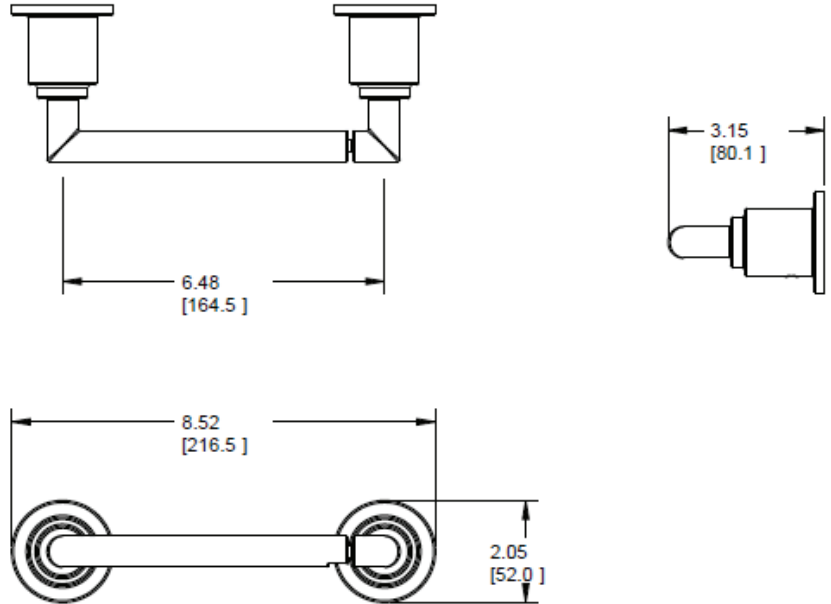
## Paper Holder

# YB0808

### Stock Numbers:

- **YB0808CH – Paper Holder**  
Chrome Finish
- **YB0808BN – Paper Holder**  
Brushed Nickel Finish
- **YB0808BL – Paper Holder**  
Matte Black Finish

### Dimensions:



### Materials:

**Paper Holder** is constructed of zinc.

### Installation Instructions:

1. Position the mounting template on the wall in the desired location.
2. Using a level, align the template and tape it to the wall.
3. Drill two 1/4" holes at each mounting post location that corresponds to your product.
4. Remove the template from the wall.
5. Disassemble screws and washers from anchors.
6. Lightly tap anchors until flush with the wall.
7. Remove mounting posts from the product assemblies by loosening each setscrew.
8. One at a time, place each mounting plate over anchors (with "UP" facing you) and insert screw and washer through plate into anchor.
9. Tighten screws until anchor is activated behind wall (approximately 45 turns) and tight.
10. Place each assembly over the mounting posts with setscrews facing down. Pivoting post with bar should be on the left side. Tighten both setscrews.

### Cleaning Instructions:

To preserve the fine finish of this product, clean only with a soft damp cloth. Dry well. Do not use commercial or abrasive cleaners.

**Stock Number:** \_\_\_\_\_ Paper Holder  
By Moen Incorporated

# MOEN®

25300 AL MOEN DRIVE • NORTH OLMSTED, OH 44070  
CORPORATE HEADQUARTERS: (800) 321-8809 • FAX: (800) 848-6636  
INTERNATIONAL: (440) 962-2000 • FAX: (440) 962-2726  
CUSTOMER SERVICE (USA): 800-882-0116 • FAX: (888) 379-2720  
WWW.MOEN.COM  
© Copyright Moen Incorporated