

# ALIGN™ Technical Specification

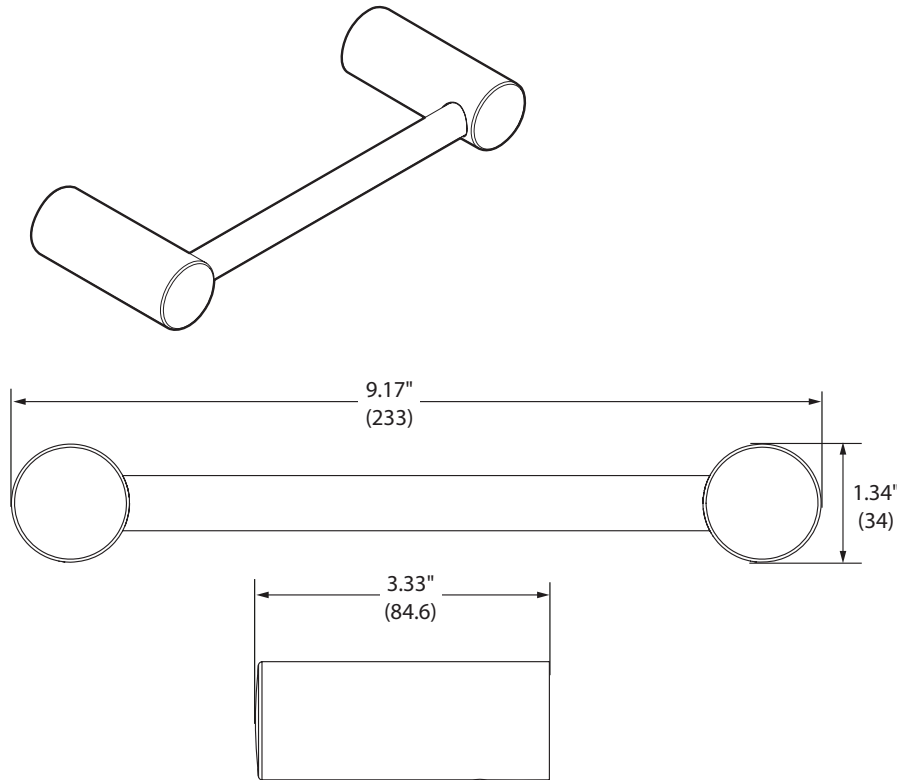
## Hand Towel Bar

YB0486

### Stock Numbers:

- YB0486CH** – Hand Towel Bar  
Chrome Finish
- YB0486BN** – Hand Towel Bar  
Brushed Nickel Finish
- YB0486BL** – Hand Towel Bar  
Matte Black Finish
- YB0486BG** – Hand Towel Bar  
Brushed Gold Finish

### Dimensions:



### Materials:

**Hand Towel Bar Posts** are constructed of zinc. **Bar** is constructed of stainless steel.

### Installation Instructions:

1. Position the mounting template on the wall in the desired location.
2. Using a level, align the template and tape it to the wall.
3. Drill two 1/4" holes at each mounting post location that corresponds to your product. (We recommend using the horizontal holes for drywall installation).
4. Remove the template from the wall.
5. Lightly tap anchors until flush with the wall.
6. Remove mounting posts from the product assemblies by loosening each setscrew.
7. One at a time, place each mounting post over anchors (notching facing downward) and insert screws through post into anchors.
8. Tighten screws.

### Cleaning Instructions:

To preserve the fine finish of this product, clean only with a soft damp cloth. Dry well. Do not use commercial or abrasive cleaners.

**Stock Number:** \_\_\_\_\_ **YB0486 Hand Towel Bar**  
By MOEN

# MOEN®

25300 AL MOEN DRIVE • NORTH OLMSTED, OH 44070  
CORPORATE HEADQUARTERS: (800) 321-8809 • FAX: (800) 848-6636  
INTERNATIONAL: (440) 962-2000 • FAX: (440) 962-2726  
CUSTOMER SERVICE (USA): (800) 882-0116 • FAX: (888) 379-2720  
WWW.MOEN.COM ©Copyright Moen, Inc.